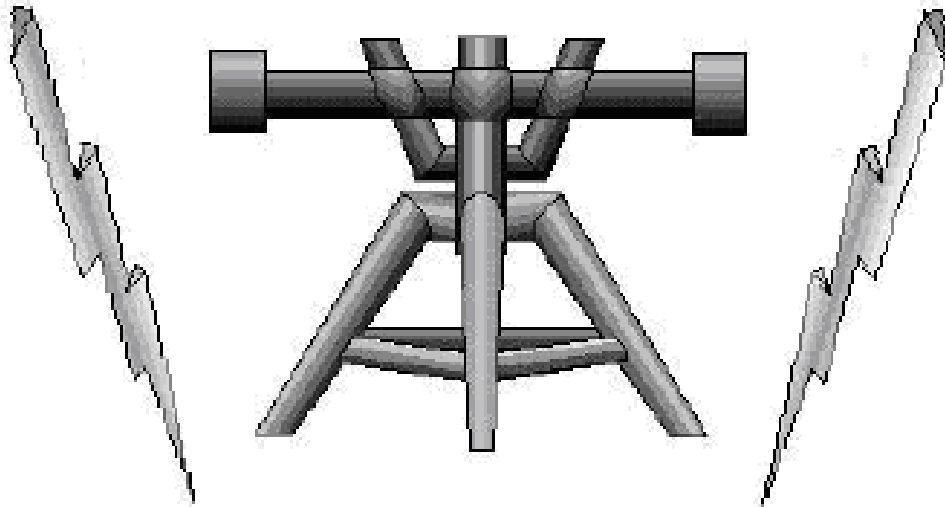




# FIRE CONTROLMAN (FC)



## RATING ROADMAP

January 2012

## CAREER ROADMAP

### Seaman Recruit to Master Chief Roadmaps

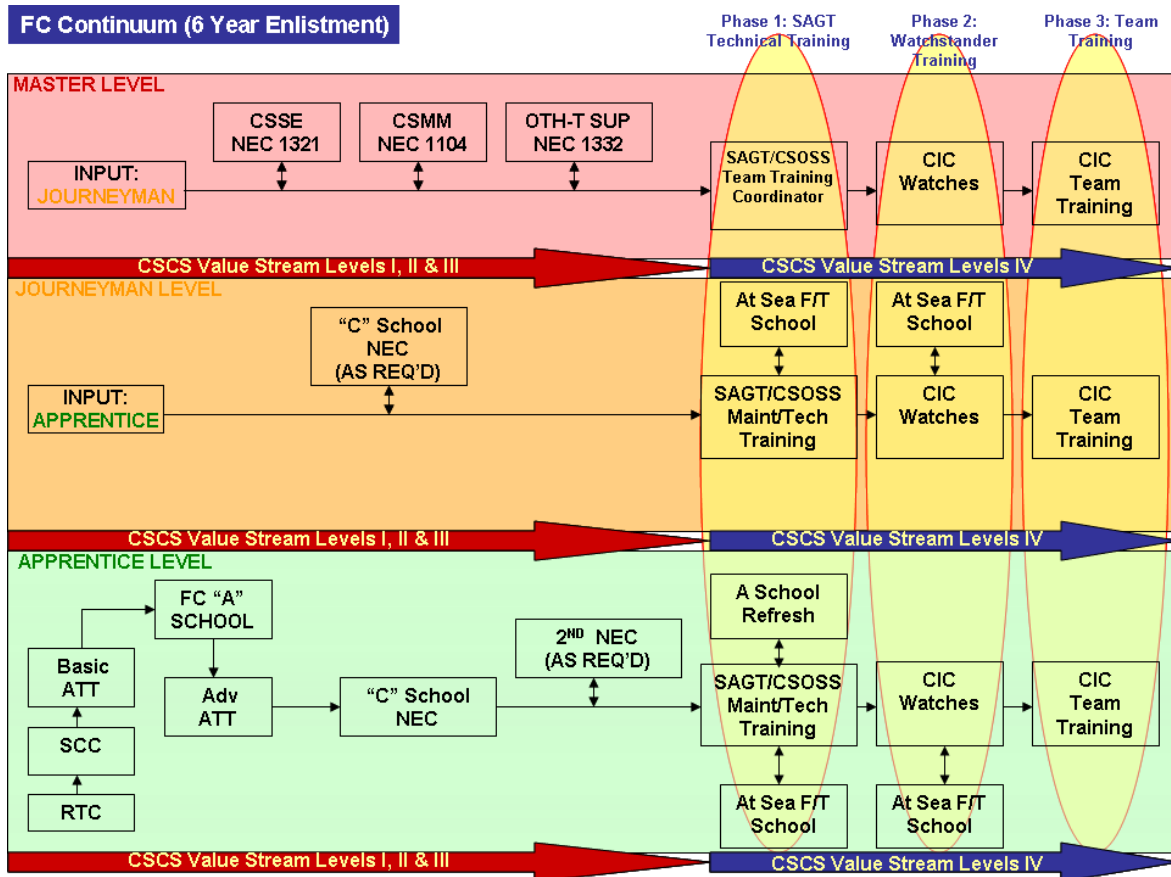
The educational roadmap below will assist Sailors in the FC community through the process of pursuing professional development and advanced education using various military and civilian resources e.g. PQS program; SMART Transcript; NKO (E-Learning); Navy College; etc. Successful leadership is the key to military readiness and will always require a high degree of technical skill, professional knowledge, and intellectual development.

### What is a Career Roadmap for FC?

FC roadmaps are just what the name implies - a roadmap through the Enlisted Learning and Development Continuum from FC Seaman Recruit through FC Master Chief. The principal focus is to standardize a program Navywide by featuring the existing skills of an FC necessary to be successful in the Navy. The ultimate goal of a roadmap is to produce a functional and competent FC.

### What is the Enlisted Learning and Development Continuum?

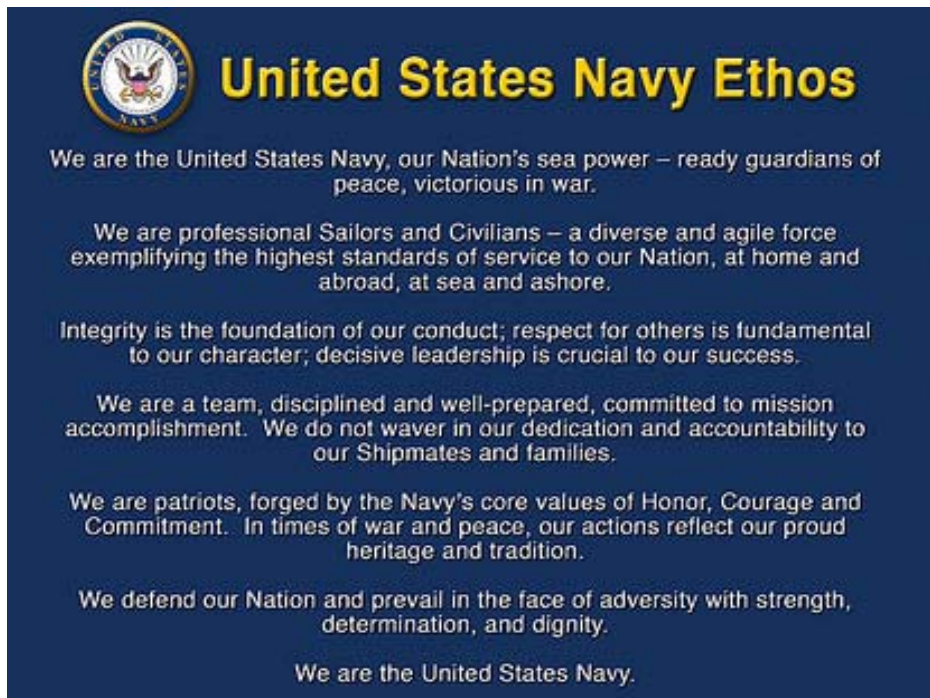
Enlisted Learning and Development Continuum is the formal title given to the curriculum and process building on the foundation of Sailorization beginning in our Delayed Entry Program through Recruit Training Command and throughout your entire career. The continuum combines skill training, professional education, well-rounded assignments, and voluntary education. As you progress through your career, early-on skill training diminishes while professional military education gradually increases. Experience is the ever-present constant determining the rate at which a Sailor trades skill training for professional development..




## Do Sailors have to follow the Roadmap?

Yes. The FC roadmap includes the four areas encompassed by the Continuum in Professional Military Education to include; Navy Professional Military Education, Joint Professional Education, Leadership and Advanced Education.

Some training and education is mandatory (Recruit Training, FC "A" School at Naval Station Great Lakes, IL, NKO (E-Learning, etc...)). Some may be directed by your chain of command (Microsoft Excel and PowerPoint courses), and the remainder is voluntary (NKO, E-Learning, college courses, etc.). Sailors are advised to seek out mentors, including your Command Master Chief, Senior Enlisted Advisor, Leading Chief Petty Officer, Leading Petty Officer and Command Career Counselor, and to make use of your Base Navy College or Education Office vast resources. All are uniquely qualified to help you along the way.



 **United States Navy Ethos**

We are the United States Navy, our Nation's sea power – ready guardians of peace, victorious in war.

We are professional Sailors and Civilians – a diverse and agile force exemplifying the highest standards of service to our Nation, at home and abroad, at sea and ashore.

Integrity is the foundation of our conduct; respect for others is fundamental to our character; decisive leadership is crucial to our success.

We are a team, disciplined and well-prepared, committed to mission accomplishment. We do not waver in our dedication and accountability to our Shipmates and families.

We are patriots, forged by the Navy's core values of Honor, Courage and Commitment. In times of war and peace, our actions reflect our proud heritage and tradition.

We defend our Nation and prevail in the face of adversity with strength, determination, and dignity.

We are the United States Navy.



**I am a United States Sailor.**

**I will support and defend the Constitution of the United States of America and I will obey the orders of those appointed over me.**

**I represent the fighting spirit of the Navy and those who have gone before me to defend freedom and democracy around the world.**

**I proudly serve my country's Navy combat team with Honor, Courage and Commitment.**

**I am committed to excellence and the fair treatment of all.**



## FIRE CONTROLMAN (FC) SEAMAN RECRUIT TO SEAMAN

NAME \_\_\_\_\_

### SKILL TRAINING

(Schools, courses and assignments directly related to occupation)

#### REQUIRED SKILL TRAINING

Course Title	Course Location	CIN/CSE ID	Course Length	Date Completed
Advanced Apprentice Technical Training	Great Lakes, IL	A-100-0151		
Fire Controlman "A" School	Great Lakes, IL	A-100-0141		
Basic Apprentice Technical Training	Great Lakes, IL	A-500-0105		
Surface Common Core	Great Lakes, IL	A-500-0022		

#### RECOMMENDED SKILL TRAINING

Course Title	Course Location	CIN/CSE ID	Course Length	Date Completed
None				

#### NAVY ENLISTED CLASSIFICATION CODE (NEC) OPPORTUNITIES

Course Title	Course Location	CIN/CSE ID	Course Length	Date Completed
NATO Sea sparrow 7M Maintenance	Norfolk, Va	A-104-0204		
AN/SPS-48E Operation and Maintenance	Norfolk, Va	A-104-0206		
MK-86 Gun Fire Control System MOD-9	Norfolk, Va	A-113-0065		
FCS MK-92 Maintenance	San Diego, Ca	A-113-0080		
MK-15 CIWS MODS 11-14	San Diego, Ca/Norfolk, Va	A-113-0114		
Gun Computer System MK-160	Norfolk, Va	A-113-0131		
Rolling Airframe Missile (RAM) MK-31	Norfolk, Va	A-113-0162		
Tactical Tomahawk Weapons Control Sys	San Diego, Ca/Norfolk, Va	A-121-0015		
Ships Self Defense System (SSDS) Mk2	Norfolk, Va	A-150-0029		
FFG-7/36/31NFCS Maint/Operator	San Diego, Ca/Norfolk, Va	A-150-0135		
CV/CVN Combat Direction System	Norfolk, Va	A-150-0260		
LHD Computer/Peripheral	Norfolk, Va	A-150-0271		
LHA Adv CDS	Norfolk, Va	A-150-0300		
Harpoon Weapons System Maint.	Norfolk, Va	J-500-2104		
AEGIS Radar System SPY-1A	Dahlgren, Va	S-104-0191		
AEGIS Radar System SPY-1B/D	Dahlgren, Va	S-104-0210		
AEGIS FCS/ORTS	Dahlgren, Va	S-104-0211		
AEGIS Radar System SPY-1D(v)	Dahlgren, Va	S-104-0996		
AEGIS Computer Operations and Maint.	Dahlgren, Va	S-150-0274		
AEGIS Display System TRK 3	Dahlgren Va.	S-150-0275		
AEGIS Computer Network Technician	Dahlgren, Va.	S-150-0277		

**JOB DESCRIPTION:** Support command and Navy mission by employing knowledge, skills, and abilities obtained during formal and on-the-job training events to perform corrective and preventive maintenance on systems assigned and tasks directed by the chain of command and those appointed over you.

**RECOMMENDED BILLET ASSIGNMENTS:** Maintenance technician afloat

**PERSONAL AND PROFESSIONAL DEVELOPMENT (Completed at reporting 30 day Career Development Board)**

Command Address: \_\_\_\_\_ QD Phone Number: \_\_\_\_\_  
\_\_\_\_\_

Division Officer: \_\_\_\_\_ Phone Number: \_\_\_\_\_

Leading Chief Petty Officer: \_\_\_\_\_ Phone Number: \_\_\_\_\_

Leading Petty Officer: \_\_\_\_\_ Phone Number: \_\_\_\_\_

Sponsor/Mentor: \_\_\_\_\_ Phone Number: \_\_\_\_\_

Depart/Division Career Counselor: \_\_\_\_\_ Phone Number: \_\_\_\_\_

ADSD: \_\_\_\_\_ REPORT DATE: \_\_\_\_\_ EAOS: \_\_\_\_\_ PRD: \_\_\_\_\_ SEA / SHORE: \_\_\_\_/\_\_\_\_  
PAYGRADE E1/E2 (9 months time in service required for advancement to E-2 and E-3)  
PAYGRADE E3 (6 months time in service required to be eligible for advancement to E-4)

Date Advanced: \_\_\_\_\_ Eligible Advancement Date: \_\_\_\_\_ Number of times up: \_\_\_\_\_ HYT Date: \_\_\_\_\_

Security Clearance Level \_\_\_\_\_ Date Last updated: \_\_\_\_\_ Command INDOC complete \_\_\_\_\_

**CAREER DEVELOPMENT BOARDS:** Use with OPNAVINST 1040.11(series) & Career Counselor Handbook  
Reason for Convening/Discussion Items: (Upon completion update (CIMS) Career Information Management System)

Reporting (within 30 days for active duty or three drill weekends for SELRES) (Date Conducted): \_\_\_\_\_

6 month progress check (Date Conducted): \_\_\_\_\_ 12 Months \_\_\_\_\_ 24 Months \_\_\_\_\_

36 Months \_\_\_\_\_ 48 Months \_\_\_\_\_ 60 Months \_\_\_\_\_ Special Program/Member Request \_\_\_\_\_

Advancement Center: Visit NKO Navy Advancement page located under the Career Management Tab

Bibliography for Advancement \_\_\_\_\_ Correspondence Courses \_\_\_\_\_ Catalog of Courses \_\_\_\_\_

Enlisted Advancement Exam Strategy Guide \_\_\_\_\_ Profile Sheets \_\_\_\_\_ Exam Discrepancy List \_\_\_\_\_

Commissioning Programs Applications (Conducted): \_\_\_\_\_ (prior to submission, command endorsement)

Enlisted to Officer Commissioning Program Application & Administration Manual OPNAVINST 1420.1(series):

Seaman to Admiral 21 (STA-21): \_\_\_\_\_ Medical Enlisted Commissioning Program (MECP): \_\_\_\_\_

Naval Academy: \_\_\_\_\_ Naval Academy Preparatory School (NAPS): \_\_\_\_\_ Officer Candidate School: \_\_\_\_\_

Physical Fitness Test Failure (Conducted): \_\_\_\_\_

HYT 24 months (Date): \_\_\_\_\_ HYT 12 months (Date): \_\_\_\_\_ HYT Waiver Date: \_\_\_\_\_ Approve/Disapprove

Rating Conversion: \_\_\_\_\_ Navy Formal Training Schools Request ("A"/"C"etc): \_\_\_\_\_

Transfer: \_\_\_\_\_ Early Separation: \_\_\_\_\_ Career Status Bonus/Retirement Options: \_\_\_\_\_

**Career Management Calendar:** <https://www.nko.navy.mil/portal/careermanagement/home/careermanagementcalendar>

**QUALIFICATIONS AND CERTIFICATIONS**

<b>Sea/Shore General Qualifications Watch Standing Qualifications</b>	<b>Report Date</b>	<b>Completion Date (If qualification is not required place N/A in this Block)</b>
Ship Board Fire Fighting		
Aviation Fire Fighting		
General Damage Control		
Advanced Damage Control		
3M 301		
3M 302		
3M 303		
3M 304		
Messenger of the Watch (MOOW)		
Petty Officer of the Watch (POOW)		
Roving Patrol (Rover)		
Small Weapon Qualification (9mm, Rifle, Shotgun)		
CSOSS PQS		
Personal Qualifications Standard		

[Mandatory warfare qualification for enlisted Sailors assigned to designated warfare qualifying commands:](#)

<b>Warfare qualification programs</b>	<b>Report Date</b>	<b>Completion Date (If qualification is not required place N/A in this Block)</b>
Surface Warfare Specialist		
Aviation Warfare Specialist		

<b>Rate Specific/Department Qualifications (Add)</b>	<b>Report Date</b>	<b>Completion Date (If qualification is not required place N/A in this Block)</b>
Various Reaction Force Watches		
Security Alert Team		
Backup Alert Force		

## CERTIFICATIONS

The following post military occupations are similar to the Fire Controlman Rating. For more information about these occupations, visit NAVY COOL at <https://www.cool.navy.mil>.

Occupation (Civilian Employer)
Computer Hardware Engineers
Computer Systems Analysts
Computer, Automated Teller, and Office Machine Repairers
Data Entry Keyers
Electrical and Electronics Repairers, Commercial and Industrial Equipment
Explosives Workers, Ordnance Handling Experts, and Blasters
First-Line Supervisors of Mechanics, Installers, and Repairers
Helpers--Installation, Maintenance, and Repair Workers
Inspectors, Testers, Sorters, Samplers, and Weighers
Network Systems and Data Communications Analysts
Radio Operators
Software Developers, Systems Software
Telecommunications Equipment Installers and Repairers, Except Line Installers
Training and Development Managers
<b>Military Sealift Command</b>
Chief Radio Electronics Technician

Occupation (Federal Employer)
0804 - Fire Protection Engineering Series
0855 - Electronics Engineering Series
0856 - Electronics Technical Series
1550 - Computer Science Series
2608 - Electronic Digital Computer Mechanic
2610 - Electronic Integrated Systems Mechanic
9944 - Electronics Technician

**Navy COOL:** The following certifications and licenses are applicable to the FC rating. They may require additional education, training or experience.

Target paygrade	Certifying Agency Web Site	Credential Title	Years Experience Required	Comp. date
E4	<a href="#">Computing Technology Industry Association (CompTIA)</a>	CompTIA Certified Technical Trainer (CTT+)	0	
E5	<a href="#">Electronics Technicians Association, International (ETA-I)</a>	Fiber Optics Technician (FOT)	0	
E5	<a href="#">Electronics Technicians Association, International (ETA-I)</a>	Certified Computer Service Technician (CST)	0.5	
E5	<a href="#">Electronics Technicians Association, International (ETA-I)</a>	Fiber Optics Installer (FOI)	0.5	
E6	<a href="#">Electronics Technicians Association, International (ETA-I)</a>	Certified Network Computer Technician (CNCT)	1	
E6	<a href="#">Electronics Technicians Association, International (ETA-I)</a>	Certified Network Systems Technician (CNST)	1	
E6	<a href="#">Hewlett Packard (HP)</a>	Certified Systems Administrator (CSA)	1	
E2	<a href="#">American Board for Certification in Homeland Security (ABCHS)</a>	Certified in Disaster Preparedness (CDP-I)	1 - 5	
E6	<a href="#">Electronics Technicians Association, International (ETA-I)</a>	Associate Electronics Technician (CETa)	<2	
E4	<a href="#">American Board for Certification in Homeland Security (ABCHS)</a>	Certified in Homeland Security Level I (CHS-I)	2	

E4	American Board for Certification in Homeland Security (ABCCHS)	Certified in Homeland Security Level II (CHS-II)	Level I Prereq	
E4	American Board for Certification in Homeland Security (ABCCHS)	Certified in Homeland Security Level III (CHS-III)	Level II Prereq	
E5	American Board for Certification in Homeland Security (ABCCHS)	Certified in Homeland Security Level IV (CHS-IV)	Level III Prereq	
E5	American Board for Certification in Homeland Security (ABCCHS)	Certified in Homeland Security Level V (CHS-V)	Level IV Prereq	
E6	Electronics Technicians Association, International (ETA-I)	RADAR Electronics Technician (RAD)	2	
E6	Electronics Technicians Association, International (ETA-I)	Telecommunications Electronics Technician - Journeyman (TCM)	2	

Visit Navy COOL <https://www.cool.navy.mil> for additional Credentials that you may qualify to earn; however funding may be limited to your GI bill or DANTES.

**USMAP (UNITED SERVICES MILITARY APPRENTICESHIP PROGRAM):**

	Comp. date
Electronics Technician (Professional & Kindred) (0169C)	
Electronics Technician (Professional & Kindred)	
Electronics Mechanic	
Electronics Mechanic (Any Industry)	
Optical-Instrument Assembler (Optical Goods)	
Ordnance Artificer (Government Service)	
Electronics Tester	
Computer Programmer (Professional & Kindred)	
Computer-Peripheral-Equipment Operator (Clerical)	

Visit USMAP <https://usmap.cnet.navy.mil/usmapss/static/usmap.jsp> for additional information



---

**STAY NAVY**

REENLIST / EXTEND: Request Chit/Form: \_\_\_\_\_ Perform to Serve (PTS) Approval Message: \_\_\_\_\_

Selective Conversion and Reenlistment (SCORE): \_\_\_\_\_ Reserve Selective Conversion and Reenlistment (RESCORE): \_\_\_\_\_

Selective Training and Reenlistment (STAR): \_\_\_\_\_ Guaranteed Assignment in Detailing (GUARD 2000): \_\_\_\_\_

School as a Reenlistment Incentive: \_\_\_\_\_ Career Management System (CMS/ID): \_\_\_\_\_

Medical/Dental Screening: \_\_\_\_\_ Command Recommendation (evaluation): \_\_\_\_\_ Bonus: \_\_\_\_\_ Ceremony: \_\_\_\_\_

**PERFORM TO SERVE (PTS) FLEET RIDE:**

The Command Career Counselor is your local advocate to assist you with the Perform to Serve (PTS) application process.

- All E3-E6 Sailors with less than 14 years of service must submit a PTS application, regardless of reenlistment intentions.
- Applications must be submitted no later than 12 months prior to expiration of active obligated service (EAOS) or projected rotation date (PRD) if obligated service is required, whichever occurs first.
- Sailors may submit PTS applications up to 12 months prior to EAOS/PRD. (under special circumstances)
- Applications for selected reserve (SELRES) quotas may be submitted between 12 months and 3 months prior to EAOS
- Monthly reenlistment quotas are limited and must be reserved for our best and brightest Sailors who desire to Stay Navy. Sailors must choose one of the following based on their desires and qualifications:
  - Reenlist-in-Rate,
  - Reenlist-in-Rate or Convert to another rating
  - Convert to another rating (only)
  - SELRES option
- Upon completion of the monthly process, PTS results will be available to command users via PTS Monthly report section of the PTS/Fleet RIDE program.
- Additional guidance can be found in MILPERSMAN 1440-060 and NAVADMIN 352/10, see your Career Counselor

**TRANSFER:**

<u>15 Months</u>	<u>12 Months</u>	<u>9 Months</u>	<u>6 Months</u>	<u>Orders Received</u>
PTS _____	PTS _____	PTS _____	Accept Orders _____	Screening _____
Exception Family Member _____	EFM _____	CMS/ID _____	Reverse Sponsor _____	Obligate _____
CMS/ID _____	CMS/ID _____	SRB _____	Relocation (FFSC) _____	Bonus _____
Continuous Overseas Tours (COT) _____			Medical/Dental _____	
Overseas Tour Extension Incentive Program (OTEIP) _____			SRB _____	

For additional assistance in transfer and relocation, go to: <http://www.npc.navy.mil/CareerInfo/PerformtoServe>

---

**SEPARATING/RETIRE**

<u>18 -12 months</u>	<u>6 months</u>	<u>90 days</u>	<u>30 days</u>
Attend TAP/RTAP _____	MED/DEN _____	Copy of Records _____	Copy of Records _____
Complete DD2648PSD _____	Relocation _____	Official Record CD _____	PSD _____
Transition Planning _____	Relocation Services (FFSC) _____	Arrange Ceremony _____	MED/DEN _____
	Reserve Affiliation _____	Request Leave / PTDY _____	
	VA/DVA _____		

**PROFESSIONAL MILITARY EDUCATION**

(Resident and non-resident coursework designed to enhance a Sailor’s general military professional knowledge and abilities)

**EDUCATION: (Prior to considering any pursuit of off duty education or program enrollment VISIT YOUR NAVY COLLEGE OFFICE or call the Virtual Education Center (VEC!!!))**

Education Plan Completed (Navy College Office/VEC \_\_\_\_\_) Current Education Level \_\_\_\_\_

Degree Goal \_\_\_\_\_

\*\*Various distance learning degree options are available using, Sailor and Marine Online Academic Advisor (SMOLAA)\*\*

Goal: Date: AA/AS \_\_\_\_\_ BA/BS \_\_\_\_\_ Master \_\_\_\_\_ Doctorate \_\_\_\_\_  
 (Credits to earn a degree - AA/AS: 60 SH/90 QH, BA/BS: 120 SH/180, QH, Master /Doctorate: Variable based on program)

Number of current credits \_\_\_\_\_ American Council on Education (ACE) recommended credits \_\_\_\_\_

SOCNAV Agreement \_\_\_\_\_ SMART Transcripts \_\_\_\_\_ HS Transcripts \_\_\_\_\_ College Transcripts \_\_\_\_\_

Date Degree Obtained: AA/AS \_\_\_\_\_ BA/BS \_\_\_\_\_ Master \_\_\_\_\_ Doctorate \_\_\_\_\_

For entry into SMART, Send official transcripts to:  
 Center for Personal and Professional Development  
 Attn: Virtual Education Center  
 1905 Regulus Avenue, Ste. 234  
 Virginia Beach VA 23461-2009  
 Phone: 1-877-838-1659  
 Comm: 757-492-4684  
 FAX: 757-492-5095  
 DSN: 492-4684  
 Email: [VEC@navy.mil](mailto:VEC@navy.mil)

**VOLUNTARY EDUCATION (Study guides and exam preparations and practice test located on NKO)**

Academic skills \_\_\_\_\_ NCPACE \_\_\_\_\_ CLEP \_\_\_\_\_ DSST \_\_\_\_\_ TA \_\_\_\_\_ MGB \_\_\_\_\_ Post 9/11 GIB \_\_\_\_\_

**E1/E2/E3 REQUIRED NAVY PME:**

Course Title	Course Location	CIN/CSE ID	Course Length	Date Completed
Required General Military Training (GMT)	Command Delivered			
Driving for Life	NKO	CPD-DFL-01	5 Hours	
DON/DOD Information Assurance Training	NKO	DOD-IAA-V8.0	1 Hour	
Trafficking in Persons Basic Awareness Training	NKO	jkddc-tip-1 US	4 Hours	
ATFP Level I Awareness for Service Members (CONUS)	NKO	CANSF-ATFP-CONUS-1.0	1 Hour	
ATFP Level I Awareness Training for Overseas Service Member (OCONUS)	NKO	CANSF-ATFP-OCONUS-1	1 Hour	
Alcohol Aware	Command Delivered	S-501-0160	4 Hours	
PREVENT	Command Delivered	S-501-0150	24 Hours	

**E1/E2/E3 REQUIRED COMMUNITY PME:**

Course Title	Course Location	CIN/CSE ID	Course Length	Date Completed
None				

**E1/E2/E3 RECOMMENDED NAVY PME:**

Course Title	Course Location	CIN/CSE ID	Course Length	Date Completed
Introductory Enlisted Professional Military Education (IEPME)	NKO	Military DON/ PME	20 Hours Total	
Block 1 Introductory EPME - Introduction	NKO	IEPME-INTRO-B1		
Block 2 Introductory EPME - History and Traditions	NKO	IEPME-INTRO-B2		
Block 3 Introductory EPME - Enlisted Professionalism	NKO	IEPME-INTRO-B3		
Block 4 Introductory EPME - Policy and the Navy	NKO	IEPME-INTRO-B4		
Block 5 Introductory EPME - Planning for Operations	NKO	IEPME-INTRO-B5		
Block 6 Introductory EPME - Regional and Cultural Awareness	NKO	IEPME-INTRO-B6		
Block 7 Introductory EPME - Technology in the Maritime Domain	NKO	IEPME-INTRO-B7		
Block 8 Introductory EPME - Conclusion	NKO	IEPME-INTRO-B8		
Cultural Awareness	NKO or College Course	Foreign Language and Culture	45 hrs	
Peterson's Online Academic Skills Course				
Verbal	NKO			
Math	NKO			
Navy Reserve Fundamentals for Active Duty Course	NKO	NAVRESFOR-NRF-2.0	10 hours	
ORM All Navy Fundamentals	NKO	CPD-GMT07-011	1 hour	
Nutrition	NKO	NMHCI2107V2.1	1 hour	
Personal Financial Management	NKO	CPD-PFM-1.0	8 hours	
College/Certification Testing Programs Reviews	NKO			

**Courses With Recommended Reserve Points:**

Click this link for an Excel file of all Navy E-Learning courses offering "RECOMMENDED" reserve points. **NOTE:** Commander Navy Reserve Forces (CNRF) N7 determines the number of reserve points awarded for completion of a course taken on Navy E-Learning. This listing should only be used as a guide and is subject to change by direction of CNRF N7. **Navy E-Learning has no control over how many, if any, reserve points are eventually awarded for the completion of a course. All questions concerning the award of reserve points should be directed to CNRF N7.**  
[https://file-lms-cont01.nko.navy.mil/training/Courses\\_With\\_Recommended\\_Reserve\\_Points.xls](https://file-lms-cont01.nko.navy.mil/training/Courses_With_Recommended_Reserve_Points.xls)

**RECOMMENDED RESERVE PME:**

Course Title	Course Location	CIN/CSE ID	Course Length	Date Completed
NROWS Orders Administration Course	NKO	R-500-0140/02PG /DoN	8 hours	
Naval Reserve Center Commanding Officer Officer In Charge	NKO	CNRFC-COOIC-1.0 /DoN	8 hours	
Guidance for Mobilization	NKO	CNRFC-GMB-1.1 /DoN	4 hours	
Military Sealift Command 101	NKO	CNRFC-MSC101 /DoN 1.1	24 hours	
Non-Prior Service Accession Program	NKO	CNRFC-NPSAP-2 /DoN 0	23 hours	

**RECOMMENDED COMMUNITY PME:**

Course Title	Course Location	CIN/CSE ID	Course Length	Date Completed
Basic Military Requirements (BMR for E1-E4)	NKO/Navy E-Learning:	IEPME-INTRO-B1 thru B8		

## NAVY PROFESSIONAL READING PROGRAM:

The purpose of the Navy Reading Program is to facilitate the professional and personal development of all Sailors, seaman to admiral, active and reserve. Simply reading for pleasure is certainly encouraged, but the NPRP will facilitate reading material that may help develop skills and abilities that can be helpful in both your professional and personal lives.

<http://www.navyreading.navy.mil/>

### JUNIOR ENLISTED COLLECTION

Title	Completed
Lincoln on Leadership: Executive Strategies for Tough Times <i>by Donald T. Phillips</i>	
Starship Troopers <i>by Robert A. Heinlein</i>	
A Sailor's History of the U.S. Navy <i>by Thomas J. Cutler</i>	
Life in Mr. Lincoln's Navy <i>by Dennis J. Ringle</i>	
Flags of Our Fathers <i>James Bradley</i>	
D Day: June 6, 1944: The Climactic Battle of World War II <i>by Stephen E. Ambrose</i>	
Lone Survivor; The Eyewitness Account of Operation Redwing and the Lost Heroes of Seal Team 10 (new) <i>by Marcus Luttrell</i>	
The Kite Runner <i>by Khaled Hosseini</i>	
The Declaration of Independence and Other Great Documents of American History 1775-1865 <i>by John Grafton</i>	
Ender's Game <i>by Orson Scott Card</i>	
The 7 Habits of Highly Effective People <i>by Stephen R. Covey</i>	
Time Management from the Inside Out, second edition: The Foolproof System for Taking Control of Your Schedule--and Your Life <i>by Julie Morgenstern</i>	

Note: Required to recite Sailor's Creed

### RECOMMENDED COMMUNITY READING

Title	Completed
FC Volumes	
GM Volumes	
Naval Electronics Engineering Training Series (NEETS) Modules	
Theory of Combat Systems Alignment Manual (CSAM)	
Combat Systems Operational Sequencing System (CSOSS) Manuals (For your specific platform)	
Aegis Caps & Lims	
TACMEMOs (for your specific platform/system)	

## **REFERENCES**

### **Navy Enlisted Learning and Development Programs:**

- Learning and Development Roadmap for Enlisted Sailors, OPNAVINST 1500.77(series)
- Navy Retention and Career Development Program, OPNAVINST 1040.11(series)
- Career Counselor Handbook, NAVPERS 15878
- Command Sponsor and Indoctrination Program OPNAVINST 1740.3(series) (Sponsor assigned within 10 days of orders received / Indoctrination completed as soon as possible and practicable but NLT 90 days)
- Command Sponsorship of Dependents at Overseas Duty MILPERSMAN 1300-150 to 1300-210
- Guaranteed Assignment Retention Detailing Program GUARD 2000, MILPERSMAN 1306-1002/1004
- Navy Enlisted Warfare Qualification Program OPNAVINST 1414.9 (series)
- Master Training Specialists (MTS) NETCINST 1500.2(series)
- Command Master Chief Program OPNAVINST 1306.2 (series)

### **Reenlistments and Extensions:**

- Agreement of Enlisted Naval Reservist, Inductees and Fleet Reservists to remain on Active Duty MILPERSMAN 1160-060
- Career Reenlistment Objectives (use latest CREO NAVADMIN)
- Extension of Enlistment MILPERSMAN 1160-040
- Overseas Tour Extension Incentives Program (OTEIP) MILPERSMAN 1306-300
- Consecutive Overseas Tours (COT) Leave Travel Entitlement Policy MILPERSMAN 1050-410
- Perform to Serve (PTS) MILPERSMAN 1440-060
- Reenlistment Ceremony MILPERSMAN 1160-020
- Reenlistment Leave MILPERSMAN 1050-040
- Required Counseling upon Enlistment and Reenlistment MILPERSMAN 1160-031
- Selective Conversion and Reenlistment (SCORE) Program MILPERSMAN 1160-090
- Selective Reenlistment Bonus (Use Latest SRB NAVADMIN)
- Selective Training and Reenlistment (STAR) Program MILPERSMAN 1160-100
- School as a Reenlistment Incentive MILPERSMAN 1306-1006

### **Fleet Reserve and Retirements:**

- Casualties and Survivor Benefits (SBP) MILPERSMAN 1770 to 1770-250
- Disability Retirement MILPERSMAN 1850-020 to 1850-040
- Fleet Reserve and Retirement MILPERSMAN 1800-010 to 1800-070
- Household Goods and Personal Property (PCS and Retirees) MILPERSMAN 4050-010 to 020
- Permissive Temporary Duty (PTDY) MILPERSMAN 1320-220
- Transition Assistance Management Program OPNAVINST 1900.2(series) (Initiate a DD-2648-1 NLT 90 Days Prior to Separation and attend workshop 12 months prior to separation/Fleet Reserve/Retirement date)

### **Enlisted Administrative Separations:**

- Alcohol Rehabilitation Failure MILPERSMAN 1910-152
- Drug Abuse MILPERSMAN 1910-146
- Early release to further education MILPERSMAN 1910-108
- Enlisted Administrative Separation Policy MILPERSMAN 1910-010 to 1910-812
- Fraudulent Enlistment MILPERSMAN 1910-134
- High Year Tenure (HYT) AC MILPERSMAN 1160-120 / RC 1160-130
- Misconduct (various reasons) MILPERSMAN 1910-138/140/142
- Parenthood and Pregnancy SECNAVINST 1000.10(series) & MILPERSMAN 1910-124
- Personality Disorder MILPERSMAN 1910-122
- Physical Fitness Assessment Failure MILPERSMAN 1910-170
- Serious Offense MILPERSMAN 1910-142
- Unsatisfactory Performance MILPERSMAN 1910-156

### **Advancement & Service Schools:**

- Advancement BUPERSINST 1430.16(series)
- Accelerated Advancement MILPERSMAN 1430-010
- Enlisted to Officer Commissioning Program Application & Administration Manual OPNAVINST 1420.1(series)
- Service Schools 1306-600/602/604/608
- Class “A” School & Rating Entry Requirements MILPERSMAN 1306-618
- Retesting with the Armed Forces Classification Test version of the Armed Services Vocational Aptitude Battery (ASVAB) MILPERSMAN 1236-010
- Professional Apprenticeship Tracks Program (PACT) NAVADMIN 318/07

### **Education:**

- Joint Chiefs Professional Military Education (PME) Manual 1805.01
- Navy Voluntary Education Program (Navy Campus) OPNAVINST 1560.9(series)
- Tuition Assistance Management Controls NAVADMIN 161/07 / NETC LTR Execution Guidelines 1560 Ser N00178, Aug 07
- Navy Credentialing Program OPNAVINST 1540.56
- Uniformed Services Military Apprenticeship Programs OPNAVINST 1560.10(series)

### **Other Quick References:**

- Change in Rank, Rate or Rating MILPERSMAN 1440-010 to 1440-050
- Drug and Alcohol Prevention Control Program OPNAVINST 5350.4(series)
- Exchange of Duty (SWAPS) MILPERSMAN 1306-700
- First Term Personnel Assignment Policy MILPERSMAN 1306-126
- Individual Augmentation (IA) Policy and Procedures OPNAVINST 1001.21(series)
- Military Couple and Single Parent Assignment Policy MILPERSMAN 1300-1000
- Military Pay MILPERSMAN 7220-010 to 7220-390
- Overseas tour Extensions MILPERSMAN 1300-310
- Physical Readiness Program OPNAVINST 6110.1(series) / MILPERSMAN 6100-6199
- Reassignment for Humanitarian reasons (HUMS) MILPERSMAN 1300-500
- Standard Policy and Procedures for the Active Duty for Special Work (ADSW) & 1 year Recall Program OPNAVINST 1001.20(series)
- Operational Risk Management OPNAVINST 3500.39C