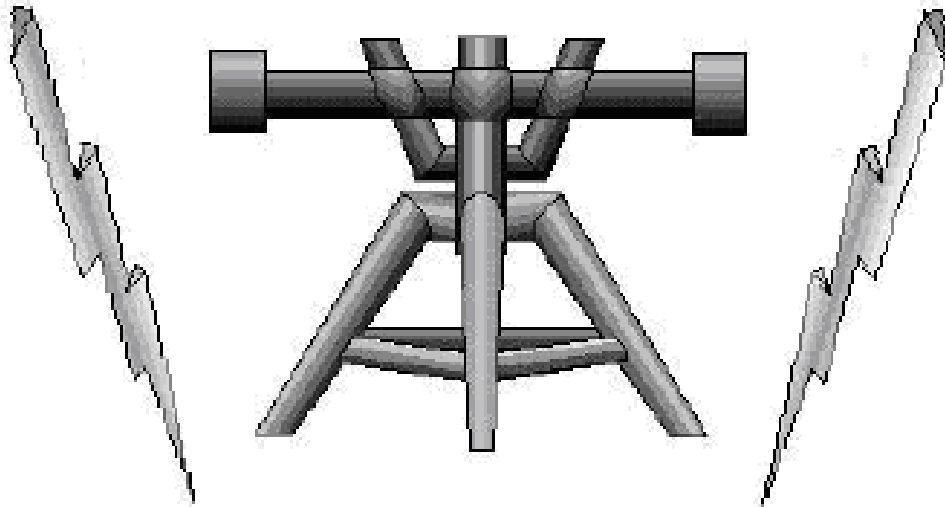




# FIRE CONTROLMAN (FC)



## RATING ROADMAP

January 2012

## CAREER ROADMAP

### Seaman Recruit to Master Chief Roadmaps

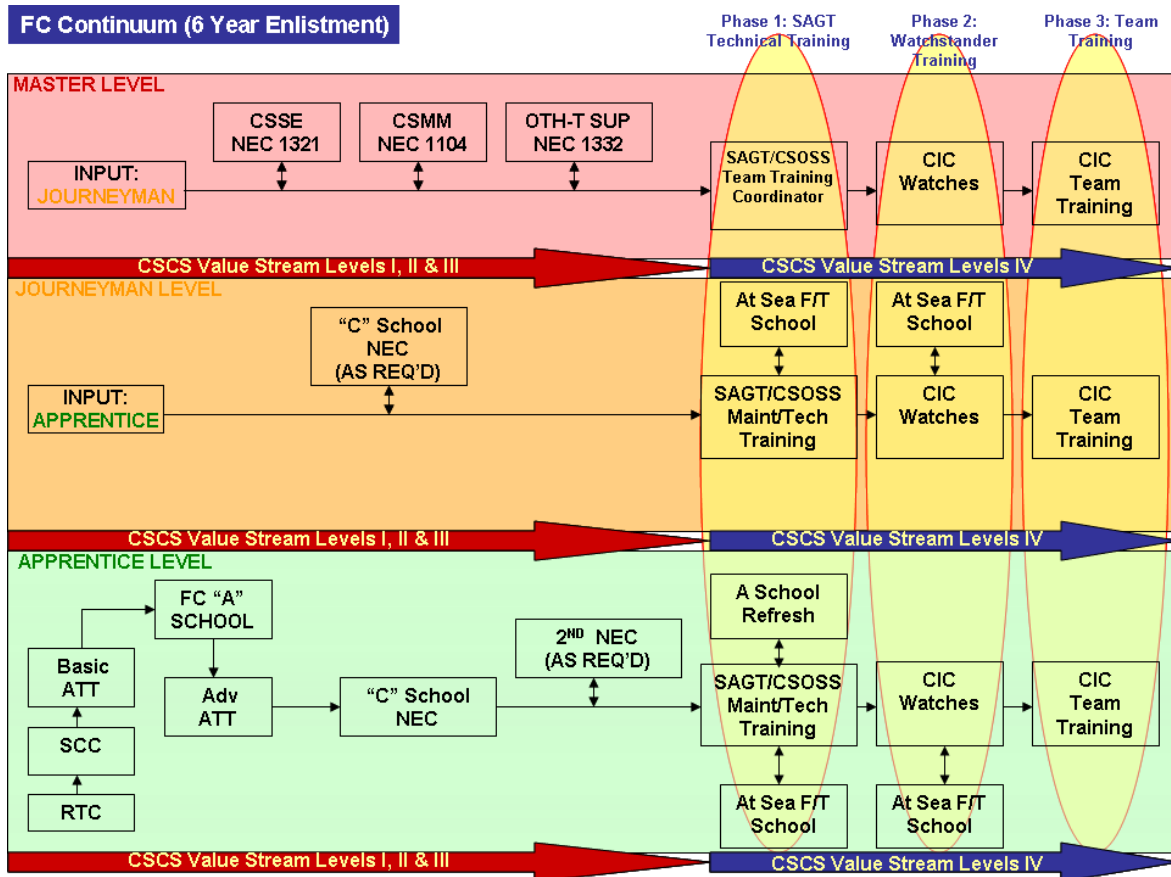
The educational roadmap below will assist Sailors in the FC community through the process of pursuing professional development and advanced education using various military and civilian resources e.g. PQS program; SMART Transcript; NKO (E-Learning); Navy College; etc. Successful leadership is the key to military readiness and will always require a high degree of technical skill, professional knowledge, and intellectual development.

### What is a Career Roadmap for FC?

FC roadmaps are just what the name implies - a roadmap through the Enlisted Learning and Development Continuum from FC Seaman Recruit through FC Master Chief. The principal focus is to standardize a program Navywide by featuring the existing skills of an FC necessary to be successful in the Navy. The ultimate goal of a roadmap is to produce a functional and competent FC.

### What is the Enlisted Learning and Development Continuum?

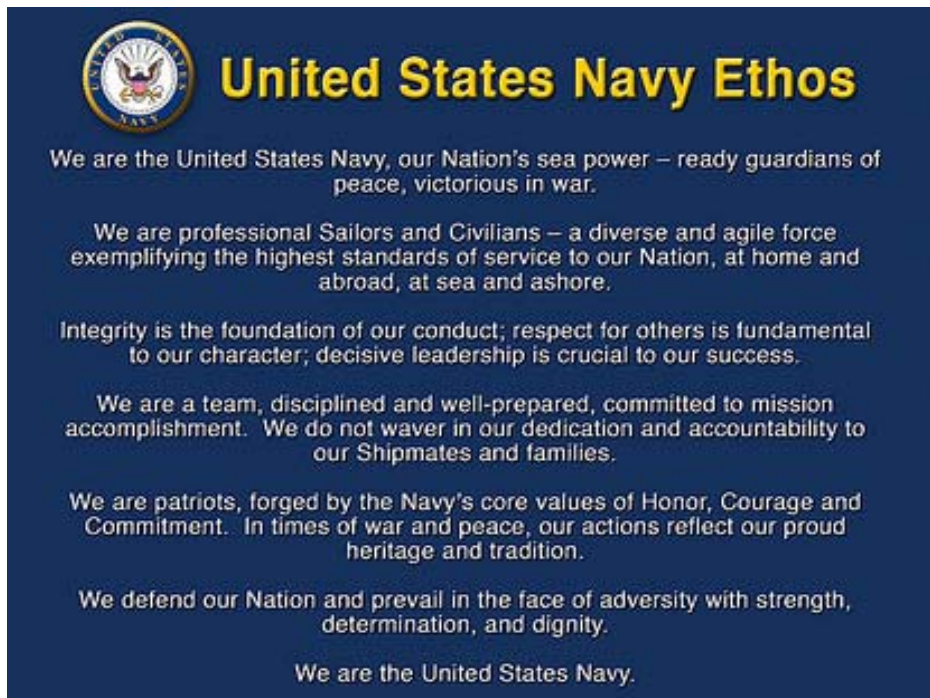
Enlisted Learning and Development Continuum is the formal title given to the curriculum and process building on the foundation of Sailorization beginning in our Delayed Entry Program through Recruit Training Command and throughout your entire career. The continuum combines skill training, professional education, well-rounded assignments, and voluntary education. As you progress through your career, early-on skill training diminishes while professional military education gradually increases. Experience is the ever-present constant determining the rate at which a Sailor trades skill training for professional development..




## Do Sailors have to follow the Roadmap?

Yes. The FC roadmap includes the four areas encompassed by the Continuum in Professional Military Education to include; Navy Professional Military Education, Joint Professional Education, Leadership and Advanced Education.

Some training and education is mandatory (Recruit Training, FC "A" School at Naval Station Great Lakes, IL, NKO (E-Learning, etc...)). Some may be directed by your chain of command (Microsoft Excel and PowerPoint courses), and the remainder is voluntary (NKO, E-Learning, college courses, etc.). Sailors are advised to seek out mentors, including your Command Master Chief, Senior Enlisted Advisor, Leading Chief Petty Officer, Leading Petty Officer and Command Career Counselor, and to make use of your Base Navy College or Education Office vast resources. All are uniquely qualified to help you along the way.



 **United States Navy Ethos**

We are the United States Navy, our Nation's sea power – ready guardians of peace, victorious in war.

We are professional Sailors and Civilians – a diverse and agile force exemplifying the highest standards of service to our Nation, at home and abroad, at sea and ashore.

Integrity is the foundation of our conduct; respect for others is fundamental to our character; decisive leadership is crucial to our success.

We are a team, disciplined and well-prepared, committed to mission accomplishment. We do not waver in our dedication and accountability to our Shipmates and families.

We are patriots, forged by the Navy's core values of Honor, Courage and Commitment. In times of war and peace, our actions reflect our proud heritage and tradition.

We defend our Nation and prevail in the face of adversity with strength, determination, and dignity.

We are the United States Navy.



**I am a United States Sailor.**

**I will support and defend the Constitution of the United States of America and I will obey the orders of those appointed over me.**

**I represent the fighting spirit of the Navy and those who have gone before me to defend freedom and democracy around the world.**

**I proudly serve my country's Navy combat team with Honor, Courage and Commitment.**

**I am committed to excellence and the fair treatment of all.**



## FIRE CONTROLMAN (FC) SEAMAN RECRUIT TO SEAMAN

NAME \_\_\_\_\_

### SKILL TRAINING

(Schools, courses and assignments directly related to occupation)

#### REQUIRED SKILL TRAINING

Course Title	Course Location	CIN/CSE ID	Course Length	Date Completed
Advanced Apprentice Technical Training	Great Lakes, IL	A-100-0151		
Fire Controlman "A" School	Great Lakes, IL	A-100-0141		
Basic Apprentice Technical Training	Great Lakes, IL	A-500-0105		
Surface Common Core	Great Lakes, IL	A-500-0022		

#### RECOMMENDED SKILL TRAINING

Course Title	Course Location	CIN/CSE ID	Course Length	Date Completed
None				

#### NAVY ENLISTED CLASSIFICATION CODE (NEC) OPPORTUNITIES

Course Title	Course Location	CIN/CSE ID	Course Length	Date Completed
NATO Sea sparrow 7M Maintenance	Norfolk, Va	A-104-0204		
AN/SPS-48E Operation and Maintenance	Norfolk, Va	A-104-0206		
MK-86 Gun Fire Control System MOD-9	Norfolk, Va	A-113-0065		
FCS MK-92 Maintenance	San Diego, Ca	A-113-0080		
MK-15 CIWS MODS 11-14	San Diego, Ca/Norfolk, Va	A-113-0114		
Gun Computer System MK-160	Norfolk, Va	A-113-0131		
Rolling Airframe Missile (RAM) MK-31	Norfolk, Va	A-113-0162		
Tactical Tomahawk Weapons Control Sys	San Diego, Ca/Norfolk, Va	A-121-0015		
Ships Self Defense System (SSDS) Mk2	Norfolk, Va	A-150-0029		
FFG-7/36/31NFCS Maint/Operator	San Diego, Ca/Norfolk, Va	A-150-0135		
CV/CVN Combat Direction System	Norfolk, Va	A-150-0260		
LHD Computer/Peripheral	Norfolk, Va	A-150-0271		
LHA Adv CDS	Norfolk, Va	A-150-0300		
Harpoon Weapons System Maint.	Norfolk, Va	J-500-2104		
AEGIS Radar System SPY-1A	Dahlgren, Va	S-104-0191		
AEGIS Radar System SPY-1B/D	Dahlgren, Va	S-104-0210		
AEGIS FCS/ORTS	Dahlgren, Va	S-104-0211		
AEGIS Radar System SPY-1D(v)	Dahlgren, Va	S-104-0996		
AEGIS Computer Operations and Maint.	Dahlgren, Va	S-150-0274		
AEGIS Display System TRK 3	Dahlgren Va.	S-150-0275		
AEGIS Computer Network Technician	Dahlgren, Va.	S-150-0277		

**JOB DESCRIPTION:** Support command and Navy mission by employing knowledge, skills, and abilities obtained during formal and on-the-job training events to perform corrective and preventive maintenance on systems assigned and tasks directed by the chain of command and those appointed over you.

**RECOMMENDED BILLET ASSIGNMENTS:** Maintenance technician afloat

**PERSONAL AND PROFESSIONAL DEVELOPMENT (Completed at reporting 30 day Career Development Board)**

Command Address: \_\_\_\_\_ QD Phone Number: \_\_\_\_\_  
\_\_\_\_\_

Division Officer: \_\_\_\_\_ Phone Number: \_\_\_\_\_

Leading Chief Petty Officer: \_\_\_\_\_ Phone Number: \_\_\_\_\_

Leading Petty Officer: \_\_\_\_\_ Phone Number: \_\_\_\_\_

Sponsor/Mentor: \_\_\_\_\_ Phone Number: \_\_\_\_\_

Depart/Division Career Counselor: \_\_\_\_\_ Phone Number: \_\_\_\_\_

ADSD: \_\_\_\_\_ REPORT DATE: \_\_\_\_\_ EAOS: \_\_\_\_\_ PRD: \_\_\_\_\_ SEA / SHORE: \_\_\_\_/\_\_\_\_  
PAYGRADE E1/E2 (9 months time in service required for advancement to E-2 and E-3)  
PAYGRADE E3 (6 months time in service required to be eligible for advancement to E-4)

Date Advanced: \_\_\_\_\_ Eligible Advancement Date: \_\_\_\_\_ Number of times up: \_\_\_\_\_ HYT Date: \_\_\_\_\_

Security Clearance Level \_\_\_\_\_ Date Last updated: \_\_\_\_\_ Command INDOC complete \_\_\_\_\_

**CAREER DEVELOPMENT BOARDS:** Use with OPNAVINST 1040.11(series) & Career Counselor Handbook  
Reason for Convening/Discussion Items: (Upon completion update (CIMS) Career Information Management System)

Reporting (within 30 days for active duty or three drill weekends for SELRES) (Date Conducted): \_\_\_\_\_

6 month progress check (Date Conducted): \_\_\_\_\_ 12 Months \_\_\_\_\_ 24 Months \_\_\_\_\_

36 Months \_\_\_\_\_ 48 Months \_\_\_\_\_ 60 Months \_\_\_\_\_ Special Program/Member Request \_\_\_\_\_

Advancement Center: Visit NKO Navy Advancement page located under the Career Management Tab

Bibliography for Advancement \_\_\_\_\_ Correspondence Courses \_\_\_\_\_ Catalog of Courses \_\_\_\_\_

Enlisted Advancement Exam Strategy Guide \_\_\_\_\_ Profile Sheets \_\_\_\_\_ Exam Discrepancy List \_\_\_\_\_

Commissioning Programs Applications (Conducted): \_\_\_\_\_ (prior to submission, command endorsement)

Enlisted to Officer Commissioning Program Application & Administration Manual OPNAVINST 1420.1(series):

Seaman to Admiral 21 (STA-21): \_\_\_\_\_ Medical Enlisted Commissioning Program (MECP): \_\_\_\_\_

Naval Academy: \_\_\_\_\_ Naval Academy Preparatory School (NAPS): \_\_\_\_\_ Officer Candidate School: \_\_\_\_\_

Physical Fitness Test Failure (Conducted): \_\_\_\_\_

HYT 24 months (Date): \_\_\_\_\_ HYT 12 months (Date): \_\_\_\_\_ HYT Waiver Date: \_\_\_\_\_ Approve/Disapprove

Rating Conversion: \_\_\_\_\_ Navy Formal Training Schools Request ("A"/"C"etc): \_\_\_\_\_

Transfer: \_\_\_\_\_ Early Separation: \_\_\_\_\_ Career Status Bonus/Retirement Options: \_\_\_\_\_

**Career Management Calendar:** <https://www.nko.navy.mil/portal/careermanagement/home/careermanagementcalendar>

**QUALIFICATIONS AND CERTIFICATIONS**

<b>Sea/Shore General Qualifications Watch Standing Qualifications</b>	<b>Report Date</b>	<b>Completion Date (If qualification is not required place N/A in this Block)</b>
Ship Board Fire Fighting		
Aviation Fire Fighting		
General Damage Control		
Advanced Damage Control		
3M 301		
3M 302		
3M 303		
3M 304		
Messenger of the Watch (MOOW)		
Petty Officer of the Watch (POOW)		
Roving Patrol (Rover)		
Small Weapon Qualification (9mm, Rifle, Shotgun)		
CSOSS PQS		
Personal Qualifications Standard		

[Mandatory warfare qualification for enlisted Sailors assigned to designated warfare qualifying commands:](#)

<b>Warfare qualification programs</b>	<b>Report Date</b>	<b>Completion Date (If qualification is not required place N/A in this Block)</b>
Surface Warfare Specialist		
Aviation Warfare Specialist		

<b>Rate Specific/Department Qualifications (Add)</b>	<b>Report Date</b>	<b>Completion Date (If qualification is not required place N/A in this Block)</b>
Various Reaction Force Watches		
Security Alert Team		
Backup Alert Force		

## CERTIFICATIONS

The following post military occupations are similar to the Fire Controlman Rating. For more information about these occupations, visit NAVY COOL at <https://www.cool.navy.mil>.

Occupation (Civilian Employer)
Computer Hardware Engineers
Computer Systems Analysts
Computer, Automated Teller, and Office Machine Repairers
Data Entry Keyers
Electrical and Electronics Repairers, Commercial and Industrial Equipment
Explosives Workers, Ordnance Handling Experts, and Blasters
First-Line Supervisors of Mechanics, Installers, and Repairers
Helpers--Installation, Maintenance, and Repair Workers
Inspectors, Testers, Sorters, Samplers, and Weighers
Network Systems and Data Communications Analysts
Radio Operators
Software Developers, Systems Software
Telecommunications Equipment Installers and Repairers, Except Line Installers
Training and Development Managers
<b>Military Sealift Command</b>
Chief Radio Electronics Technician

Occupation (Federal Employer)
0804 - Fire Protection Engineering Series
0855 - Electronics Engineering Series
0856 - Electronics Technical Series
1550 - Computer Science Series
2608 - Electronic Digital Computer Mechanic
2610 - Electronic Integrated Systems Mechanic
9944 - Electronics Technician

**Navy COOL:** The following certifications and licenses are applicable to the FC rating. They may require additional education, training or experience.

Target paygrade	Certifying Agency Web Site	Credential Title	Years Experience Required	Comp. date
E4	<a href="#">Computing Technology Industry Association (CompTIA)</a>	CompTIA Certified Technical Trainer (CTT+)	0	
E5	<a href="#">Electronics Technicians Association, International (ETA-I)</a>	Fiber Optics Technician (FOT)	0	
E5	<a href="#">Electronics Technicians Association, International (ETA-I)</a>	Certified Computer Service Technician (CST)	0.5	
E5	<a href="#">Electronics Technicians Association, International (ETA-I)</a>	Fiber Optics Installer (FOI)	0.5	
E6	<a href="#">Electronics Technicians Association, International (ETA-I)</a>	Certified Network Computer Technician (CNCT)	1	
E6	<a href="#">Electronics Technicians Association, International (ETA-I)</a>	Certified Network Systems Technician (CNST)	1	
E6	<a href="#">Hewlett Packard (HP)</a>	Certified Systems Administrator (CSA)	1	
E2	<a href="#">American Board for Certification in Homeland Security (ABCHS)</a>	Certified in Disaster Preparedness (CDP-I)	1 - 5	
E6	<a href="#">Electronics Technicians Association, International (ETA-I)</a>	Associate Electronics Technician (CETa)	<2	
E4	<a href="#">American Board for Certification in Homeland Security (ABCHS)</a>	Certified in Homeland Security Level I (CHS-I)	2	

E4	American Board for Certification in Homeland Security (ABCCHS)	Certified in Homeland Security Level II (CHS-II)	Level I Prereq	
E4	American Board for Certification in Homeland Security (ABCCHS)	Certified in Homeland Security Level III (CHS-III)	Level II Prereq	
E5	American Board for Certification in Homeland Security (ABCCHS)	Certified in Homeland Security Level IV (CHS-IV)	Level III Prereq	
E5	American Board for Certification in Homeland Security (ABCCHS)	Certified in Homeland Security Level V (CHS-V)	Level IV Prereq	
E6	Electronics Technicians Association, International (ETA-I)	RADAR Electronics Technician (RAD)	2	
E6	Electronics Technicians Association, International (ETA-I)	Telecommunications Electronics Technician - Journeyman (TCM)	2	

Visit Navy COOL <https://www.cool.navy.mil> for additional Credentials that you may qualify to earn; however funding may be limited to your GI bill or DANTES.

**USMAP (UNITED SERVICES MILITARY APPRENTICESHIP PROGRAM):**

	Comp. date
Electronics Technician (Professional & Kindred) (0169C)	
Electronics Technician (Professional & Kindred)	
Electronics Mechanic	
Electronics Mechanic (Any Industry)	
Optical-Instrument Assembler (Optical Goods)	
Ordnance Artificer (Government Service)	
Electronics Tester	
Computer Programmer (Professional & Kindred)	
Computer-Peripheral-Equipment Operator (Clerical)	

Visit USMAP <https://usmap.cnet.navy.mil/usmapss/static/usmap.jsp> for additional information



---

**STAY NAVY**

REENLIST / EXTEND: Request Chit/Form: \_\_\_\_\_ Perform to Serve (PTS) Approval Message: \_\_\_\_\_

Selective Conversion and Reenlistment (SCORE): \_\_\_\_\_ Reserve Selective Conversion and Reenlistment (RESCORE): \_\_\_\_\_

Selective Training and Reenlistment (STAR): \_\_\_\_\_ Guaranteed Assignment in Detailing (GUARD 2000): \_\_\_\_\_

School as a Reenlistment Incentive: \_\_\_\_\_ Career Management System (CMS/ID): \_\_\_\_\_

Medical/Dental Screening: \_\_\_\_\_ Command Recommendation (evaluation): \_\_\_\_\_ Bonus: \_\_\_\_\_ Ceremony: \_\_\_\_\_

**PERFORM TO SERVE (PTS) FLEET RIDE:**

The Command Career Counselor is your local advocate to assist you with the Perform to Serve (PTS) application process.

- All E3-E6 Sailors with less than 14 years of service must submit a PTS application, regardless of reenlistment intentions.
- Applications must be submitted no later than 12 months prior to expiration of active obligated service (EAOS) or projected rotation date (PRD) if obligated service is required, whichever occurs first.
- Sailors may submit PTS applications up to 12 months prior to EAOS/PRD. (under special circumstances)
- Applications for selected reserve (SELRES) quotas may be submitted between 12 months and 3 months prior to EAOS
- Monthly reenlistment quotas are limited and must be reserved for our best and brightest Sailors who desire to Stay Navy. Sailors must choose one of the following based on their desires and qualifications:
  - Reenlist-in-Rate,
  - Reenlist-in-Rate or Convert to another rating
  - Convert to another rating (only)
  - SELRES option
- Upon completion of the monthly process, PTS results will be available to command users via PTS Monthly report section of the PTS/Fleet RIDE program.
- Additional guidance can be found in MILPERSMAN 1440-060 and NAVADMIN 352/10, see your Career Counselor

**TRANSFER:**

<u>15 Months</u>	<u>12 Months</u>	<u>9 Months</u>	<u>6 Months</u>	<u>Orders Received</u>
PTS _____	PTS _____	PTS _____	Accept Orders _____	Screening _____
Exception Family Member _____	EFM _____	CMS/ID _____	Reverse Sponsor _____	Obligate _____
CMS/ID _____	CMS/ID _____	SRB _____	Relocation (FFSC) _____	Bonus _____
Continuous Overseas Tours (COT) _____			Medical/Dental _____	
Overseas Tour Extension Incentive Program (OTEIP) _____			SRB _____	

For additional assistance in transfer and relocation, go to: <http://www.npc.navy.mil/CareerInfo/PerformtoServe>

---

**SEPARATING/RETIRE**

<u>18 -12 months</u>	<u>6 months</u>	<u>90 days</u>	<u>30 days</u>
Attend TAP/RTAP _____	MED/DEN _____	Copy of Records _____	Copy of Records _____
Complete DD2648PSD _____	Relocation _____	Official Record CD _____	PSD _____
Transition Planning _____	Relocation Services (FFSC) _____	Arrange Ceremony _____	MED/DEN _____
	Reserve Affiliation _____	Request Leave / PTDY _____	
	VA/DVA _____		

**PROFESSIONAL MILITARY EDUCATION**

(Resident and non-resident coursework designed to enhance a Sailor's general military professional knowledge and abilities)

**EDUCATION: (Prior to considering any pursuit of off duty education or program enrollment VISIT YOUR NAVY COLLEGE OFFICE or call the Virtual Education Center (VEC!!!))**

Education Plan Completed (Navy College Office/VEC \_\_\_\_\_) Current Education Level \_\_\_\_\_

Degree Goal \_\_\_\_\_

\*\*Various distance learning degree options are available using, Sailor and Marine Online Academic Advisor (SMOLAA)\*\*

Goal: Date: AA/AS \_\_\_\_\_ BA/BS \_\_\_\_\_ Master \_\_\_\_\_ Doctorate \_\_\_\_\_  
 (Credits to earn a degree - AA/AS: 60 SH/90 QH, BA/BS: 120 SH/180, QH, Master /Doctorate: Variable based on program)

Number of current credits \_\_\_\_\_ American Council on Education (ACE) recommended credits \_\_\_\_\_

SOCNAV Agreement \_\_\_\_\_ SMART Transcripts \_\_\_\_\_ HS Transcripts \_\_\_\_\_ College Transcripts \_\_\_\_\_

Date Degree Obtained: AA/AS \_\_\_\_\_ BA/BS \_\_\_\_\_ Master \_\_\_\_\_ Doctorate \_\_\_\_\_

For entry into SMART, Send official transcripts to:  
 Center for Personal and Professional Development  
 Attn: Virtual Education Center  
 1905 Regulus Avenue, Ste. 234  
 Virginia Beach VA 23461-2009  
 Phone: 1-877-838-1659  
 Comm: 757-492-4684  
 FAX: 757-492-5095  
 DSN: 492-4684  
 Email: [VEC@navy.mil](mailto:VEC@navy.mil)

**VOLUNTARY EDUCATION (Study guides and exam preparations and practice test located on NKO)**

Academic skills \_\_\_\_\_ NCPACE \_\_\_\_\_ CLEP \_\_\_\_\_ DSST \_\_\_\_\_ TA \_\_\_\_\_ MGB \_\_\_\_\_ Post 9/11 GIB \_\_\_\_\_

**E1/E2/E3 REQUIRED NAVY PME:**

Course Title	Course Location	CIN/CSE ID	Course Length	Date Completed
Required General Military Training (GMT)	Command Delivered			
Driving for Life	NKO	CPD-DFL-01	5 Hours	
DON/DOD Information Assurance Training	NKO	DOD-IAA-V8.0	1 Hour	
Trafficking in Persons Basic Awareness Training	NKO	jkddc-tip-1 US	4 Hours	
ATFP Level I Awareness for Service Members (CONUS)	NKO	CANSF-ATFP-CONUS-1.0	1 Hour	
ATFP Level I Awareness Training for Overseas Service Member (OCONUS)	NKO	CANSF-ATFP-OCONUS-1	1 Hour	
Alcohol Aware	Command Delivered	S-501-0160	4 Hours	
PREVENT	Command Delivered	S-501-0150	24 Hours	

**E1/E2/E3 REQUIRED COMMUNITY PME:**

Course Title	Course Location	CIN/CSE ID	Course Length	Date Completed
None				

**E1/E2/E3 RECOMMENDED NAVY PME:**

Course Title	Course Location	CIN/CSE ID	Course Length	Date Completed
Introductory Enlisted Professional Military Education (IEPME)	NKO	Military DON/ PME	20 Hours Total	
Block 1 Introductory EPME - Introduction	NKO	IEPME-INTRO-B1		
Block 2 Introductory EPME - History and Traditions	NKO	IEPME-INTRO-B2		
Block 3 Introductory EPME - Enlisted Professionalism	NKO	IEPME-INTRO-B3		
Block 4 Introductory EPME - Policy and the Navy	NKO	IEPME-INTRO-B4		
Block 5 Introductory EPME - Planning for Operations	NKO	IEPME-INTRO-B5		
Block 6 Introductory EPME - Regional and Cultural Awareness	NKO	IEPME-INTRO-B6		
Block 7 Introductory EPME - Technology in the Maritime Domain	NKO	IEPME-INTRO-B7		
Block 8 Introductory EPME - Conclusion	NKO	IEPME-INTRO-B8		
Cultural Awareness	NKO or College Course	Foreign Language and Culture	45 hrs	
Peterson's Online Academic Skills Course				
Verbal	NKO			
Math	NKO			
Navy Reserve Fundamentals for Active Duty Course	NKO	NAVRESFOR-NRF-2.0	10 hours	
ORM All Navy Fundamentals	NKO	CPD-GMT07-011	1 hour	
Nutrition	NKO	NMHCI2107V2.1	1 hour	
Personal Financial Management	NKO	CPD-PFM-1.0	8 hours	
College/Certification Testing Programs Reviews	NKO			

**Courses With Recommended Reserve Points:**

Click this link for an Excel file of all Navy E-Learning courses offering "RECOMMENDED" reserve points. **NOTE:** Commander Navy Reserve Forces (CNRF) N7 determines the number of reserve points awarded for completion of a course taken on Navy E-Learning. This listing should only be used as a guide and is subject to change by direction of CNRF N7. **Navy E-Learning has no control over how many, if any, reserve points are eventually awarded for the completion of a course. All questions concerning the award of reserve points should be directed to CNRF N7.**  
[https://file-lms-cont01.nko.navy.mil/training/Courses\\_With\\_Recommended\\_Reserve\\_Points.xls](https://file-lms-cont01.nko.navy.mil/training/Courses_With_Recommended_Reserve_Points.xls)

**RECOMMENDED RESERVE PME:**

Course Title	Course Location	CIN/CSE ID	Course Length	Date Completed
NROWS Orders Administration Course	NKO	R-500-0140/02PG /DoN	8 hours	
Naval Reserve Center Commanding Officer Officer In Charge	NKO	CNRFC-COOIC-1.0 /DoN	8 hours	
Guidance for Mobilization	NKO	CNRFC-GMB-1.1 /DoN	4 hours	
Military Sealift Command 101	NKO	CNRFC-MS101 /DoN 1.1	24 hours	
Non-Prior Service Accession Program	NKO	CNRFC-NPSAP-2 /DoN 0	23 hours	

**RECOMMENDED COMMUNITY PME:**

Course Title	Course Location	CIN/CSE ID	Course Length	Date Completed
Basic Military Requirements (BMR for E1-E4)	NKO/Navy E-Learning:	IEPME-INTRO-B1 thru B8		

## NAVY PROFESSIONAL READING PROGRAM:

The purpose of the Navy Reading Program is to facilitate the professional and personal development of all Sailors, seaman to admiral, active and reserve. Simply reading for pleasure is certainly encouraged, but the NPRP will facilitate reading material that may help develop skills and abilities that can be helpful in both your professional and personal lives.

<http://www.navyreading.navy.mil/>

### JUNIOR ENLISTED COLLECTION

Title	Completed
Lincoln on Leadership: Executive Strategies for Tough Times <i>by Donald T. Phillips</i>	
Starship Troopers <i>by Robert A. Heinlein</i>	
A Sailor's History of the U.S. Navy <i>by Thomas J. Cutler</i>	
Life in Mr. Lincoln's Navy <i>by Dennis J. Ringle</i>	
Flags of Our Fathers <i>James Bradley</i>	
D Day: June 6, 1944: The Climactic Battle of World War II <i>by Stephen E. Ambrose</i>	
Lone Survivor; The Eyewitness Account of Operation Redwing and the Lost Heroes of Seal Team 10 (new) <i>by Marcus Luttrell</i>	
The Kite Runner <i>by Khaled Hosseini</i>	
The Declaration of Independence and Other Great Documents of American History 1775-1865 <i>by John Grafton</i>	
Ender's Game <i>by Orson Scott Card</i>	
The 7 Habits of Highly Effective People <i>by Stephen R. Covey</i>	
Time Management from the Inside Out, second edition: The Foolproof System for Taking Control of Your Schedule--and Your Life <i>by Julie Morgenstern</i>	

Note: Required to recite Sailor's Creed

### RECOMMENDED COMMUNITY READING

Title	Completed
FC Volumes	
GM Volumes	
Naval Electronics Engineering Training Series (NEETS) Modules	
Theory of Combat Systems Alignment Manual (CSAM)	
Combat Systems Operational Sequencing System (CSOSS) Manuals (For your specific platform)	
Aegis Caps & Lims	
TACMEMOs (for your specific platform/system)	

## **REFERENCES**

### **Navy Enlisted Learning and Development Programs:**

- Learning and Development Roadmap for Enlisted Sailors, OPNAVINST 1500.77(series)
- Navy Retention and Career Development Program, OPNAVINST 1040.11(series)
- Career Counselor Handbook, NAVPERS 15878
- Command Sponsor and Indoctrination Program OPNAVINST 1740.3(series) (Sponsor assigned within 10 days of orders received / Indoctrination completed as soon as possible and practicable but NLT 90 days)
- Command Sponsorship of Dependents at Overseas Duty MILPERSMAN 1300-150 to 1300-210
- Guaranteed Assignment Retention Detailing Program GUARD 2000, MILPERSMAN 1306-1002/1004
- Navy Enlisted Warfare Qualification Program OPNAVINST 1414.9 (series)
- Master Training Specialists (MTS) NETCINST 1500.2(series)
- Command Master Chief Program OPNAVINST 1306.2 (series)

### **Reenlistments and Extensions:**

- Agreement of Enlisted Naval Reservist, Inductees and Fleet Reservists to remain on Active Duty MILPERSMAN 1160-060
- Career Reenlistment Objectives (use latest CREO NAVADMIN)
- Extension of Enlistment MILPERSMAN 1160-040
- Overseas Tour Extension Incentives Program (OTEIP) MILPERSMAN 1306-300
- Consecutive Overseas Tours (COT) Leave Travel Entitlement Policy MILPERSMAN 1050-410
- Perform to Serve (PTS) MILPERSMAN 1440-060
- Reenlistment Ceremony MILPERSMAN 1160-020
- Reenlistment Leave MILPERSMAN 1050-040
- Required Counseling upon Enlistment and Reenlistment MILPERSMAN 1160-031
- Selective Conversion and Reenlistment (SCORE) Program MILPERSMAN 1160-090
- Selective Reenlistment Bonus (Use Latest SRB NAVADMIN)
- Selective Training and Reenlistment (STAR) Program MILPERSMAN 1160-100
- School as a Reenlistment Incentive MILPERSMAN 1306-1006

### **Fleet Reserve and Retirements:**

- Casualties and Survivor Benefits (SBP) MILPERSMAN 1770 to 1770-250
- Disability Retirement MILPERSMAN 1850-020 to 1850-040
- Fleet Reserve and Retirement MILPERSMAN 1800-010 to 1800-070
- Household Goods and Personal Property (PCS and Retirees) MILPERSMAN 4050-010 to 020
- Permissive Temporary Duty (PTDY) MILPERSMAN 1320-220
- Transition Assistance Management Program OPNAVINST 1900.2(series) (Initiate a DD-2648-1 NLT 90 Days Prior to Separation and attend workshop 12 months prior to separation/Fleet Reserve/Retirement date)

### **Enlisted Administrative Separations:**

- Alcohol Rehabilitation Failure MILPERSMAN 1910-152
- Drug Abuse MILPERSMAN 1910-146
- Early release to further education MILPERSMAN 1910-108
- Enlisted Administrative Separation Policy MILPERSMAN 1910-010 to 1910-812
- Fraudulent Enlistment MILPERSMAN 1910-134
- High Year Tenure (HYT) AC MILPERSMAN 1160-120 / RC 1160-130
- Misconduct (various reasons) MILPERSMAN 1910-138/140/142
- Parenthood and Pregnancy SECNAVINST 1000.10(series) & MILPERSMAN 1910-124
- Personality Disorder MILPERSMAN 1910-122
- Physical Fitness Assessment Failure MILPERSMAN 1910-170
- Serious Offense MILPERSMAN 1910-142
- Unsatisfactory Performance MILPERSMAN 1910-156

### **Advancement & Service Schools:**

- Advancement BUPERSINST 1430.16(series)
- Accelerated Advancement MILPERSMAN 1430-010
- Enlisted to Officer Commissioning Program Application & Administration Manual OPNAVINST 1420.1(series)
- Service Schools 1306-600/602/604/608
- Class “A” School & Rating Entry Requirements MILPERSMAN 1306-618
- Retesting with the Armed Forces Classification Test version of the Armed Services Vocational Aptitude Battery (ASVAB) MILPERSMAN 1236-010
- Professional Apprenticeship Tracks Program (PACT) NAVADMIN 318/07

### **Education:**

- Joint Chiefs Professional Military Education (PME) Manual 1805.01
- Navy Voluntary Education Program (Navy Campus) OPNAVINST 1560.9(series)
- Tuition Assistance Management Controls NAVADMIN 161/07 / NETC LTR Execution Guidelines 1560 Ser N00178, Aug 07
- Navy Credentialing Program OPNAVINST 1540.56
- Uniformed Services Military Apprenticeship Programs OPNAVINST 1560.10(series)

### **Other Quick References:**

- Change in Rank, Rate or Rating MILPERSMAN 1440-010 to 1440-050
- Drug and Alcohol Prevention Control Program OPNAVINST 5350.4(series)
- Exchange of Duty (SWAPS) MILPERSMAN 1306-700
- First Term Personnel Assignment Policy MILPERSMAN 1306-126
- Individual Augmentation (IA) Policy and Procedures OPNAVINST 1001.21(series)
- Military Couple and Single Parent Assignment Policy MILPERSMAN 1300-1000
- Military Pay MILPERSMAN 7220-010 to 7220-390
- Overseas tour Extensions MILPERSMAN 1300-310
- Physical Readiness Program OPNAVINST 6110.1(series) / MILPERSMAN 6100-6199
- Reassignment for Humanitarian reasons (HUMS) MILPERSMAN 1300-500
- Standard Policy and Procedures for the Active Duty for Special Work (ADSW) & 1 year Recall Program OPNAVINST 1001.20(series)
- Operational Risk Management OPNAVINST 3500.39C



**FIRE CONTROLMAN (FC) THIRD CLASS  
(Apprentice/Journeyman)**

NAME \_\_\_\_\_

**SKILL TRAINING**

(Schools, courses and assignments directly related to occupation)

**REQUIRED SKILL TRAINING**

Course Title	Course Location	CIN/CSE ID	Course Length	Date Completed
Advanced Apprentice Technical Training	Great Lakes, IL	A-100-0151		
Fire Controlman "A" School	Great Lakes, IL	A-100-0141		
Basic Apprentice Technical Training	Great Lakes, IL	A-500-0105		
Surface Common Core	Great Lakes, IL	A-500-0022		

**RECOMMENDED SKILL TRAINING**

Course Title	Course Location	CIN/CSE ID	Course Length	Date Completed
Miniature Electronic Repair	East & West Coast, Hawaii & Japan	A-100-0072		
Micro Miniature Electronic Repair	East & West Coast, Hawaii & Japan	A-100-0073		
CSOSS Fundamentals	Multiple	A-221-0013		
Fiber Optic Cable Installation, Splicing, And Maintenance	Multiple	A-662-0005		
Fiber Optic Data Multiplex System (FODMS)	Multiple	A-623-0001		
Fiber Optics Maintenance Technician	Multiple	A-670-0063		

**NAVY ENLISTED CLASSIFICATION CODE (NEC) OPPORTUNITIES**

Course Title	Course Location	CIN/CSE ID	Course Length	Date Completed
NATO Sea sparrow 7M Maintenance	Norfolk, Va	A-104-0204		
AN/SPS-48E Operation and Maintenance	Norfolk, Va	A-104-0206		
MK-86 Gun Fire Control System MOD-9	Norfolk, Va	A-113-0065		
FCS MK-92 Maintenance	San Diego, Ca	A-113-0080		
MK-15 CIWS MODS 11-14	San Diego, Ca/Norfolk, Va	A-113-0114		
Gun Computer System MK-160	Norfolk, Va	A-113-0131		
Rolling Airframe Missile (RAM) MK-31	Norfolk, Va	A-113-0162		
Tactical Tomahawk Weapons Control Sys	San Diego, Ca/Norfolk, Va	A-121-0015		
Ships Self Defense System (SSDS) Mk2	Norfolk, Va	A-150-0029		
FFG-7/36/31NFCS Maint/Operator	San Diego, Ca/Norfolk, Va	A-150-0135		
CV/CVN Combat Direction System	Norfolk, Va	A-150-0260		
LHD Computer/Peripheral	Norfolk, Va	A-150-0271		
LHA Adv CDS	Norfolk, Va	A-150-0300		
Harpoon Weapons System Maint.	Norfolk, Va	J-500-2104		
AEGIS Radar System SPY-1A	Dahlgren, Va	S-104-0191		

AEGIS Radar System SPY-1B/D	Dahlgren, Va	S-104-0210		
AEGIS FCS/ORTS	Dahlgren, Va	S-104-0211		
AEGIS Radar System SPY-1D(v)	Dahlgren, Va	S-104-0996		
AEGIS Computer Operations and Maint.	Dahlgren, Va	S-150-0274		
AEGIS Display System TRK 3	Dahlgren Va.	S-150-0275		
AEGIS Computer Network Technician	Dahlgren, Va.	S-150-0277		

---

**JOB DESCRIPTION**

Support command and Navy mission by employing knowledge, skills, and abilities obtained during formal and on-the-job training events to perform corrective and preventive maintenance on systems assigned and tasks directed by the chain of command and those appointed over you.

---

**RECOMMENDED BILLET ASSIGNMENTS**

Maintenance technician afloat



**PERSONAL AND PROFESSIONAL DEVELOPMENT (Completed at reporting 30 day Career Development Board)**

Command Address: \_\_\_\_\_ QD Phone Number: \_\_\_\_\_  
\_\_\_\_\_

Division Officer: \_\_\_\_\_ Phone Number: \_\_\_\_\_

Leading Chief Petty Officer: \_\_\_\_\_ Phone Number: \_\_\_\_\_

Leading Petty Officer: \_\_\_\_\_ Phone Number: \_\_\_\_\_

Sponsor/Mentor: \_\_\_\_\_ Phone Number: \_\_\_\_\_

Depart/Division Career Counselor: \_\_\_\_\_ Phone Number: \_\_\_\_\_

ADSD: \_\_\_\_\_ REPORT DATE: \_\_\_\_\_ EAOS: \_\_\_\_\_ PRD: \_\_\_\_\_ SEA / SHORE: \_\_\_\_/\_\_\_\_  
PAYGRADE E4 (1 year time in service required to be eligible for advancement to E-5)

Date Advanced: \_\_\_\_\_ Eligible Advancement Date: \_\_\_\_\_ Number of times up: \_\_\_\_\_ HYT Date: \_\_\_\_\_

Security Clearance Level \_\_\_\_\_ Date Last updated: \_\_\_\_\_ Command INDOC complete \_\_\_\_\_

**CAREER DEVELOPMENT BOARDS:** Use with OPNAVINST 1040.11(series) & Career Counselor Handbook  
Reason for Convening/Discussion Items: (Upon completion update (CIMS) Career Information Management System)

Reporting (within 30 days for active duty or three drill weekends for SELRES) (Date Conducted): \_\_\_\_\_

6 month progress check (Date Conducted): \_\_\_\_\_ 12 Months \_\_\_\_\_ 24 Months \_\_\_\_\_

36 Months \_\_\_\_\_ 48 Months \_\_\_\_\_ 60 Months \_\_\_\_\_ Special Program/Member Request \_\_\_\_\_

PNA 3 times (Date Conducted): \_\_\_\_\_ Standard Score 40 or less/failed (Date Conducted): \_\_\_\_\_

Advancement Center: Visit NKO Navy Advancement page located under the Career Management Tab

Bibliography for Advancement \_\_\_\_\_ Correspondence Courses \_\_\_\_\_ Catalog of Courses \_\_\_\_\_

Enlisted Advancement Exam Strategy Guide \_\_\_\_\_ Profile Sheets \_\_\_\_\_ Exam Discrepancy List \_\_\_\_\_

Commissioning Programs Applications (Conducted): \_\_\_\_\_ (prior to submission, command endorsement)

Enlisted to Officer Commissioning Program Application & Administration Manual OPNAVINST 1420.1(series):

Seaman to Admiral 21 (STA-21) \_\_\_\_\_ Medical Enlisted Commissioning Program (MECP) \_\_\_\_\_

Naval Academy \_\_\_\_\_ Naval Academy Preparatory School (NAPS) \_\_\_\_\_ Officer Candidate School \_\_\_\_\_

Physical Fitness Test Failure (Conducted): \_\_\_\_\_

HYT 24 months (Date): \_\_\_\_\_ HYT 12 months (Date): \_\_\_\_\_ HYT Waiver Date: \_\_\_\_\_ Approve/Disapprove

PTS 15 months prior to EAOS (Conducted): \_\_\_\_\_ PTS 6 months if not approved (Conducted) \_\_\_\_\_

Rating Conversion \_\_\_\_\_ Navy Formal Training Schools Request ("A"/"C"etc): \_\_\_\_\_

Transfer \_\_\_\_\_ Early Separation: \_\_\_\_\_ Career Status Bonus/Retirement Options: \_\_\_\_\_

**Career Management Calendar:** <https://wwwa.nko.navy.mil/portal/careermanagement/home/careermanagementcalendar>

## **RECORD REVIEW CHECK LIST**

Review your Official Record to see what documentation, qualifications, etc. may be missing or requiring an update. This is a great opportunity to meet with your Mentor, Leading Petty Officer or Leading Chief Petty Officer to understand the importance of keeping your record up-to-date. Check the following three major sections to verify your Official Record:

a) **BUPERS Online** BUPERS Online (<https://www.bol.navy.mil>) is your main tool to ensure your record is up to date and helps you to be proactive in making the most of your promotion opportunity. You should review your;

1) **Official Military Personnel File (OMPF)**: All active duty and reserve personnel having a BOL account, a CAC (with appropriate certificates) and a CAC-enabled computer can now view their OMPF online by selecting the OMPF option on the BOL main menu page. This is the preferred method of obtaining OMPF information to eliminate the unnecessary time-lags caused by waiting days or weeks to receive a requested CD ROM.

2) **If Deployed**: Click on “**Request Record on CD**” to order your Official Military Personnel File (OMPF). This must be accomplished four to six months before a board convenes, which will allow time for delivery and updating of your record if required.

3) Check your **Performance Summary Record (PSR)** and **Enlisted Summary Record (ESR)** on <https://www.bol.navy.mil> click on “ODC, OSR, PSR, ESR” link

b) **Electronic Service Record (ESR)** Self-Service ESR: This can be viewed at (<https://nsips.nmci.navy.mil>) or on the Navy Standard Integrated Personnel System (NSIPS) ESR server onboard ship.

c) **Electronic Training Jacket (ETJ)** Log-on to Navy Knowledge Online (NKO) and review your entire ETJ making sure that each section is correct. If not click on "Data Problems" on bottom of each page which will guide you on how to make corrections or updates.

**QUALIFICATIONS AND CERTIFICATIONS**

<b>Sea/Shore General Qualifications Watch Standing Qualifications</b>	<b>Report Date</b>	<b>Completion Date (If qualification is not required place N/A in this Block)</b>
Ship Board Fire Fighting		
Aviation Fire Fighting		
General Damage Control		
Advanced Damage Control		
3M 301		
3M 302		
3M 303		
3M 304		
Messenger of the Watch (MOOW)		
Petty Officer of the Watch (POOW)		
Roving Patrol (Rover)		
Pier Sentry		
Small Weapon Qualification (9mm, Rifle, Shotgun)		
CSOSS (PQS)		
Personal Qualifications Standard		

[Mandatory warfare qualification for enlisted Sailors assigned to designated warfare qualifying commands:](#)

<b>Warfare qualification programs</b>	<b>Report Date</b>	<b>Completion Date (If qualification is not required place N/A in this Block)</b>
Surface Warfare Specialist		
Aviation Warfare Specialist		

<b>Rate Specific/Department Qualifications (Add)</b>	<b>Report Date</b>	<b>Completion Date (If qualification is not required place N/A in this Block)</b>
Various Reaction Force Watches		
Security Alert Team		
Backup Alert Force		

## CERTIFICATIONS

The following post military occupations are similar to the Fire Controlman Rating. For more information about these occupations, visit NAVY COOL at <https://www.cool.navy.mil>.

Occupation (Civilian Employer)
Computer Hardware Engineers
Computer Systems Analysts
Computer, Automated Teller, and Office Machine Repairers
Data Entry Keyers
Electrical and Electronics Repairers, Commercial and Industrial Equipment
Explosives Workers, Ordnance Handling Experts, and Blasters
First-Line Supervisors of Mechanics, Installers, and Repairers
Helpers--Installation, Maintenance, and Repair Workers
Inspectors, Testers, Sorters, Samplers, and Weighers
Network Systems and Data Communications Analysts
Radio Operators
Software Developers, Systems Software
Telecommunications Equipment Installers and Repairers, Except Line Installers
Training and Development Managers
<b>Military Sealift Command</b>
Chief Radio Electronics Technician

Occupation (Federal Employer)
0804 - Fire Protection Engineering Series
0855 - Electronics Engineering Series
0856 - Electronics Technical Series
1550 - Computer Science Series
2608 - Electronic Digital Computer Mechanic
2610 - Electronic Integrated Systems Mechanic
9944 - Electronics Technician

**Navy COOL:** The following certifications and licenses are applicable to the FC rating. They may require additional education, training or experience.

Target paygrade	Certifying Agency Web Site	Credential Title	Years Experience Required	Comp. date
E4	<a href="#">Computing Technology Industry Association (CompTIA)</a>	CompTIA Certified Technical Trainer (CTT+)	0	
E5	<a href="#">Electronics Technicians Association, International (ETA-I)</a>	Fiber Optics Technician (FOT)	0	
E5	<a href="#">Electronics Technicians Association, International (ETA-I)</a>	Certified Computer Service Technician (CST)	0.5	
E5	<a href="#">Electronics Technicians Association, International (ETA-I)</a>	Fiber Optics Installer (FOI)	0.5	
E6	<a href="#">Electronics Technicians Association, International (ETA-I)</a>	Certified Network Computer Technician (CNCT)	1	
E6	<a href="#">Electronics Technicians Association, International (ETA-I)</a>	Certified Network Systems Technician (CNST)	1	
E6	<a href="#">Hewlett Packard (HP)</a>	Certified Systems Administrator (CSA)	1	
E2	<a href="#">American Board for Certification in Homeland Security (ABCHS)</a>	Certified in Disaster Preparedness (CDP-I)	1 - 5	
E6	<a href="#">Electronics Technicians Association, International (ETA-I)</a>	Associate Electronics Technician (CETa)	<2	
E4	<a href="#">American Board for Certification in Homeland Security (ABCHS)</a>	Certified in Homeland Security Level I (CHS-I)	2	

E4	American Board for Certification in Homeland Security (ABCCHS)	Certified in Homeland Security Level II (CHS-II)	Level I Prereq	
E4	American Board for Certification in Homeland Security (ABCCHS)	Certified in Homeland Security Level III (CHS-III)	Level II Prereq	
E5	American Board for Certification in Homeland Security (ABCCHS)	Certified in Homeland Security Level IV (CHS-IV)	Level III Prereq	
E5	American Board for Certification in Homeland Security (ABCCHS)	Certified in Homeland Security Level V (CHS-V)	Level IV Prereq	
E6	Electronics Technicians Association, International (ETA-I)	RADAR Electronics Technician (RAD)	2	
E6	Electronics Technicians Association, International (ETA-I)	Telecommunications Electronics Technician - Journeyman (TCM)	2	

Visit Navy COOL <https://www.cool.navy.mil> for additional Credentials that you may qualify to earn; however funding may be limited to your GI bill or DANTES.

**USMAP (UNITED SERVICES MILITARY APPRENTICESHIP PROGRAM):**

	Comp. date
Electronics Technician (Professional & Kindred) (0169C)	
Electronics Technician (Professional & Kindred)	
Electronics Mechanic	
Electronics Mechanic (Any Industry)	
Optical-Instrument Assembler (Optical Goods)	
Ordnance Artificer (Government Service)	
Electronics Tester	
Computer Programmer (Professional & Kindred)	
Computer-Peripheral-Equipment Operator (Clerical)	

Visit USMAP <https://usmap.cnet.navy.mil/usmapss/static/usmap.jsp> for additional information

---

**STAY NAVY**

REENLIST / EXTEND: Request Chit/Form: \_\_\_\_\_ Perform to Serve (PTS) Approval Message: \_\_\_\_\_

Selective Conversion and Reenlistment (SCORE): \_\_\_\_\_ Reserve Selective Conversion and Reenlistment (RESCORE): \_\_\_\_\_

Selective Training and Reenlistment (STAR): \_\_\_\_\_ Guaranteed Assignment in Detailing (GUARD 2000): \_\_\_\_\_

School as a Reenlistment Incentive: \_\_\_\_\_ Career Management System/Interactive Detailing (CMS/ID): \_\_\_\_\_

Medical/Dental Screening: \_\_\_\_\_ Command Recommendation (evaluation): \_\_\_\_\_ Bonus: \_\_\_\_\_ Ceremony: \_\_\_\_\_

**PERFORM-TO-SERVE (PTS) FLEET RIDE:**

The Command Career Counselor is your local advocate to assist you with the Perform to Serve (PTS) application process.

- All E3-E6 Sailors with less than 14 years of service must submit a PTS application, regardless of reenlistment intentions.
- Applications must be submitted no later than 12 months prior to expiration of active obligated service (EAOS) or projected rotation date (PRD) if obligated service is required, whichever occurs first.
- Sailors may submit PTS applications up to 12 months prior to EAOS/PRD. (under special circumstances)
- Applications for selected reserve (SELRES) quotas may be submitted between 12 months and 3 months prior to EAOS
- Monthly reenlistment quotas are limited and must be reserved for our best and brightest Sailors who desire to Stay Navy. Sailors must choose one of the following based on their desires and qualifications:
  - Reenlist-in-Rate,
  - Reenlist-in-Rate or Convert to another rating
  - Convert to another rating (only)
  - SELRES option
- Upon completion of the monthly process, PTS results will be available to command users via PTS Monthly report section of the PTS/Fleet RIDE program.
- Additional guidance can be found in MILPERSMAN 1440-060 and NAVADMIN 352/10, see your Career Counselor

**TRANSFER:**

<u>15 Months</u>	<u>12 Months</u>	<u>9 Months</u>	<u>6 Months</u>	<u>Orders Received</u>
PTS _____	PTS _____	PTS _____	Accept Orders _____	Screening _____
Exception Family Member _____	EFM _____	CMS/ID _____	Reverse Sponsor _____	Obligate _____
CMS/ID _____	CMS/ID _____	SRB _____	Relocation (FFSC) _____	Bonus _____
Continuous Overseas Tours (COT) _____			Medical/Dental _____	
Overseas Tour Extension Incentive Program (OTEIP) _____			SRB _____	

For additional assistance in transfer and relocation, go to: <http://www.npc.navy.mil/CareerInfo/PerformtoServe>

---

**SEPARATING/RETIRE**

<u>18 -12 months</u>	<u>6 months</u>	<u>90 days</u>	<u>30 days</u>
Attend TAP/RTAP _____	MED/DEN _____	Copy of Records _____	Copy of Records _____
Complete DD2648PSD _____	Relocation _____	Official Record CD _____	PSD _____
Transition Planning _____	Relocation Services (FFSC) _____	Arrange Ceremony _____	MED/DEN _____
	Reserve Affiliation _____	Request Leave / PTDY _____	
	VA/DVA _____	Request Leave / PTDY _____	

**PROFESSIONAL MILITARY EDUCATION**

(Resident and non-resident coursework designed to enhance a Sailor’s general military professional knowledge and abilities)

**EDUCATION: (Prior to considering any pursuit of off duty education or program enrollment VISIT YOUR NAVY COLLEGE OFFICE or call the Virtual Education Center (VEC!!!))**

Education Plan Completed (Navy College Office/VEC \_\_\_\_\_) Current Education Level \_\_\_\_\_

Degree Goal \_\_\_\_\_

\*\*Various distance learning degree options are available using, Sailor and Marine Online Academic Advisor (SMOLAA)\*\*

Goal: Date: AA/AS \_\_\_\_\_ BA/BS \_\_\_\_\_ Master \_\_\_\_\_ Doctorate \_\_\_\_\_

(Credits to earn a degree - AA/AS: 60 SH/90 QH, BA/BS: 120 SH/180, QH, Master /Doctorate: Variable based on program)

Number of current credits \_\_\_\_\_ American Council on Education (ACE) recommended credits \_\_\_\_\_

SOCNAV Agreement \_\_\_\_\_ SMART Transcripts \_\_\_\_\_ HS Transcripts \_\_\_\_\_ College Transcripts \_\_\_\_\_

Date Degree Obtained: AA/AS \_\_\_\_\_ BA/BS \_\_\_\_\_ Master \_\_\_\_\_ Doctorate \_\_\_\_\_

For entry into SMART, Send official transcripts to:  
 Center for Personal and Professional Development  
 Attn: Virtual Education Center  
 1905 Regulus Avenue, Ste. 234  
 Virginia Beach VA 23461-2009  
 Phone: 1-877-838-1659  
 Comm: 757-492-4684  
 FAX: 757-492-5095  
 DSN: 492-4684  
 Email: [VEC@navy.mil](mailto:VEC@navy.mil)

**VOLUNTARY EDUCATION (Study guides and exam preparations and practice test located on NKO)**

Academic skills \_\_\_\_\_ NCPACE \_\_\_\_\_ CLEP \_\_\_\_\_ DSST \_\_\_\_\_ TA \_\_\_\_\_ MGIB \_\_\_\_\_ Post 9/11 GIB \_\_\_\_\_

**E4 REQUIRED NAVY PME:**

Course Title	Course Location	CIN/CSE ID	Course Length	Date Completed
Required General Military Training (GMT)	Command Delivered			
Driving for Life	NKO	CPD-DFL-01	5 Hours	
DON/DOD Information Assurance Training	NKO	DOD-IAA-V8.0	1 Hour	
Trafficking in Persons Basic Awareness Training	NKO	jkddc-tip-1 US / US DON	4 Hours	
ATFP Level I Awareness for Service Members (CONUS)	NKO	CANSF-ATFP-CONUS-1.0 / DON	1 Hour	
ATFP Level I Awareness Training for Overseas Service Member (OCONUS)	NKO	CANSF-ATFP-OCONUS-1	1 Hour	
Petty Officer Second Class Selectee Leadership Course- Phase One	Command Delivered	CPPD	20 Hours	
Petty Officer Second Class Selectee Leadership Course- Phase Two	Command Delivered	CPPD	20 Hours	
Leadership Core Continuum (LCC)	Command Delivered	CPPD	20 Hours	
Alcohol Aware	Command Delivered	S-501-0160	4 Hours	
PREVENT	Command Delivered	S-501-0150	24 Hours	

**E4 REQUIRED COMMUNITY PME:**

Course Title	Course Location	CIN/CSE ID	Course Length	Date Completed
None				

**E4 RECOMMENDED NAVY PME:**

Course Title	Course Location	CIN/CSE ID	Course Length	Date Completed
Introductory Enlisted Professional Military Education (IEPME)	NKO	Military DON/ PME	20 Hours Total	
Block 1 Introductory EPME - Introduction	NKO	IEPME-INTRO-B1		
Block 2 Introductory EPME - History and Traditions	NKO	IEPME-INTRO-B2		
Block 3 Introductory EPME - Enlisted Professionalism	NKO	IEPME-INTRO-B3		
Block 4 Introductory EPME - Policy and the Navy	NKO	IEPME-INTRO-B4		
Block 5 Introductory EPME - Planning for Operations	NKO	IEPME-INTRO-B5		
Block 6 Introductory EPME - Regional and Cultural Awareness	NKO	IEPME-INTRO-B6		
Block 7 Introductory EPME - Technology in the Maritime Domain	NKO	IEPME-INTRO-B7		
Block 8 Introductory EPME - Conclusion	NKO	IEPME-INTRO-B8		
Cultural Awareness	NKO or College Course	Foreign Language and Culture	45 hrs	
Eng 101	College Course		45 hrs	
Eng Reading	College Course		45 hrs	
Eng Writing	College Course		45 hrs	
Math	College Course		45 hrs	
Speech	College Course		45 hrs	
Navy Reserve Fundamentals for Active Duty Course	NKO	NAVRESFOR-NRF-2.0	10 hours	
ORM All Navy Fundamentals	NKO	CPD-GMT07-011	1 hour	
Nutrition	NKO	NMHCI2107V2.1	1 hour	
Personal Financial Management	NKO	CPD-PFM-1.0	8 hours	
College/Certification Testing Programs Reviews	NKO			

**Courses With Recommended Reserve Points:**

Click this link for an Excel file of all Navy E-Learning courses offering "RECOMMENDED" reserve points. **NOTE:** Commander Navy Reserve Forces (CNRF) N7 determines the number of reserve points awarded for completion of a course taken on Navy E-Learning. This listing should only be used as a guide and is subject to change by direction of CNRF N7. **Navy E-Learning has no control over how many, if any, reserve points are eventually awarded for the completion of a course. All questions concerning the award of reserve points should be directed to CNFR N7.**  
[https://file-lms-cont01.nko.navy.mil/training/Courses\\_With\\_Recommended\\_Reserve\\_Points.xls](https://file-lms-cont01.nko.navy.mil/training/Courses_With_Recommended_Reserve_Points.xls)

**RECOMMENDED RESERVE PME:**

Course Title	Course Location	CIN/CSE ID	Course Length	Date Completed
NROWS Orders Administration Course	NKO	R-500-0140/02PG /DoN	8 hours	
Naval Reserve Center Commanding Officer Officer In Charge	NKO	CNRF-COOIC-1.0 /DoN	8 hours	
Guidance for Mobilization	NKO	CNRF-GMB-1.1 /DoN	4 hours	
Military Sealift Command 101	NKO	CNRF-MS101	24 Hrs	
Non-Prior Service Accession Program	NKO	CNRF-NPSAP-2	23 Hrs	



**RECOMMENDED COMMUNITY PME COURSES:**

Course Title	Course Location	CIN/CSE ID	Course Length	Date Completed
Basic Military Requirements (BMR) for E5-E6	NKO/Navy E-Learning:	EPME-BASIC-B1 thru B8		

**NAVY PROFESSIONAL READING PROGRAM:**

The purpose of the Navy Reading Program is to facilitate the professional and personal development of all sailors, seaman to admiral, active and reserve. Simply reading for pleasure is certainly encouraged, but the NPRP will facilitate reading material that may help develop skills and abilities that can be helpful in both your professional and personal lives.

<http://www.navyreading.navy.mil/>

**JUNIOR ENLISTED COLLECTION**

Title	Completed
Lincoln on Leadership: Executive Strategies for Tough Times <i>by Donald T. Phillips</i>	
Starship Troopers <i>by Robert A. Heinlein</i>	
A Sailor's History of the U.S. Navy <i>by Thomas J. Cutler</i>	
Life in Mr. Lincoln's Navy <i>by Dennis J. Ringle</i>	
Flags of Our Fathers <i>James Bradley</i>	
D Day: June 6, 1944: The Climactic Battle of World War II <i>by Stephen E. Ambrose</i>	
Lone Survivor; The Eyewitness Account of Operation Redwing and the Lost Heroes of Seal Team 10 (new) <i>by Marcus Luttrell</i>	
The Kite Runner <i>by Khaled Hosseini</i>	
The Declaration of Independence and Other Great Documents of American History 1775-1865 <i>by John Grafton</i>	
Ender's Game <i>by Orson Scott Card</i>	
The 7 Habits of Highly Effective People <i>by Stephen R. Covey</i>	
Time Management from the Inside Out, second edition: The Foolproof System for Taking Control of Your Schedule--and Your Life <i>by Julie Morgenstern</i>	

Note: Required to recite Sailor's Creed

**RECOMMENDED COMMUNITY READING**

Title	Completed
FC Volumes	
GM Volumes	
Naval Electronics Engineering Training Series (NEETS) Modules	
Theory of Combat Systems Alignment Manual (CSAM)	
Combat Systems Operational Sequencing System (CSOSS) Manuals (For your specific platform)	
Aegis Caps & Lims	
TACMEMOs (for your specific platform/system)	

## **REFERENCES**

### **Navy Enlisted Learning and Development Programs:**

- Learning and Development Roadmap for Enlisted Sailors, OPNAVINST 1500.77(series)
- Navy Retention and Career Development Program, OPNAVINST 1040.11(series)
- Career Counselor Handbook, NAVPERS 15878
- Command Sponsor and Indoctrination Program OPNAVINST 1740.3(series) (Sponsor assigned within 10 days of orders received / Indoctrination completed as soon as possible and practicable but NLT 90 days)
- Command Sponsorship of Dependents at Overseas Duty MILPERSMAN 1300-150 to 1300-210
- Guaranteed Assignment Retention Detailing Program GUARD 2000, MILPERSMAN 1306-1002/1004
- Navy Enlisted Warfare Qualification Program OPNAVINST 1414.9 (series)
- Master Training Specialists (MTS) NETCINST 1500.2(series)
- Command Master Chief Program OPNAVINST 1306.2 (series)

### **Reenlistments and Extensions:**

- Agreement of Enlisted Naval Reservist, Inductees and Fleet Reservists to remain on Active Duty MILPERSMAN 1160-060
- Career Reenlistment Objectives (use latest CREO NAVADMIN)
- Extension of Enlistment MILPERSMAN 1160-040
- Overseas Tour Extension Incentives Program (OTEIP) MILPERSMAN 1306-300
- Consecutive Overseas Tours (COT) Leave Travel Entitlement Policy MILPERSMAN 1050-410
- Perform to Serve (PTS) MILPERSMAN 1440-060
- Reenlistment Ceremony MILPERSMAN 1160-020
- Reenlistment Leave MILPERSMAN 1050-040
- Required Counseling upon Enlistment and Reenlistment MILPERSMAN 1160-031
- Selective Conversion and Reenlistment (SCORE) Program MILPERSMAN 1160-090
- Selective Reenlistment Bonus (Use Latest SRB NAVADMIN)
- Selective Training and Reenlistment (STAR) Program MILPERSMAN 1160-100
- School as a Reenlistment Incentive MILPERSMAN 1306-1006

### **Fleet Reserve and Retirements:**

- Casualties and Survivor Benefits (SBP) MILPERSMAN 1770 to 1770-250
- Disability Retirement MILPERSMAN 1850-020 to 1850-040
- Fleet Reserve and Retirement MILPERSMAN 1800-010 to 1800-070
- Household Goods and Personal Property (PCS and Retirees) MILPERSMAN 4050-010 to 020
- Permissive Temporary Duty (PTDY) MILPERSMAN 1320-220
- Transition Assistance Management Program OPNAVINST 1900.2(series) (Initiate a DD-2648-1 NLT 90 Days Prior to Separation and attend workshop 12 months prior to separation/Fleet Reserve/Retirement date)

### **Enlisted Administrative Separations:**

- Alcohol Rehabilitation Failure MILPERSMAN 1910-152
- Drug Abuse MILPERSMAN 1910-146
- Early release to further education MILPERSMAN 1910-108
- Enlisted Administrative Separation Policy MILPERSMAN 1910-010 to 1910-812
- Fraudulent Enlistment MILPERSMAN 1910-134
- High Year Tenure (HYT) AC MILPERSMAN 1160-120 / RC 1160-130
- Misconduct (various reasons) MILPERSMAN 1910-138/140/142
- Parenthood and Pregnancy SECNAVINST 1000.10(series) & MILPERSMAN 1910-124
- Personality Disorder MILPERSMAN 1910-122
- Physical Fitness Assessment Failure MILPERSMAN 1910-170
- Serious Offense MILPERSMAN 1910-142
- Unsatisfactory Performance MILPERSMAN 1910-156

**Advancement & Service Schools:**

- Advancement BUPERSINST 1430.16(series)
- Accelerated Advancement MILPERSMAN 1430-010
- Enlisted to Officer Commissioning Program Application & Administration Manual OPNAVINST 1420.1(series)
- Service Schools 1306-600/602/604/608
- Class “A” School & Rating Entry Requirements MILPERSMAN 1306-618
- Retesting with the Armed Forces Classification Test version of the Armed Services Vocational Aptitude Battery (ASVAB) MILPERSMAN 1236-010
- Professional Apprenticeship Tracks Program (PACT) NAVADMIN 318/07

**Education:**

- Joint Chiefs Professional Military Education (PME) Manual 1805.01
- Navy Voluntary Education Program (Navy Campus) OPNAVINST 1560.9(series)
- Tuition Assistance Management Controls NAVADMIN 161/07 / NETC LTR Execution Guidelines 1560 Ser N00178, Aug 07
- Navy Credentialing Program OPNAVINST 1540.56
- Uniformed Services Military Apprenticeship Programs OPNAVINST 1560.10(series)

**Other Quick References:**

- Change in Rank, Rate or Rating MILPERSMAN 1440-010 to 1440-050
- Drug and Alcohol Prevention Control Program OPNAVINST 5350.4(series)
- Exchange of Duty (SWAPS) MILPERSMAN 1306-700
- First Term Personnel Assignment Policy MILPERSMAN 1306-126
- Individual Augmentation (IA) Policy and Procedures OPNAVINST 1001.21(series)
- Military Couple and Single Parent Assignment Policy MILPERSMAN 1300-1000
- Military Pay MILPERSMAN 7220-010 to 7220-390
- Overseas tour Extensions MILPERSMAN 1300-310
- Physical Readiness Program OPNAVINST 6110.1(series) / MILPERSMAN 6100-6199
- Reassignment for Humanitarian reasons (HUMS) MILPERSMAN 1300-500
- Standard Policy and Procedures for the Active Duty for Special Work (ADSW) & 1 year Recall Program OPNAVINST 1001.20(series)
- Operational Risk Management OPNAVINST 3500..39 (Series)



**FIRE CONTROLMAN (FC) SECOND CLASS  
(Apprentice/Journeyman)**

NAME \_\_\_\_\_

**SKILL TRAINING**

(Schools, courses and assignments directly related to occupation)

**REQUIRED SKILL TRAINING**

Course Title	Course Location	CIN/CSE ID	Course Length	Date Completed
Advanced Apprentice Technical Training	Great Lakes, IL	A-100-0151		
Fire Controlman "A" School	Great Lakes, IL	A-100-0141		
Basic Apprentice Technical Training	Great Lakes, IL	A-500-0105		
Surface Common Core	Great Lakes, IL	A-500-0022		

**RECOMMENDED SKILL TRAINING**

Course Title	Course Location	CIN/CSE ID	Course Length	Date Completed
Miniature Electronic Repair	East & West Coast, Hawaii & Japan	A-100-0072		
Microminiature Electronic Repair	East & West Coast, Hawaii & Japan	A-100-0073		
CSOSS Fundamentals	Multiple	A-221-0013		
Fiber Optic Cable Installation, Splicing, And Maintenance	Multiple	A-662-0005		
Fiber Optic Data Multiplex System (FODMS)	Multiple	A-623-0001		
Fiber Optics Maintenance Technician	Multiple	A-670-0063		

**NAVY ENLISTED CLASSIFICATION CODE (NEC) OPPORTUNITIES**

Course Title	Course Location	CIN/CSE ID	Course Length	Date Completed
NATO Sea Sparrow 7M Maintenance	Norfolk, Va	A-104-0204		
AN/SPS-48E Operation and Maintenance	Norfolk, Va	A-104-0206		
MK-86 Gun Fire Control System MOD-9	Norfolk, Va	A-113-0065		
FCS MK-92 Maintenance	San Diego, Ca	A-113-0080		
MK-15 CIWS MODS 11-14	San Diego, Ca/Norfolk, Va	A-113-0114		
Gun Computer System MK-160	Norfolk, Va	A-113-0131		
Rolling Airframe Missile (RAM) MK-31	Norfolk, Va	A-113-0162		
Tactical Tomahawk Weapons Control Sys	San Diego, Ca/Norfolk, Va	A-121-0015		
Ships Self Defense System (SSDS) Mk2	Norfolk, Va	A-150-0029		
FFG-7/36/31NFCS Maint/Operator	San Diego, Ca/Norfolk, Va	A-150-0135		
CV/CVN Combat Direction System	Norfolk, Va	A-150-0260		
LHD Computer/Peripheral	Norfolk, Va	A-150-0271		
LHA Adv CDS	Norfolk, Va	A-150-0300		
Harpoon Weapons System Maint.	Norfolk, Va	J-500-2104		

AEGIS Radar System SPY-1A	Dahlgren, Va	S-104-0191		
AEGIS Radar System SPY-1B/D	Dahlgren, Va	S-104-0210		
AEGIS FCS/ORTS	Dahlgren, Va	S-104-0211		
AEGIS Radar System SPY-1D(v)	Dahlgren, Va	S-104-0996		
AEGIS Computer Operations and Maint.	Dahlgren, Va	S-150-0274		
AEGIS Display System TRK 3	Dahlgren Va.	S-150-0275		
AEGIS Computer Network Technician	Dahlgren, Va.	S-150-0277		
Small Arms Marksmanship Instructor	Various	A-041-0148		
Crew Served Weapons (CSW) Instructor	Multiple	A-830-2215		
HARPOON Engagement Planning Operator	Multiple	J-113-1001		
Global Command / Control Sys Operator	Multiple	A-221-0069		
Ship Self Defense Sys (SSDS) Op & Maint	Dam Neck, Va	Multiple		
MK-31 RAM Operation & Maintenance	Dam Neck, Va	Multiple		
MK-23 Target Acquisition System	Dam Neck, Va	A-121-0471		
AN/SYQ-27 NFCS Op/Maint Tech	Dam Neck, Va	A-150-0052		
Cooperative Engagement Capability (CEC)	Dahlgren, Va	Multiple		
Electromagnetic Compatibility Technician	Norfolk, Va	A-101-0250		
Mini/Micro Test and Repair (2MTR) Tech	Multiple	Multiple		
SNAP III System Administrator	Multiple	A-531-0021		
Tomahawk Mission Dist Sys Operator	Dam Neck, Va	J-243-2952		
Cargo/Weapons Elevator Maint Tech	Great Lakes, Il	A-690-0099		

---

**JOB DESCRIPTION**

Support command and Navy mission by employing knowledge, skills, and abilities obtained during formal and on-the-job training events to perform corrective and preventive maintenance on systems assigned and tasks directed by the chain of command and those appointed over you.

---

**RECOMMENDED BILLET ASSIGNMENTS**

Maintenance technician afloat

**PERSONAL AND PROFESSIONAL DEVELOPMENT (Completed at reporting 30 day Career Development Board)**

Command Address: \_\_\_\_\_ QD Phone Number: \_\_\_\_\_  
\_\_\_\_\_

Division Officer: \_\_\_\_\_ Phone Number: \_\_\_\_\_

Leading Chief Petty Officer: \_\_\_\_\_ Phone Number: \_\_\_\_\_

Leading Petty Officer: \_\_\_\_\_ Phone Number: \_\_\_\_\_

Sponsor/Mentor: \_\_\_\_\_ Phone Number: \_\_\_\_\_

Depart/Division Career Counselor: \_\_\_\_\_ Phone Number: \_\_\_\_\_

ADSD: \_\_\_\_\_ REPORT DATE: \_\_\_\_\_ EAOS: \_\_\_\_\_ PRD: \_\_\_\_\_ SEA / SHORE: \_\_\_\_/\_\_\_\_  
PAYGRADE E5 (3 Years time in service required to be eligible for advancement to E-6)

Date Advanced: \_\_\_\_\_ Eligible Advancement Date: \_\_\_\_\_ Number of times up: \_\_\_\_\_ HYT Date: \_\_\_\_\_

Security Clearance Level \_\_\_\_\_ Date Last updated: \_\_\_\_\_ Command INDOC complete \_\_\_\_\_

**CAREER DEVELOPMENT BOARDS:** Use with OPNAVINST 1040.11(series) & Career Counselor Handbook  
Reason for Convening/Discussion Items: (Upon completion update (CIMS) Career Information Management System)

Reporting (within 30 days for active duty or three drill weekends for SELRES) (Date Conducted): \_\_\_\_\_

6 month progress check (Date Conducted): \_\_\_\_\_ 12 Months \_\_\_\_\_ 24 Months \_\_\_\_\_

36 Months \_\_\_\_\_ 48 Months \_\_\_\_\_ 60 Months \_\_\_\_\_ Special Program/Member Request \_\_\_\_\_

PNA 3 times (Date Conducted): \_\_\_\_\_ Standard Score 40 or less/failed (Date Conducted): \_\_\_\_\_

Advancement Center: Visit NKO Navy Advancement page located under the Career Management Tab

Bibliography for Advancement \_\_\_\_\_ Correspondence Courses \_\_\_\_\_ Catalog of Courses \_\_\_\_\_

Enlisted Advancement Exam Strategy Guide \_\_\_\_\_ Profile Sheets \_\_\_\_\_ Exam Discrepancy List \_\_\_\_\_

Commissioning Programs Applications (Conducted): \_\_\_\_\_ (prior to submission, command endorsement)

Enlisted to Officer Commissioning Program Application & Administration Manual OPNAVINST 1420.1(series):

Seaman to Admiral 21 (STA-21) \_\_\_\_\_ Medical Enlisted Commissioning Program (MECP) \_\_\_\_\_

Naval Academy \_\_\_\_\_ Naval Academy Preparatory School (NAPS) \_\_\_\_\_ Officer Candidate School \_\_\_\_\_

Physical Fitness Test Failure (Conducted): \_\_\_\_\_

HYT 24 months (Date): \_\_\_\_\_ HYT 12 months (Date): \_\_\_\_\_ HYT Waiver Date: \_\_\_\_\_ Approve/Disapprove

PTS 15 months prior to EAOS (Conducted): \_\_\_\_\_ PTS 6 months if not approved (Conducted) \_\_\_\_\_

Rating Conversion \_\_\_\_\_ Navy Formal Training Schools Request ("A"/"C"etc): \_\_\_\_\_

Transfer \_\_\_\_\_ Early Separation: \_\_\_\_\_ Career Status Bonus/Retirement Options: \_\_\_\_\_

**Career Management Calendar:** <https://www.nko.navy.mil/portal/careermanagement/home/careermanagementcalendar>

## **RECORD REVIEW CHECK LIST**

Review your Official Record to see what documentation, qualifications, etc. may be missing or requiring an update. This is a great opportunity to meet with your Mentor, Leading Petty Officer or Leading Chief Petty Officer to understand the importance of keeping your record up-to-date. Check the following three major sections to verify your Official Record:

a) **BUPERS Online** BUPERS Online (<https://www.bol.navy.mil>) is your main tool to ensure your record is up to date and helps you to be proactive in making the most of your promotion opportunity. You should review your;

1) **Official Military Personnel File (OMPF)**: All active duty and reserve personnel having a BOL account, a CAC (with appropriate certificates) and a CAC-enabled computer can now view their OMPF online by selecting the OMPF option on the BOL main menu page. This is the preferred method of obtaining OMPF information to eliminate the unnecessary time-lags caused by waiting days or weeks to receive a requested CD ROM.

2) **If Deployed**: Click on “**Request Record on CD**” to order your Official Military Personnel File (OMPF). This must be accomplished four to six months before a board convenes, which will allow time for delivery and updating of your record if required.

3) Check your **Performance Summary Record (PSR)** and **Enlisted Summary Record (ESR)** on <https://www.bol.navy.mil> click on “ODC, OSR, PSR, ESR” link

b) **Electronic Service Record (ESR) Self-Service ESR**: This can be viewed at (<https://nsips.nmci.navy.mil>) or on the Navy Standard Integrated Personnel System (NSIPS) ESR server onboard ship.

c) **Electronic Training Jacket (ETJ)** Log-on to Navy Knowledge Online (NKO) and review your entire ETJ making sure that each section is correct. If not click on "Data Problems" on bottom of each page which will guide you on how to make corrections or updates.

**QUALIFICATIONS AND CERTIFICATIONS**

<b>Sea/Shore General Qualifications Watch Standing Qualifications</b>	<b>Report Date</b>	<b>Completion Date (If qualification is not required place N/A in this Block)</b>
Ship Board Fire Fighting		
Aviation Fire Fighting		
General Damage Control		
Advanced Damage Control		
3M 301		
3M 302		
3M 303		
3M 304		
Messenger of the Watch (MOOW)		
Petty Officer of the Watch (POOW)		
Officer of the Deck (OOD) (Inport)		
Roving Patrol (Rover)		
Small Weapon Qualification (9mm, Rifle, Shotgun)		
CSOSS Area Supervisor		
Personal Qualifications Standard		

Mandatory warfare qualification for enlisted Sailors assigned to designated warfare qualifying commands:

<b>Warfare qualification programs</b>	<b>Report Date</b>	<b>Completion Date (If qualification is not required place N/A in this Block)</b>
Surface Warfare Specialist		
Aviation Warfare Specialist		

<b>Rate Specific/Department Qualifications (Add)</b>	<b>Report Date</b>	<b>Completion Date (If qualification is not required place N/A in this Block)</b>
Various Reaction Force Watches		
Security Alert Team		
Backup Alert Force		
Combat Systems Training Team		
Anti-Terrorism/Force Protection Training Team		



## CERTIFICATIONS

The following post military occupations are similar to the Fire Controlman Rating. For more information about these occupations, visit NAVY COOL at <https://www.cool.navy.mil>.

Occupation (Civilian Employer)
Computer Hardware Engineers
Computer Systems Analysts
Computer, Automated Teller, and Office Machine Repairers
Data Entry Keyers
Electrical and Electronics Repairers, Commercial and Industrial Equipment
Explosives Workers, Ordnance Handling Experts, and Blasters
First-Line Supervisors of Mechanics, Installers, and Repairers
Helpers--Installation, Maintenance, and Repair Workers
Inspectors, Testers, Sorters, Samplers, and Weighers
Network Systems and Data Communications Analysts
Radio Operators
Software Developers, Systems Software
Telecommunications Equipment Installers and Repairers, Except Line Installers
Training and Development Managers
<b>Military Sealift Command</b>
Chief Radio Electronics Technician

Occupation (Federal Employer)
0804 - Fire Protection Engineering Series
0855 - Electronics Engineering Series
0856 - Electronics Technical Series
1550 - Computer Science Series
2608 - Electronic Digital Computer Mechanic
2610 - Electronic Integrated Systems Mechanic
9944 - Electronics Technician

**Navy COOL:** The following certifications and licenses are applicable to the FC rating. They may require additional education, training or experience.

Target paygrade	Certifying Agency Web Site	Credential Title	Years Experience Required	Comp. date
E4	<a href="#">Computing Technology Industry Association (CompTIA)</a>	CompTIA Certified Technical Trainer (CTT+)	0	
E5	<a href="#">Electronics Technicians Association, International (ETA-I)</a>	Fiber Optics Technician (FOT)	0	
E5	<a href="#">Electronics Technicians Association, International (ETA-I)</a>	Certified Computer Service Technician (CST)	0.5	
E5	<a href="#">Electronics Technicians Association, International (ETA-I)</a>	Fiber Optics Installer (FOI)	0.5	
E6	<a href="#">Electronics Technicians Association, International (ETA-I)</a>	Certified Network Computer Technician (CNCT)	1	
E6	<a href="#">Electronics Technicians Association, International (ETA-I)</a>	Certified Network Systems Technician (CNST)	1	
E6	<a href="#">Hewlett Packard (HP)</a>	Certified Systems Administrator (CSA)	1	
E2	<a href="#">American Board for Certification in Homeland Security (ABCHS)</a>	Certified in Disaster Preparedness (CDP-I)	1 - 5	
E6	<a href="#">Electronics Technicians Association, International (ETA-I)</a>	Associate Electronics Technician (CETa)	<2	
E4	<a href="#">American Board for Certification in Homeland Security (ABCHS)</a>	Certified in Homeland Security Level I (CHS-I)	2	

E4	American Board for Certification in Homeland Security (ABCCHS)	Certified in Homeland Security Level II (CHS-II)	Level I Prereq	
E4	American Board for Certification in Homeland Security (ABCCHS)	Certified in Homeland Security Level III (CHS-III)	Level II Prereq	
E5	American Board for Certification in Homeland Security (ABCCHS)	Certified in Homeland Security Level IV (CHS-IV)	Level III Prereq	
E5	American Board for Certification in Homeland Security (ABCCHS)	Certified in Homeland Security Level V (CHS-V)	Level IV Prereq	
E6	Electronics Technicians Association, International (ETA-I)	RADAR Electronics Technician (RAD)	2	
E6	Electronics Technicians Association, International (ETA-I)	Telecommunications Electronics Technician - Journeyman (TCM)	2	

Visit Navy COOL <https://www.cool.navy.mil> for additional Credentials that you may qualify to earn; however funding may be limited to your GI bill or DANTES.

**USMAP (UNITED SERVICES MILITARY APPRENTICESHIP PROGRAM):**

	Comp. date
Electronics Technician (Professional & Kindred) (0169C)	
Electronics Technician (Professional & Kindred)	
Electronics Mechanic	
Electronics Mechanic (Any Industry)	
Optical-Instrument Assembler (Optical Goods)	
Ordnance Artificer (Government Service)	
Electronics Tester	
Computer Programmer (Professional & Kindred)	
Computer-Peripheral-Equipment Operator (Clerical)	

Visit USMAP <https://usmap.cnet.navy.mil/usmapss/static/usmap.jsp> for additional information

---

**STAY NAVY**

REENLIST / EXTEND: Request Chit/Form: \_\_\_\_\_ Perform to Serve (PTS) Approval Message: \_\_\_\_\_

Selective Conversion and Reenlistment (SCORE): \_\_\_\_\_ Reserve Selective Conversion and Reenlistment (RESCORE: \_\_\_\_\_

Selective Training and Reenlistment (STAR): \_\_\_\_\_ Guaranteed Assignment in Detailing (GUARD 2000): \_\_\_\_\_

School as a Reenlistment Incentive: \_\_\_\_\_ Career Management System/Interactive Detailing (CMS/ID): \_\_\_\_\_

Medical/Dental Screening: \_\_\_\_\_ Command Recommendation (evaluation): \_\_\_\_\_ Bonus: \_\_\_\_\_ Ceremony: \_\_\_\_\_

**PERFORM-TO-SERVE (PTS) FLEET RIDE:**

The Command Career Counselor is your local advocate to assist you with the Perform to Serve (PTS) application process.

- All E3-E6 Sailors with less than 14 years of service must submit a PTS application, regardless of reenlistment intentions.
- Applications must be submitted no later than 12 months prior to expiration of active obligated service (EAOS) or projected rotation date (PRD) if obligated service is required, whichever occurs first.
- Sailors may submit PTS applications up to 12 months prior to EAOS/PRD. (under special circumstances)
- Applications for selected reserve (SELRES) quotas may be submitted between 12 months and 3 months prior to EAOS
- Monthly reenlistment quotas are limited and must be reserved for our best and brightest Sailors who desire to Stay Navy. Sailors must choose one of the following based on their desires and qualifications:
  - Reenlist-in-Rate,
  - Reenlist-in-Rate or Convert to another rating
  - Convert to another rating (only)
  - SELRES option
- Upon completion of the monthly process, PTS results will be available to command users via PTS Monthly report section of the PTS/Fleet RIDE program.
- Additional guidance can be found in MILPERSMAN 1440-060 and NAVADMIN 352/10, see your Career Counselor

**TRANSFER:**

<u>15 Months</u>	<u>12 Months</u>	<u>9 Months</u>	<u>6 Months</u>	<u>Orders Received</u>
PTS _____	PTS _____	PTS _____	Accept Orders _____	Screening _____
Exception Family Member _____	EFM _____	CMS/ID _____	Reverse Sponsor _____	Obligate _____
CMS/ID _____	CMS/ID _____	SRB _____	Relocation (FFSC) _____	Bonus _____
Continuous Overseas Tours (COT) _____			Medical/Dental _____	
Overseas Tour Extension Incentive Program (OTEIP) _____			SRB _____	

For additional assistance in transfer and relocation, go to: <http://www.npc.navy.mil/CareerInfo/PerformtoServe>

---

**SEPARATING/RETIRE**

<u>18 -12 months</u>	<u>6 months</u>	<u>90 days</u>	<u>30 days</u>
Attend TAP/RTAP _____	MED/DEN _____	Copy of Records _____	Copy of Records _____
Complete DD2648PSD _____	Relocation _____	Official Record CD _____	PSD _____
Transition Planning _____	Relocation Services (FFSC) _____	Arrange Ceremony _____	MED/DEN _____
	Reserve Affiliation _____	Request Leave / PTDY _____	
	VA/DVA _____		

**PROFESSIONAL MILITARY EDUCATION**

(Resident and non-resident coursework designed to enhance a Sailor’s general military professional knowledge and abilities)

**EDUCATION: (Prior to considering any pursuit of off duty education or program enrollment VISIT YOUR NAVY COLLEGE OFFICE or call the Virtual Education Center (VEC!!!)**

Education Plan Completed (Navy College Office/VEC \_\_\_\_\_) Current Education Level \_\_\_\_\_

Degree Goal \_\_\_\_\_

\*\*Various distance learning degree options are available using, Sailor and Marine Online Academic Advisor (SMOLAA )\*\*

Goal: Date: AA/AS \_\_\_\_\_ BA/BS \_\_\_\_\_ Master \_\_\_\_\_ Doctorate \_\_\_\_\_

(Credits to earn a degree - AA/AS: 60 SH/90 QH, BA/BS: 120 SH/180, QH, Master /Doctorate: Variable based on program)

Number of current credits \_\_\_\_\_ American Council on Education (ACE) recommended credits \_\_\_\_\_

SOCNAV Agreement \_\_\_\_\_ SMART Transcripts \_\_\_\_\_ HS Transcripts \_\_\_\_\_ College Transcripts \_\_\_\_\_

Date Degree Obtained: AA/AS \_\_\_\_\_ BA/BS \_\_\_\_\_ Master \_\_\_\_\_ Doctorate \_\_\_\_\_

For entry into SMART, Send official transcripts to:  
 Center for Personal and Professional Development  
 Attn: Virtual Education Center  
 1905 Regulus Avenue, Ste. 234  
 Virginia Beach VA 23461-2009  
 Phone: 1-877-838-1659  
 Comm: 757-492-4684  
 FAX: 757-492-5095  
 DSN: 492-4684  
 Email: [VEC@navy.mil](mailto:VEC@navy.mil)

**VOLUNTARY EDUCATION (Study guides and exam preparations and practice test located on NKO)**

Academic skills \_\_\_\_\_ NCPACE \_\_\_\_\_ CLEP \_\_\_\_\_ DSST \_\_\_\_\_ TA \_\_\_\_\_ MGIB \_\_\_\_\_ Post 9/11 GIB \_\_\_\_\_

**E5 REQUIRED NAVY PME:**

Course Title	Course Location	CIN/CSE ID	Course Length	Date Completed
Required General Military Training (GMT)	Command Delivered			
Driving for Life	NKO	CPD-DFL-01 / US	5 Hours	
DON/DOD Information Assurance Training	NKO	DOD-IAA-V5.0 / DOD	1 Hour	
Trafficking in Persons Basic Awareness Training	NKO	jkddc-tip-1 US / US DON	4 Hours	
ATFP Level I Awareness for Service Members (CONUS)	NKO	CANSF-ATFP-CONUS-1.0 / DON	1 Hour	
ATFP Level I Awareness Training for Overseas Service Member (OCONUS)	NKO	CANSF-ATFP-OCONUS-1	1 Hour	
Petty Officer First Class Selectee Leadership Course-Phase One	Command Delivered	CPPD-LEAD09-003	3 x 4 Hour Modules	
Petty Officer First Class Selectee Leadership Course-Phase Two	Command Delivered	CPPD-LEAD09-003	5 x 2 Hour Modules	
Leadership Core Continuum (LCC)	Command Delivered		20 Hours	
ADAMS for Supervisors	Various Locations	S-501-0120	8 Hours	

**E5 REQUIRED COMMUNITY PME:**

Course Title	Course Location	CIN/CSE ID	Course Length	Date Completed
None				

**E5 RECOMMENDED NAVY PME:**

Course Title	Course Location	CIN/CSE ID	Course Length	Date Completed
Basic Enlisted Professional Military Education (IEPME)	NKO	Military DON/ PME	20 Hours Total	
Block 1 Basic EPME - Introduction	NKO	EPME-BASIC-B1		
Block 2 Basic EPME - Navy History and Heritage	NKO	EPME-BASIC-B2		
Block 3 Basic EPME - The Navy Professional	NKO	EPME-BASIC-B3		
Block 4 Basic EPME - Organization and Guidance	NKO	EPME-BASIC-B4		
Block 5 Basic EPME - Planning	NKO	EPME-BASIC-B5		
Block 6 Basic EPME - Regional Expertise and Cultural Awareness	NKO	EPME-BASIC-B6		
Block 7 Basic EPME - Technology for the Warfighter	NKO	EPME-BASIC-B7		
Block 8 Basic EPME - Conclusion	NKO	EPME-BASIC-B8		
Navy Reserve Fundamentals for Active Duty Course	NKO	NAVRESFOR-NRF-2.0	10 hours	
Nutrition	NKO	NMHCI2107V2.1	1 hour	
ORM All Navy Fundamentals	NKO	CPD-GMT07-011	1 hour	
College/Certification Testing Programs Reviews	NKO			
Culture	NKO or College Course	Foreign Language and Culture	45 hrs	
Communication	College Course		45 hrs	
Eng 101	College Course		45 hrs	
Eng Reading	College Course		45 hrs	
Eng Writing	College Course		45 hrs	
Geography	College Course		45 hrs	
History	College Course		45 hrs	
Humanities	College Course		45 hrs	
Language and Literature Study Guides	College Course		45 hrs	
Math	College Course		45 hrs	
Physical Sciences	College Course		45 hrs	
Social Sciences	College Course		45 hrs	
Speech	College Course		45 hrs	

**Courses With Recommended Reserve Points:**

Click this link for an Excel file of all Navy E-Learning courses offering "RECOMMENDED" reserve points. **NOTE:** Commander Navy Reserve Forces (CNRF) N7 determines the number of reserve points awarded for completion of a course taken on Navy E-Learning. This listing should only be used as a guide and is subject to change by direction of CNRF N7.

**Navy E-Learning has no control over how many, if any, reserve points are eventually awarded for the completion of a course. All questions concerning the award of reserve points should be directed to CNRF N7.**

<https://file-lms-cont01.nko.navy.mil/training/Courses With Recommended Reserve Points.xls>

**RECOMMENDED RESERVE PME:**

Course Title	Course Location	CIN/CSE ID	Course Length	Date Completed
NROWS Orders Administration Course	NKO	R-500-0140/02PG /DoN	8 hours	
Naval Reserve Center Commanding Officer Officer In Charge	NKO	CNRFC-COOIC-1.0 /DoN	8 hours	
Guidance for Mobilization	NKO	CNRFC-GMB-1.1 /DoN	4 hours	
Military Sealift Command 101	NKO	CNRFC-MS101 /DoN 1.1	24 hours	
Non-Prior Service Accession Program	NKO	CNRFC-NPSAP-2 /DoN 0	23 hours	

**RECOMMENDED COMMUNITY PME:**

Course Title	Course Location	CIN/CSE ID	Course Length	Date Completed
None				

**NAVY PROFESSIONAL READING PROGRAM:**

The purpose of the Navy Reading Program is to facilitate the professional and personal development of all sailors, seaman to admiral, active and reserve. Simply reading for pleasure is certainly encouraged, but the NPRP will facilitate reading material that may help develop skills and abilities that can be helpful in both your professional and personal lives.

<http://www.navyreading.navy.mil/>

**LEADING PETTY OFFICERS COLLECTION**

Title	Completed
The Caine Mutiny: A Novel by <i>Herman Wouk</i>	
The Sheriff: America's Defense of the New World Order by <i>Colin S. Gray</i>	
The Last Stand of the Tin Can Sailors: The Extraordinary World War II Story of the U.S. Navy's Finest Hour by <i>James D. Hornfischer</i>	
To the Shores of Tripoli: The Birth of the U.S. Navy and Marines by <i>A. B. C. Whipple</i>	
Victory at Yorktown: The Campaign That Won the Revolution by <i>Richard M. Ketchum</i>	
The Crisis of Islam: Holy War and Unholy Terror by <i>Bernard Lewis</i>	
The Sand Pebbles by <i>Richard McKenna</i>	
The Elephant and the Dragon: The Rise of India and China and What It Means for All of Us by <i>Robyn Meredith</i>	
Shackleton's Way: Leadership Lessons from the Great Antarctic Explorer by <i>Margot Morrell</i>	
Billy Budd and Other Stories (Penguin Classics) by <i>Herman Melville</i>	
The Tipping Point: How Little Things Can Make a Big Difference by <i>Malcolm Gladwell</i>	
American Government by <i>Robert A Heineman</i>	

**RECOMMENDED COMMUNITY READING**

Title	Completed
FC Volumes	
GM Volumes	
Naval Electronics Engineering Training Series (NEETS) Modules	
Theory of Combat Systems Alignment Manual (CSAM)	
Combat Systems Operational Sequencing System (CSOSS) Manuals (For your specific platform)	
Aegis Caps & Lims	
TACMEMOs (for your specific platform/system)	

## **REFERENCES**

### **Navy Enlisted Learning and Development Programs:**

- Learning and Development Roadmap for Enlisted Sailors, OPNAVINST 1500.77(series)
- Navy Retention and Career Development Program, OPNAVINST 1040.11(series)
- Career Counselor Handbook, NAVPERS 15878
- Command Sponsor and Indoctrination Program OPNAVINST 1740.3(series) (Sponsor assigned within 10 days of orders received / Indoctrination completed as soon as possible and practicable but NLT 90 days)
- Command Sponsorship of Dependents at Overseas Duty MILPERSMAN 1300-150 to 1300-210
- Guaranteed Assignment Retention Detailing Program GUARD 2000, MILPERSMAN 1306-1002/1004
- Navy Enlisted Warfare Qualification Program OPNAVINST 1414.9 (series)
- Master Training Specialists (MTS) NETCINST 1500.2(series)
- Command Master Chief Program OPNAVINST 1306.2 (series)

### **Reenlistments and Extensions:**

- Agreement of Enlisted Naval Reservist, Inductees and Fleet Reservists to remain on Active Duty MILPERSMAN 1160-060
- Career Reenlistment Objectives (use latest CREO NAVADMIN)
- Extension of Enlistment MILPERSMAN 1160-040
- Overseas Tour Extension Incentives Program (OTEIP) MILPERSMAN 1306-300
- Consecutive Overseas Tours (COT) Leave Travel Entitlement Policy MILPERSMAN 1050-410
- Perform to Serve (PTS) MILPERSMAN 1440-060
- Reenlistment Ceremony MILPERSMAN 1160-020
- Reenlistment Leave MILPERSMAN 1050-040
- Required Counseling upon Enlistment and Reenlistment MILPERSMAN 1160-031
- Selective Conversion and Reenlistment (SCORE) Program MILPERSMAN 1160-090
- Selective Reenlistment Bonus (Use Latest SRB NAVADMIN)
- Selective Training and Reenlistment (STAR) Program MILPERSMAN 1160-100
- School as a Reenlistment Incentive MILPERSMAN 1306-1006

### **Fleet Reserve and Retirements:**

- Casualties and Survivor Benefits (SBP) MILPERSMAN 1770 to 1770-250
- Disability Retirement MILPERSMAN 1850-020 to 1850-040
- Fleet Reserve and Retirement MILPERSMAN 1800-010 to 1800-070
- Household Goods and Personal Property (PCS and Retirees) MILPERSMAN 4050-010 to 020
- Permissive Temporary Duty (PTDY) MILPERSMAN 1320-220
- Transition Assistance Management Program OPNAVINST 1900.2(series) (Initiate a DD-2648-1 NLT 90 Days Prior to Separation and attend workshop 12 months prior to separation/Fleet Reserve/Retirement date)

### **Enlisted Administrative Separations:**

- Alcohol Rehabilitation Failure MILPERSMAN 1910-152
- Drug Abuse MILPERSMAN 1910-146
- Early release to further education MILPERSMAN 1910-108
- Enlisted Administrative Separation Policy MILPERSMAN 1910-010 to 1910-812
- Fraudulent Enlistment MILPERSMAN 1910-134
- High Year Tenure (HYT) AC MILPERSMAN 1160-120 / RC 1160-130
- Misconduct (various reasons) MILPERSMAN 1910-138/140/142
- Parenthood and Pregnancy SECNAVINST 1000.10(series) & MILPERSMAN 1910-124
- Personality Disorder MILPERSMAN 1910-122
- Physical Fitness Assessment Failure MILPERSMAN 1910-170
- Serious Offense MILPERSMAN 1910-142
- Unsatisfactory Performance MILPERSMAN 1910-156

### **Advancement & Service Schools:**

- Advancement BUPERSINST 1430.16(series)
- Accelerated Advancement MILPERSMAN 1430-010
- Enlisted to Officer Commissioning Program Application & Administration Manual OPNAVINST 1420.1(series)
- Service Schools 1306-600/602/604/608
- Class “A” School & Rating Entry Requirements MILPERSMAN 1306-618
- Retesting with the Armed Forces Classification Test version of the Armed Services Vocational Aptitude Battery (ASVAB) MILPERSMAN 1236-010
- Professional Apprenticeship Tracks Program (PACT) NAVADMIN 318/07

### **Education:**

- Joint Chiefs Professional Military Education (PME) Manual 1805.01
- Navy Voluntary Education Program (Navy Campus) OPNAVINST 1560.9(series)
- Tuition Assistance Management Controls NAVADMIN 161/07 / NETC LTR Execution Guidelines 1560 Ser N00178, Aug 07
- Navy Credentialing Program OPNAVINST 1540.56
- Uniformed Services Military Apprenticeship Programs OPNAVINST 1560.10(series)

### **Other Quick References:**

- Change in Rank, Rate or Rating MILPERSMAN 1440-010 to 1440-050
- Department of the Navy Correspondence Manual (SECNAV M-5216.5 (Series)
- Drug and Alcohol Prevention Control Program OPNAVINST 5350.4(series)
- Exchange of Duty (SWAPS) MILPERSMAN 1306-700
- First Term Personnel Assignment Policy MILPERSMAN 1306-126
- Individual Augmentation (IA) Policy and Procedures OPNAVINST 1001.21(series)
- Military Couple and Single Parent Assignment Policy MILPERSMAN 1300-1000
- Military Pay MILPERSMAN 7220-010 to 7220-390
- Naval Performance Evaluation System BUPERSINST 1610.10 (Series)
- Overseas tour Extensions MILPERSMAN 1300-310
- Physical Readiness Program OPNAVINST 6110.1(series) / MILPERSMAN 6100-6199
- Reassignment for Humanitarian reasons (HUMS) MILPERSMAN 1300-500
- Standard Policy and Procedures for the Active Duty for Special Work (ADSW) & 1 year Recall Program OPNAVINST 1001.20(series)
- Operational Risk Management OPNAVINST 3500..39(Series)





**FIRE CONTROLMAN (FC) FIRST CLASS  
(Journeyman)**

NAME \_\_\_\_\_

**SKILL TRAINING**

(Schools, courses and assignments directly related to occupation)

**REQUIRED SKILL TRAINING**

Course Title	Course Location	CIN/CSE ID	Course Length	Date Completed
None				

**RECOMMENDED SKILL TRAINING**

Course Title	Course Location	CIN/CSE ID	Course Length	Date Completed
AEGIS Weapon System	Dahlgren, VA	Various		
CSC TACOPS	Various	Various		
Enlisted Tactical Application (ETAC)	Multiple	J-221-0025		
Ship's Warfare Coordinator	Multiple	J-221-0324		
Self Defense Surf Missile System Tech	Dam Neck, VA	A-121-0553		
Tac T-Hawk Weapon Control Sys Watch-O	Multiple	A-121-0017		
CSOSS Fundamentals	Multiple	A-221-0013		
AEGIS Combat Systems Maint Team	Multiple	S-121-0484		

**NAVY ENLISTED CLASSIFICATION CODE (NEC) OPPORTUNITIES**

Course Title	Course Location	CIN/CSE ID	Course Length	Date Completed
<u>Note:</u> All Previously Listed NECs Plus...				
AEGIS Weapon System MK-7 Technician	Dahlgren, Va	S-121-0547		
Improved Self Defense Surf Missile System	Dam Neck, Va	A-121-0553		
AEGIS Radar System Supervisor	Dahlgren, Va	Special		
AEGIS FCS/ORTS Supervisor	Dahlgren, Va	S-104-0211		
AEGIS Computer System Supervisor	Dahlgren, Va	S-150-0274		
AEGIS Display System Supervisor	Dahlgren Va.	S-150-0275		
AEGIS Computer Network Supervisor	Dahlgren, Va.	S-150-0277		

**JOB DESCRIPTION**

Support command and Navy mission by employing knowledge, skills, and abilities obtained during formal and on-the-job training events to perform corrective and preventive maintenance on systems assigned and tasks directed by the chain of command and those appointed over you.

**RECOMMENDED BILLET ASSIGNMENTS**

Work Center Supervisor afloat or ashore

Leading Petty Officer afloat or ashore

Other Opportunities: Joint Assignments  
Recruiter  
RDC  
CAAC

GWOT Support Assignments

Instructor  
DAPA  
Career Counselor

**PERSONAL AND PROFESSIONAL DEVELOPMENT (Completed at reporting 30 day Career Development Board)**

Command Address: \_\_\_\_\_ QD Phone Number: \_\_\_\_\_  
\_\_\_\_\_

Division Officer: \_\_\_\_\_ Phone Number: \_\_\_\_\_

Leading Chief Petty Officer: \_\_\_\_\_ Phone Number: \_\_\_\_\_

Leading Petty Officer: \_\_\_\_\_ Phone Number: \_\_\_\_\_

Sponsor/Mentor: \_\_\_\_\_ Phone Number: \_\_\_\_\_

Depart/Division Career Counselor: \_\_\_\_\_ Phone Number: \_\_\_\_\_

ADSD: \_\_\_\_\_ REPORT DATE: \_\_\_\_\_ EAOS: \_\_\_\_\_ PRD: \_\_\_\_\_ SEA / SHORE: \_\_\_\_/\_\_\_\_  
PAYGRADE E6 (3 Years time in service required to be eligible for advancement to E-7)

Date Advanced: \_\_\_\_\_ Eligible Advancement Date: \_\_\_\_\_ Number of times up: \_\_\_\_\_ HYT Date: \_\_\_\_\_

Security Clearance Level \_\_\_\_\_ Date Last updated: \_\_\_\_\_ Command INDOC complete \_\_\_\_\_

**CAREER DEVELOPMENT BOARDS:** Use with OPNAVINST 1040.11(series) & Career Counselor Handbook  
Reason for Convening/Discussion Items: (Upon completion update (CIMS) Career Information Management System)

Reporting (within 30 days for active duty or three drill weekends for SELRES) (Date Conducted): \_\_\_\_\_

6 month progress check (Date Conducted): \_\_\_\_\_ 12 Months \_\_\_\_\_ 24 Months \_\_\_\_\_

36 Months \_\_\_\_\_ 48 Months \_\_\_\_\_ 60 Months \_\_\_\_\_ Special Program/Member Request \_\_\_\_\_

PNA 3 times (Date Conducted): \_\_\_\_\_ Standard Score 40 or less/failed (Date Conducted): \_\_\_\_\_

Advancement Center: Visit NKO Navy Advancement page located under the Career Management Tab

Correspondence Courses \_\_\_\_\_ Catalog of Courses \_\_\_\_\_

Enlisted Advancement Exam Strategy Guide \_\_\_\_\_ Profile Sheets \_\_\_\_\_ Exam Discrepancy List \_\_\_\_\_

Selection Board Ineligible (Conducted): \_\_\_\_\_ Non Select 3 times (Conducted): \_\_\_\_\_

Commissioning Programs Applications (Conducted): \_\_\_\_\_ (prior to submission, command endorsement)

Enlisted to Officer Commissioning Program Application & Administration Manual OPNAVINST 1420.1(series):

Seaman to Admiral 21 (STA-21) \_\_\_\_\_ Medical Enlisted Commissioning Program (MECP) \_\_\_\_\_

Officer Candidate School \_\_\_\_\_ Limited Duty Officer \_\_\_\_\_

Physical Fitness Test Failure (Conducted): \_\_\_\_\_ Career Status Bonus (election message received) (Conducted): \_\_\_\_\_

HYT 24 months (Date): \_\_\_\_\_ HYT 12 months (Date): \_\_\_\_\_ HYT Waiver Date: \_\_\_\_\_ Approve/Disapprove

PTS 15 months prior to EAOS (Conducted): \_\_\_\_\_ PTS 6 months if not approved (Conducted) \_\_\_\_\_

Rating Conversion \_\_\_\_\_ Navy Formal Training Schools Request ("A"/"C" etc): \_\_\_\_\_

Transfer \_\_\_\_\_ Early Separation: \_\_\_\_\_ Fleet Reserve Retirement Options: \_\_\_\_\_

**Career Management Calendar:** <https://www.nko.navy.mil/portal/careermanagement/home/careermanagementcalendar>

## SELECTION BOARD CHECK LIST FOR E6 PROMOTION TO CPO

Step 1 - Review your Official Record to see what documentation, qualifications, etc. may be missing or requiring an update. This should be accomplished every six months after promotion to Second Class. However, it is imperative that this is accomplished six months prior to a selection board. Check the following three major sections to verify your Official Record:

- a) **BUPERS Online** BUPERS Online (<https://www.bol.navy.mil>) is your main tool for board preparation and helps you to be proactive in making the most of your promotion opportunity. You should review your:
  - 1) **Official Military Personnel File (OMPF)**: All active duty and reserve personnel having a BOL account, a CAC (with appropriate certificates) and a CAC-enabled computer can now view their OMPF online by selecting the OMPF option on the BOL main menu page. This is the preferred method of obtaining OMPF information to eliminate the unnecessary time-lags caused by waiting days or weeks to receive a requested CD ROM.
  - 2) **If Deployed**: Click on “**Request Record on CD**” to order your Official Military Personnel File (OMPF). This must be accomplished four to six months before a board convenes, which will allow time for delivery and updating of your record if required.
  - 3) Check your **Performance Summary Record (PSR)** and **Enlisted Summary Record (ESR)** on <https://www.bol.navy.mil> click on “ODC, OSR, PSR, ESR” link
- b) **Electronic Service Record (ESR)** Self-Service ESR: This can be viewed at (<https://nsips.nmci.navy.mil>) or on the Navy Standard Integrated Personnel System (NSIPS) ESR server onboard ship.
- c) **Electronic Training Jacket (ETJ)** Log-on to Navy Knowledge Online (NKO) and review your entire ETJ making sure that each section is correct. If not click on "Data Problems" on bottom of each page which will guide you on how to make corrections or updates.

Step 2 – Submit appropriate missing documents to the selection board.

- a) Selection board packages provide candidates the opportunity to submit any documents missing from the sections of their records which are viewed by the selection boards. MILPERSMAN 1070-080 specifies which documents from the enlisted permanent personnel record are provided to the selection board for review. Any documents the member has verified as missing from those sections of their permanent personnel record may be submitted as a selection board package.
- b) For submissions directly to the board and for those circumstances where the eligible candidate cannot get their official record updated and confirmed prior to the selection board convening date:
  1. All correspondence should be on plain white paper for readability; paper clipped (no staples, binders, folders, or tabs) and submitted under cover letter to the president of the board. Candidates must verify the correct subject line and board number (see below) is on their cover letters to ensure their packages appear before the proper board.
  2. Correspondence must include your Full name and SSN, must be affixed and legible on all documents submitted, and must be postmarked not later than that date listed in the associated NAVADMIN and addressed to:

NAVY PERSONNEL COMMAND CUSTOMER SERVICE CENTER  
PRESIDENT  
FY-XX ACTIVE/RESERVE E7 ENLISTED SELECTION BOARD #XXX  
5640 TICONDEROGA LOOP BLDG 768 RM E302  
MILLINGTON TN 38055  
(Active = 360 / SELRES = 335 / FTS = 336)

(Use of special handling mail (certified or registered) is not advised due to significant delays in handling.)

- c) Ensure official record reflects any individual augmentation mission. (awards, evals, NEC, etc).
- d) Check (<http://www.npc.navy.mil/Boards/ActiveDutyEnlisted/GeneralInformation.htm>) to verify that the selection board has received your correspondence (if sent).

**NOTE: It is highly recommended that if corrections or updates are made, review your OMPF, or if deployed, re-order your CD-Rom to confirm changes. (NOTE: Please allow 60 days for changes to take effect)**

Step 3 - After reviewing your service record - such as evaluations, awards, qualifications, etc. - start reviewing what you can do to improve yourself, such as:

- a) Request a **Career Development Board (CDB)** through your chain of command.
- b) Take a good, hard look at the type of **Collateral Duties** you are assigned. Review your command collateral duties instruction and talk with your COC and / or appear before the CDB. Take the tough command duties that provide the most involvement in the command as a whole and that have direct sailor support.
- c) Review your current level of education to see how far along you are in earning a **college degree** and pursue **non-resident Navy courses** to expand your level of knowledge. Complete the **Navy e-Learning courses on NKO** that are recommended in this document.
- d) Check out **OTHER Learning Opportunities** to add to your service record, such as the CANTRAC Volume I (Training Facilities) and CANTRAC Volume II (Course Descriptions). NKO at Learning > Learning Opportunities

Step 4 - Review qualifications that your rating values or requires for advancement and create a plan to earn these important pieces in the professional growth and advancement puzzle. Read the applicable NAVADMIN for additional dates and information, and review previous selection board precepts.

Step 5 - Prepare for the next CPO Advancement Exam cycle in January for Active Duty & February for Reserves as soon as the Bibliography References are posted six months prior in July. Use the Navy Advancement Center info and website listed above in the advancement section.

**QUALIFICATIONS AND CERTIFICATIONS**

<b>Sea/Shore General Qualifications Watch Standing Qualifications</b>	<b>Report Date</b>	<b>Completion Date (If qualification is not required place N/A in this Block)</b>
Ship Board Fire Fighting		
Aviation Fire Fighting		
General Damage Control		
Advanced Damage Control		
3M 301		
3M 302		
3M 303		
3M 304		
Petty Officer of the Watch (POOW)		
Officer of the Deck (OOD) (Inport)		
Combat Systems Officer of the Watch (CSOOW)		
Small Weapon Qualification (9mm, Rifle, Shotgun)		
Junior Officer of the Deck (JOOD) (Underway)		
Personal Qualifications Standard		

**Mandatory warfare qualification for enlisted Sailors assigned to designated warfare qualifying commands:**

<b>Warfare qualification programs</b>	<b>Report Date</b>	<b>Completion Date (If qualification is not required place N/A in this Block)</b>
Surface Warfare Specialist		
Aviation Warfare Specialist		

<b>Rate Specific/Department Qualifications (Add)</b>	<b>Report Date</b>	<b>Completion Date (If qualification is not required place N/A in this Block)</b>
Various Reaction Force Watches		
Security Alert Team		
Backup Alert Force		
Duty Combat Systems Officer		
Combat Systems Training Team		
Anti-Terrorism/Force Protection Training Team		

## CERTIFICATIONS

The following post military occupations are similar to the Fire Controlman Rating. For more information about these occupations, visit NAVY COOL at <https://www.cool.navy.mil>.

Occupation (Civilian Employer)
Computer Hardware Engineers
Computer Systems Analysts
Computer, Automated Teller, and Office Machine Repairers
Data Entry Keyers
Electrical and Electronics Repairers, Commercial and Industrial Equipment
Explosives Workers, Ordnance Handling Experts, and Blasters
First-Line Supervisors of Mechanics, Installers, and Repairers
Helpers--Installation, Maintenance, and Repair Workers
Inspectors, Testers, Sorters, Samplers, and Weighers
Network Systems and Data Communications Analysts
Radio Operators
Software Developers, Systems Software
Telecommunications Equipment Installers and Repairers, Except Line Installers
Training and Development Managers
<b>Military Sealift Command</b>
Chief Radio Electronics Technician

Occupation (Federal Employer)
0804 - Fire Protection Engineering Series
0855 - Electronics Engineering Series
0856 - Electronics Technical Series
1550 - Computer Science Series
2608 - Electronic Digital Computer Mechanic
2610 - Electronic Integrated Systems Mechanic
9944 - Electronics Technician

**Navy COOL:** The following certifications and licenses are applicable to the FC rating. They may require additional education, training or experience.

Target paygrade	Certifying Agency Web Site	Credential Title	Years Experience Required	Comp. date
E4	<a href="#">Computing Technology Industry Association (CompTIA)</a>	CompTIA Certified Technical Trainer (CTT+)	0	
E5	<a href="#">Electronics Technicians Association, International (ETA-I)</a>	Fiber Optics Technician (FOT)	0	
E5	<a href="#">Electronics Technicians Association, International (ETA-I)</a>	Certified Computer Service Technician (CST)	0.5	
E5	<a href="#">Electronics Technicians Association, International (ETA-I)</a>	Fiber Optics Installer (FOI)	0.5	
E6	<a href="#">Electronics Technicians Association, International (ETA-I)</a>	Certified Network Computer Technician (CNCT)	1	
E6	<a href="#">Electronics Technicians Association, International (ETA-I)</a>	Certified Network Systems Technician (CNST)	1	
E6	<a href="#">Hewlett Packard (HP)</a>	Certified Systems Administrator (CSA)	1	
E2	<a href="#">American Board for Certification in Homeland Security (ABCHS)</a>	Certified in Disaster Preparedness (CDP-I)	1 - 5	
E6	<a href="#">Electronics Technicians Association, International (ETA-I)</a>	Associate Electronics Technician (CETa)	<2	
E4	<a href="#">American Board for Certification in Homeland Security (ABCHS)</a>	Certified in Homeland Security Level I (CHS-I)	2	

E4	American Board for Certification in Homeland Security (ABCCHS)	Certified in Homeland Security Level II (CHS-II)	Level I Prereq	
E4	American Board for Certification in Homeland Security (ABCCHS)	Certified in Homeland Security Level III (CHS-III)	Level II Prereq	
E5	American Board for Certification in Homeland Security (ABCCHS)	Certified in Homeland Security Level IV (CHS-IV)	Level III Prereq	
E5	American Board for Certification in Homeland Security (ABCCHS)	Certified in Homeland Security Level V (CHS-V)	Level IV Prereq	
E6	Electronics Technicians Association, International (ETA-I)	RADAR Electronics Technician (RAD)	2	
E6	Electronics Technicians Association, International (ETA-I)	Telecommunications Electronics Technician - Journeyman (TCM)	2	

Visit Navy COOL <https://www.cool.navy.mil> for additional Credentials that you may qualify to earn; however funding may be limited to your GI bill or DANTES.

**USMAP (UNITED SERVICES MILITARY APPRENTICESHIP PROGRAM):**

	Comp. date
Electronics Technician (Professional & Kindred) (0169C)	
Electronics Technician (Professional & Kindred)	
Electronics Mechanic	
Electronics Mechanic (Any Industry)	
Optical-Instrument Assembler (Optical Goods)	
Ordnance Artificer (Government Service)	
Electronics Tester	
Computer Programmer (Professional & Kindred)	
Computer-Peripheral-Equipment Operator (Clerical)	

Visit USMAP <https://usmap.cnet.navy.mil/usmapss/static/usmap.jsp> for additional information

---

**STAY NAVY**

REENLIST / EXTEND: Request Chit/Form: \_\_\_\_\_ Perform to Serve (PTS) Approval Message: \_\_\_\_\_

Selective Conversion and Reenlistment (SCORE): \_\_\_\_\_ Reserve Selective Conversion and Reenlistment (RESCORE): \_\_\_\_\_

Selective Training and Reenlistment (STAR): \_\_\_\_\_ Guaranteed Assignment in Detailing (GUARD 2000): \_\_\_\_\_

School as a Reenlistment Incentive: \_\_\_\_\_ Career Management System (CMS/ID): \_\_\_\_\_

Medical/Dental Screening: \_\_\_\_\_ Command Recommendation (evaluation): \_\_\_\_\_ Bonus: \_\_\_\_\_ Ceremony: \_\_\_\_\_

**PERFORM-TO-SERVE (PTS) FLEET RIDE:**

The Command Career Counselor is your local advocate to assist you with the Perform to Serve (PTS) application process.

- All E3-E6 Sailors with less than 14 years of service must submit a PTS application, regardless of reenlistment intentions.
- Applications must be submitted no later than 12 months prior to expiration of active obligated service (EAOS) or projected rotation date (PRD) if obligated service is required, whichever occurs first.
- Sailors may submit PTS applications up to 12 months prior to EAOS/PRD. (under special circumstances)
- Applications for selected reserve (SELRES) quotas may be submitted between 12 months and 3 months prior to EAOS
- Monthly reenlistment quotas are limited and must be reserved for our best and brightest Sailors who desire to Stay Navy. Sailors must choose one of the following based on their desires and qualifications:
  - Reenlist-in-Rate,
  - Reenlist-in-Rate or Convert to another rating
  - Convert to another rating (only)
  - SELRES option
- Upon completion of the monthly process, PTS results will be available to command users via PTS Monthly report section of the PTS/Fleet RIDE program.
- Additional guidance can be found in MILPERSMAN 1440-060 and NAVADMIN 352/10, see your Career Counselor

**TRANSFER:**

<u>15 Months</u>	<u>12 Months</u>	<u>9 Months</u>	<u>6 Months</u>	<u>Orders Received</u>
PTS _____	PTS _____	PTS _____	Accept Orders _____	Screening _____
Exception Family Member _____	EFM _____	CMS/ID _____	Reverse Sponsor _____	Obligate _____
CMS/ID _____	CMS/ID _____	SRB _____	Relocation (FFSC) _____	Bonus _____
Continuous Overseas Tours (COT) _____			Medical/Dental _____	
Overseas Tour Extension Incentive Program (OTEIP) _____			SRB _____	

For additional assistance in transfer and relocation, go to: <http://www.npc.navy.mil/CareerInfo/PerformtoServe>

---

**SEPARATING/RETIRE**

<u>18 -12 months</u>	<u>6 months</u>	<u>90 days</u>	<u>30 days</u>
Attend TAP/RTAP _____	MED/DEN _____	Copy of Records _____	Copy of Records _____
Complete DD2648PSD _____	Relocation _____	Official Record CD _____	PSD _____
Transition Planning _____	Relocation Services (FFSC) _____	Arrange Ceremony _____	MED/DEN _____
	Reserve Affiliation _____	Request Leave / PTDY _____	
	VA/DVA _____		



**PROFESSIONAL MILITARY EDUCATION**

(Resident and non-resident coursework designed to enhance a Sailor’s general military professional knowledge and abilities)

**EDUCATION: (Prior to considering any pursuit of off duty education or program enrollment VISIT YOUR NAVY COLLEGE OFFICE or call the Virtual Education Center (VEC!!!))**

Education Plan Completed (Navy College Office/VEC \_\_\_\_\_) Current Education Level \_\_\_\_\_

Degree Goal \_\_\_\_\_

\*\*Various distance learning degree options are available using, Sailor and Marine Online Academic Advisor (SMOLAA)\*\*

Goal: Date: AA/AS \_\_\_\_\_ BA/BS \_\_\_\_\_ Master \_\_\_\_\_ Doctorate \_\_\_\_\_  
 (Credits to earn a degree - AA/AS: 60 SH/90 QH, BA/BS: 120 SH/180, QH, Master /Doctorate: Variable based on program)

Number of current credits \_\_\_\_\_ American Council on Education (ACE) recommended credits \_\_\_\_\_

SOCNAV Agreement \_\_\_\_\_ SMART Transcripts \_\_\_\_\_ HS Transcripts \_\_\_\_\_ College Transcripts \_\_\_\_\_

Date Degree Obtained: AA/AS \_\_\_\_\_ BA/BS \_\_\_\_\_ Master \_\_\_\_\_ Doctorate \_\_\_\_\_

For entry into SMART, Send official transcripts to:  
 Center for Personal and Professional Development

Attn: Virtual Education Center  
 1905 Regulus Avenue, Ste. 234  
 Virginia Beach VA 23461-2009  
 Phone: 1-877-838-1659  
 Comm: 757-492-4684  
 FAX: 757-492-5095  
 DSN: 492-4684  
 Email: [VEC@navy.mil](mailto:VEC@navy.mil)

**VOLUNTARY EDUCATION (Study guides and exam preparations and practice test located on NKO)**

Academic skills \_\_\_\_\_ NCPACE \_\_\_\_\_ CLEP \_\_\_\_\_ DSST \_\_\_\_\_ TA \_\_\_\_\_ MGIB \_\_\_\_\_ Post 9/11 GIB \_\_\_\_\_

**E6 REQUIRED NAVY PME:**

Course Title	Course Location	CIN/CSE ID	Course Length	Date Completed
Required General Military Training (GMT)	Command Delivered			
DON/DOD Information Assurance Training	NKO	DOD-IAA-V8.0	1 Hour	
Trafficking in Persons Basic Awareness Training	NKO	jkddc-tip-1 US	4 Hours	
ATFP Level I Awareness for Service Members (CONUS)	NKO	CANSF-ATFP-CONUS-1.0	1 Hours	
ATFP Level I Awareness Training for Overseas Service Member (OCONUS)	NKO	CANSF-ATFP-OCONUS-1	1 Hours	
Fleet Business: The Navy Business and Fiscal Practices Course	NKO	CNL-FB-1.0	16 Hours	
Chief Petty Officer Selectee Leadership Course	Command Delivered	CPPD	30 Hours	
Leadership Core Continuum (LCC)	Command Delivered	CPPD	20 Hours	
ADAMS for Supervisors	Various Locations	S-501-0120	8 Hours	

**E6 REQUIRED COMMUNITY PME:**

Course Title	Course Location	CIN/CSE ID	Course Length	Date Completed
None				

**E6 RECOMMENDED NAVY PME:**

Course Title	Course Location	CIN/CSE ID	Course Length	Date Completed
Basic Enlisted Professional Military Education (IEPME)	NKO	Military DON/ PME	20 Hours Total	
Block 1 Basic EPME - Introduction	NKO	EPME-BASIC-B1		
Block 2 Basic EPME - Navy History and Heritage	NKO	EPME-BASIC-B2		
Block 3 Basic EPME - The Navy Professional	NKO	EPME-BASIC-B3		
Block 4 Basic EPME - Organization and Guidance	NKO	EPME-BASIC-B4		
Block 5 Basic EPME - Planning	NKO	EPME-BASIC-B5		
Block 6 Basic EPME - Regional Expertise and Cultural Awareness	NKO	EPME-BASIC-B6		
Block 7 Basic EPME - Technology for the Warfighter	NKO	EPME-BASIC-B7		
Block 8 Basic EPME - Conclusion	NKO	EPME-BASIC-B8		
Navy Reserve Fundamentals for Active Duty Course	NKO	NAVRESFOR-NRF-2.0	10 hrs	
Nutrition	NKO	NMHCI2107V2.1	1 hour	
College/Certification Testing Programs Reviews	NKO			
ORM All Navy Fundamentals	NKO	CPD-GMT07-011	1 hour	
Culture	NKO or College Course	Foreign Language and Culture	45 hrs	
Communication	College Course		45 hrs	
Eng 101	College Course		45 hrs	
Eng Reading	College Course		45 hrs	
Eng Writing	College Course		45 hrs	
Geography	College Course		45 hrs	
History	College Course		45 hrs	
Humanities	College Course		45 hrs	
Language and Literature Study Guides	College Course		45 hrs	
Math	College Course		45 hrs	
Physical Sciences	College Course		45 hrs	
Social Sciences	College Course		45 hrs	
Speech	College Course		45 hrs	

**Courses With Recommended Reserve Points:** Click this link for an Excel file of all Navy E-Learning courses offering "RECOMMENDED" reserve points. **NOTE:** Commander Navy Reserve Forces (CNRF) N7 determines the number of reserve points awarded for completion of a course taken on Navy E-Learning. This listing should only be used as a guide and is subject to change by direction of CNFR N7. **Navy E-Learning has no control over how many, if any, reserve points are eventually awarded for the completion of a course. All questions concerning the award of reserve points should be directed to CNFR N7.**

<https://file-lms-cont01.nko.navy.mil/training/Courses With Recommended Reserve Points.xls>

**RECOMMENDED RESERVE PME:**

Course Title	Course Location	CIN/CSE ID	Course Length	Date Completed
NROWS Orders Administration Course	NKO	R-500-0140/02PG	8 Hrs	
Naval Reserve Center Commanding Officer Officer In Charge	NKO	CNRF-COOIC-1.0 /DoN	8 Hrs	
Guidance for Mobilization	NKO	CNRF-GMB-1.1	4 Hrs	
Military Sealift Command 101	NKO	CNRF-MSC101 /DoN 1.1	24 Hrs	
Non-Prior Service Accession Program	NKO	CNRF-NPSAP-2 /DoN 0	23 Hrs	

**RECOMMENDED COMMUNITY PME COURSES:**

Course Title	Course Location	CIN/CSE ID	Course Length	Date Completed
None				

**NAVY PROFESSIONAL READING PROGRAM:** The purpose of the Navy Reading Program is to facilitate the professional and personal development of all sailors, seaman to admiral, active and reserve. Simply reading for pleasure is certainly encouraged, but the NPRP will facilitate reading material that may help develop skills and abilities that can be helpful in both your professional and personal lives.

<http://www.navyreading.navy.mil/>

**LEADING PETTY OFFICERS COLLECTION**

Title	Completed
The Caine Mutiny: A Novel by <i>Herman Wouk</i>	
The Sheriff: America's Defense of the New World Order by <i>Colin S. Gray</i>	
The Last Stand of the Tin Can Sailors: The Extraordinary World War II Story of the U.S. Navy's Finest Hour by <i>James D. Hornfischer</i>	
To the Shores of Tripoli: The Birth of the U.S. Navy and Marines by <i>A. B. C. Whipple</i>	
Victory at Yorktown: The Campaign That Won the Revolution by <i>Richard M. Ketchum</i>	
The Crisis of Islam: Holy War and Unholy Terror by <i>Bernard Lewis</i>	
The Sand Pebbles by <i>Richard McKenna</i>	
The Elephant and the Dragon: The Rise of India and China and What It Means for All of Us by <i>Robyn Meredith</i>	
Shackleton's Way: Leadership Lessons from the Great Antarctic Explorer by <i>Margot Morrell</i>	
Billy Budd and Other Stories (Penguin Classics) by <i>Herman Melville</i>	
The Tipping Point: How Little Things Can Make a Big Difference by <i>Malcolm Gladwell</i>	
American Government by <i>Robert A Heineman</i>	

**RECOMMENDED COMMUNITY READING**

Title	Completed
Joint Fleet Maintenance Manual (JFMM)	
Naval Ships' Technical Manual (NSTM): Chapter 300	
Space Combat Systems Operational Sequencing System (CSOSS) Manuals	
Naval Electronics Engineering Training Series (NEETS) Modules	
FC Volumes	
GM Volumes	
ET Volumes	
Theory of Combat Systems Alignment	
Combat Systems Alignment Manual	
Ship Specific Smooth Log	

## **REFERENCES**

### **Navy Enlisted Learning and Development Programs:**

- Learning and Development Roadmap for Enlisted Sailors, OPNAVINST 1500.77(series)
- Navy Retention and Career Development Program, OPNAVINST 1040.11(series)
- Career Counselor Handbook, NAVPERS 15878
- Command Sponsor and Indoctrination Program OPNAVINST 1740.3(series) (Sponsor assigned within 10 days of orders received / Indoctrination completed as soon as possible and practicable but NLT 90 days)
- Command Sponsorship of Dependents at Overseas Duty MILPERSMAN 1300-150 to 1300-210
- Guaranteed Assignment Retention Detailing Program GUARD 2000, MILPERSMAN 1306-1002/1004
- Navy Enlisted Warfare Qualification Program OPNAVINST 1414.9 (series)
- Master Training Specialists (MTS) NETCINST 1500.2(series)
- Command Master Chief Program OPNAVINST 1306.2 (series)

### **Reenlistments and Extensions:**

- Agreement of Enlisted Naval Reservist, Inductees and Fleet Reservists to remain on Active Duty MILPERSMAN 1160-060
- Career Reenlistment Objectives (use latest CREO NAVADMIN)
- Extension of Enlistment MILPERSMAN 1160-040
- Overseas Tour Extension Incentives Program (OTEIP) MILPERSMAN 1306-300
- Consecutive Overseas Tours (COT) Leave Travel Entitlement Policy MILPERSMAN 1050-410
- Perform to Serve (PTS) MILPERSMAN 1440-060
- Reenlistment Ceremony MILPERSMAN 1160-020
- Reenlistment Leave MILPERSMAN 1050-040
- Required Counseling upon Enlistment and Reenlistment MILPERSMAN 1160-031
- Selective Conversion and Reenlistment (SCORE) Program MILPERSMAN 1160-090
- Selective Reenlistment Bonus (Use Latest SRB NAVADMIN)
- Selective Training and Reenlistment (STAR) Program MILPERSMAN 1160-100
- School as a Reenlistment Incentive MILPERSMAN 1306-1006

### **Fleet Reserve and Retirement:**

- Casualties and Survivor Benefits (SBP) MILPERSMAN 1770 to 1770-250
- Disability Retirement MILPERSMAN 1850-020 to 1850-040
- Fleet Reserve and Retirement MILPERSMAN 1800-010 to 1800-070
- Household Goods and Personal Property (PCS and Retirees) MILPERSMAN 4050-010 to 020
- Permissive Temporary Duty (PTDY) MILPERSMAN 1320-220
- Transition Assistance Management Program OPNAVINST 1900.2(series) (Initiate a DD-2648-1 NLT 90 Days Prior to Separation and attend workshop 12 months prior to separation/Fleet Reserve/Retirement date)

### **Enlisted Administrative Separations:**

- Alcohol Rehabilitation Failure MILPERSMAN 1910-152
- Drug Abuse MILPERSMAN 1910-146
- Early release to further education MILPERSMAN 1910-108
- Enlisted Administrative Separation Policy MILPERSMAN 1910-010 to 1910-812
- Fraudulent Enlistment MILPERSMAN 1910-134
- High Year Tenure (HYT) AC MILPERSMAN 1160-120 / RC 1160-130
- Misconduct (various reasons) MILPERSMAN 1910-138/140/142
- Parenthood and Pregnancy SECNAVINST 1000.10(series) & MILPERSMAN 1910-124
- Personality Disorder MILPERSMAN 1910-122
- Physical Fitness Assessment Failure MILPERSMAN 1910-170
- Serious Offense MILPERSMAN 1910-142
- Unsatisfactory Performance MILPERSMAN 1910-156

### **Advancement & Service Schools:**

- Advancement BUPERSINST 1430.16(series)
- Accelerated Advancement MILPERSMAN 1430-010
- Enlisted to Officer Commissioning Program Application & Administration Manual OPNAVINST 1420.1(series)
- Service Schools 1306-600/602/604/608
- Class “A” School & Rating Entry Requirements MILPERSMAN 1306-618
- Retesting with the Armed Forces Classification Test version of the Armed Services Vocational Aptitude Battery (ASVAB) MILPERSMAN 1236-010
- Professional Apprenticeship Tracks Program (PACT) NAVADMIN 318/07

### **Education:**

- Joint Chiefs Professional Military Education (PME) Manual 1805.01
- Navy Voluntary Education Program (Navy Campus) OPNAVINST 1560.9(series)
- Tuition Assistance Management Controls NAVADMIN 161/07 / NETC LTR Execution Guidelines 1560 Ser N00178, Aug 07
- Navy Credentialing Program OPNAVINST 1540.56
- Uniformed Services Military Apprenticeship Programs OPNAVINST 1560.10(series)

### **Other Quick References:**

- Awards Manual (SECNAV 1650.1(Series))
- Change in Rank, Rate or Rating MILPERSMAN 1440-010 to 1440-050
- Department of the Navy Correspondence Manual (SECNAV M-5216.5 (Series))
- Drug and Alcohol Prevention Control Program OPNAVINST 5350.4(series)
- Exchange of Duty (SWAPS) MILPERSMAN 1306-700
- First Term Personnel Assignment Policy MILPERSMAN 1306-126
- Individual Augmentation (IA) Policy and Procedures OPNAVINST 1001.21(series)
- Military Couple and Single Parent Assignment Policy MILPERSMAN 1300-1000
- Military Pay MILPERSMAN 7220-010 to 7220-390
- Naval Performance Evaluation System BUPERSINST 1610.10 (Series)
- Overseas tour Extensions MILPERSMAN 1300-310
- Physical Readiness Program OPNAVINST 6110.1(series) / MILPERSMAN 6100-6199
- Reassignment for Humanitarian reasons (HUMS) MILPERSMAN 1300-500
- Standard Policy and Procedures for the Active Duty for Special Work (ADSW) & 1 year Recall Program OPNAVINST 1001.20(series)
- Operational Risk Management OPNAVINST 3500..39(Series)



**FIRE CONTROLMAN (FC) CHIEF PETTY OFFICER  
(Master)**

NAME \_\_\_\_\_

**SKILL TRAINING**

(Schools, courses and assignments directly related to occupation)

**REQUIRED SKILL TRAINING**

Course Title	Course Location	CIN/CSE ID	Course Length	Date Completed
None				

**RECOMMENDED SKILL TRAINING**

Course Title	Course Location	CIN/CSE ID	Course Length	Date Completed
Combat Systems Senior Enlisted	Dam Neck, VA	J-500-2104		
Aegis Combat System Maintenance Mgr	Dahlgren, VA	S-121-0548		

**NAVY ENLISTED CLASSIFICATION CODE (NEC) OPPORTUNITIES**

Course Title	Course Location	CIN/CSE ID	Course Length	Date Completed
<u>Note:</u> All Previously Listed NECs Plus...				
Combat Systems Senior Enlisted	Dam Neck, Va	J-500-2104		
Over The Horizon-Targeting (OTH-T) Sup	Multiple	Multiple		
AEGIS Combat System Maint Manager	Dahlgren, Va	S-121-0548		

**JOB DESCRIPTION**

Oversee the day-to-day functions of the division focusing on system and equipment maintenance while ensuring each Sailor under your charge is healthy, financially well, and continues to train and evolve into the next generation of Chiefs and Officers.

**RECOMMENDED BILLET ASSIGNMENTS**

Leading Chief Petty Officer afloat or ashore

Other Opportunities: Joint Assignments  
Recruiter  
RDC  
CAAC  
Staff Duty  
Joint Assignments

GWOT Support Assignments  
Instructor/Facilitator  
DAPA  
Career Counselor  
3-M Coordinator  
GWOT Support Assignments

---

**PERSONAL AND PROFESSIONAL DEVELOPMENT (Completed at reporting 30 day Career Development Board)**

Command Address: \_\_\_\_\_ QD Phone Number: \_\_\_\_\_  
\_\_\_\_\_

Division Officer: \_\_\_\_\_ Phone Number: \_\_\_\_\_

Command Master Chief: \_\_\_\_\_ Phone Number: \_\_\_\_\_

Leading Chief Petty Officer: \_\_\_\_\_ Phone Number: \_\_\_\_\_

Sponsor/Mentor: \_\_\_\_\_ Phone Number: \_\_\_\_\_

Depart/Division Career Counselor: \_\_\_\_\_ Phone Number: \_\_\_\_\_

ADSD: \_\_\_\_\_ REPORT DATE: \_\_\_\_\_ EAOS: \_\_\_\_\_ PRD: \_\_\_\_\_ SEA / SHORE: \_\_\_\_/\_\_\_\_  
PAYGRADE E7 (3 Years time in service required to be eligible for advancement to E-8)

Date Advanced: \_\_\_\_\_ Eligible Advancement Date: \_\_\_\_\_ Number of times up: \_\_\_\_\_ HYT Date: \_\_\_\_\_

Security Clearance Level \_\_\_\_\_ Date Last updated: \_\_\_\_\_ Command INDOC complete \_\_\_\_\_

---

**CAREER DEVELOPMENT BOARDS:** Use with OPNAVINST 1040.11(series) & Career Counselor Handbook  
Reason for Convening/Discussion Items: (Upon completion update (CIMS) Career Information Management System)

Reporting (within 30 days for active duty or three drill weekends for SELRES) (Date Conducted): \_\_\_\_\_

6 month progress check (Date Conducted): \_\_\_\_\_ 12 Months \_\_\_\_\_ 24 Months \_\_\_\_\_

36 Months \_\_\_\_\_ 48 Months \_\_\_\_\_ 60 Months \_\_\_\_\_ Special Program/Member Request \_\_\_\_\_

Advancement Center: Visit NKO Navy Advancement page located under the Career Management Tab

Correspondence Courses \_\_\_\_\_ Catalog of Courses \_\_\_\_\_

Selection Board Ineligible (Conducted): \_\_\_\_\_ Non Select 3 times (Conducted): \_\_\_\_\_

Commissioning Programs Applications (Conducted): \_\_\_\_\_ (prior to submission, command endorsement)  
Enlisted to Officer Commissioning Program Application & Administration Manual OPNAVINST 1420.1(series):

Medical Enlisted Commissioning Program (MECP) \_\_\_\_\_ Officer Candidate School \_\_\_\_\_

Limited Duty Officer \_\_\_\_\_ Chief Warrant Officer \_\_\_\_\_

Physical Fitness Test Failure (Conducted): \_\_\_\_\_ Career Status Bonus (election message received) (Conducted): \_\_\_\_\_

HYT 24 months (Date): \_\_\_\_\_ HYT 12 months (Date): \_\_\_\_\_ HYT Waiver Date: \_\_\_\_\_ Approve/Disapprove

Transfer \_\_\_\_\_ Early Separation: \_\_\_\_\_ Fleet Reserve Retirement Options: \_\_\_\_\_

**Career Management Calendar:** <https://wwwa.nko.navy.mil/portal/careermanagement/home/careermanagementcalendar>

## SELECTION BOARD CHECK LIST FOR CPO PROMOTION TO SCPO

Step 1 - Review your Official Record to see what documentation, qualifications, etc. may be missing or requiring an update. This should be accomplished every six months after promotion to Second Class. However, it is imperative that this is accomplished six months prior to a selection board. Check the following three major sections to verify your Official Record:

a) **BUPERS Online** BUPERS Online (<https://www.bol.navy.mil>) is your main tool for board preparation and helps you to be proactive in making the most of your promotion opportunity. You should review your;

1) **Official Military Personnel File (OMPF)**: All active duty and reserve personnel having a BOL account, a CAC (with appropriate certificates) and a CAC-enabled computer can now view their OMPF online by selecting the OMPF option on the BOL main menu page. This is the preferred method of obtaining OMPF information to eliminate the unnecessary time-lags caused by waiting days or weeks to receive a requested CD ROM.

2) **If Deployed**: Click on “**Request Record on CD**” to order your Official Military Personnel File (OMPF). This must be accomplished four to six months before a board convenes, which will allow time for delivery and updating of your record if required.

3) Check your **Performance Summary Record (PSR)** and **Enlisted Summary Record (ESR)** on <https://www.bol.navy.mil> click on “ODC, OSR, PSR, ESR” link

b) **Electronic Service Record (ESR)** Self-Service ESR: This can be viewed at (<https://nsips.nmci.navy.mil>) or on the Navy Standard Integrated Personnel System (NSIPS) ESR server onboard ship.

c) **Electronic Training Jacket (ETJ)** Log-on to Navy Knowledge Online (NKO) and review your entire ETJ making sure that each section is correct. If not click on "Data Problems" on bottom of each page which will guide you on how to make corrections or updates.

Step 2 – Submit appropriate missing documents to the selection board.

a) Selection board packages provide candidates the opportunity to submit any documents missing from the sections of their records which are viewed by the selection boards. MILPERSMAN 1070-080 specifies which documents from the enlisted permanent personnel record are provided to the selection board for review. Any documents the member has verified as missing from those sections of their permanent personnel record may be submitted as a selection board package.

b) For submissions directly to the board and for those circumstances where the eligible candidate cannot get their official record updated and confirmed prior to the selection board convening date:

1. All correspondence should be on plain white paper for readability; paper clipped (no staples, binders, folders, or tabs) and submitted under cover letter to the president of the board. Candidates must verify the correct subject line and board number (see below) is on their cover letters to ensure their packages appear before the proper board.

2. Correspondence must include your Full name and SSN, must be affixed and legible on all documents submitted, and must be postmarked not later than that date listed in the associated NAVADMIN and addressed to:

NAVY PERSONNEL COMMAND CUSTOMER SERVICE CENTER  
PRESIDENT  
FY-XX ACTIVE/RESERVE E8 ENLISTED SELECTION BOARD #XXX  
5640 TICONDEROGA LOOP BLDG 768 RM E302  
MILLINGTON TN 38055  
(Active = 235 / SELRES =205 / FTS = 206)

(Use of special handling mail (certified or registered) is not advised due to significant delays in handling.)

c) Ensure official record reflects any individual augmentation mission. (awards, evals, NEC, etc).

d) Check (<http://www.npc.navy.mil/Boards/ActiveDutyEnlisted/GeneralInformation.htm>) to verify that the selection board has received your correspondence (if sent).



**NOTE: It is highly recommended that if corrections or updates are made, review your OMPF, or if deployed, re-order your CD-Rom to confirm changes. (NOTE: Please allow 60 days for changes to take effect)**

Step 3 - After reviewing your service record - such as evaluations, awards, qualifications, etc. - start reviewing what you can do to improve yourself, such as:

- a) Request a **Career Development Board (CDB)** through your chain of command.
- b) Take a good, hard look at the type of **Collateral Duties** you are assigned. Review your command collateral duties instruction and talk with your COC and / or appear before the CDB. Take the tough command duties that provide the most involvement in the command as a whole and that have direct sailor support.
- c) Review your current level of education to see how far along you are in earning a **college degree** and pursue **non-resident Navy courses** to expand your level of knowledge. Complete the **Navy e-Learning courses** on **NKO** that are recommended in this document.
- d) Check out **OTHER Learning Opportunities** to add to your service record, such as the CANTRAC Volume I (Training Facilities) and CANTRAC Volume II (Course Descriptions). NKO at Learning > Learning Opportunities

Step 4 - Review qualifications that your rating values or requires for advancement and create a plan to earn these important pieces in the professional growth and advancement puzzle. Read the applicable NAVADMIN for additional dates and information, and review previous selection board precepts.

**QUALIFICATIONS AND CERTIFICATIONS**

<b>Sea/Shore General Qualifications Watch Standing Qualifications</b>	<b>Report Date</b>	<b>Completion Date (If qualification is not required place N/A in this Block)</b>
Ship Board Fire Fighting		
Aviation Fire Fighting		
General Damage Control		
Advanced Damage Control		
3M 303		
3M 304		
Section Leader		
Officer of the Deck (OOD) (In Port)		
Command Duty Officer (CDO)		
Junior Officer of the Deck (JOOD) (At Sea)		
Officer of the Deck (OOD) (At Sea)		
Chief of the Guard (AT/FP)		
Personal Qualifications Standard		

Mandatory warfare qualification for enlisted Sailors assigned to designated warfare qualifying commands:

<b>Warfare qualification programs</b>	<b>Report Date</b>	<b>Completion Date (If qualification is not required place N/A in this Block)</b>
Surface Warfare Specialist		
Aviation Warfare Specialist		

<b>Rate Specific/Department Qualifications (Add)</b>	<b>Report Date</b>	<b>Completion Date (If qualification is not required place N/A in this Block)</b>
Duty Combat Systems Officer		
Combat Systems Training Team (Supervisor)		
Anti-Terrorism/Force Protection Team (Supervisor)		

## CERTIFICATIONS

The following post military occupations are similar to the Fire Controlman Rating. For more information about these occupations, visit NAVY COOL at <https://www.cool.navy.mil>.

Occupation (Civilian Employer)
Computer Hardware Engineers
Computer Systems Analysts
Computer, Automated Teller, and Office Machine Repairers
Data Entry Keyers
Electrical and Electronics Repairers, Commercial and Industrial Equipment
Explosives Workers, Ordnance Handling Experts, and Blasters
First-Line Supervisors of Mechanics, Installers, and Repairers
Helpers--Installation, Maintenance, and Repair Workers
Inspectors, Testers, Sorters, Samplers, and Weighers
Network Systems and Data Communications Analysts
Radio Operators
Software Developers, Systems Software
Telecommunications Equipment Installers and Repairers, Except Line Installers
Training and Development Managers
<b>Military Sealift Command</b>
Chief Radio Electronics Technician

Occupation (Federal Employer)
0804 - Fire Protection Engineering Series
0855 - Electronics Engineering Series
0856 - Electronics Technical Series
1550 - Computer Science Series
2608 - Electronic Digital Computer Mechanic
2610 - Electronic Integrated Systems Mechanic
9944 - Electronics Technician

**Navy COOL:** The following certifications and licenses are applicable to the FC rating. They may require additional education, training or experience.

Target paygrade	Certifying Agency Web Site	Credential Title	Years Experience Required	Comp. date
E4	<a href="#">Computing Technology Industry Association (CompTIA)</a>	CompTIA Certified Technical Trainer (CTT+)	0	
E5	<a href="#">Electronics Technicians Association, International (ETA-I)</a>	Fiber Optics Technician (FOT)	0	
E5	<a href="#">Electronics Technicians Association, International (ETA-I)</a>	Certified Computer Service Technician (CST)	0.5	
E5	<a href="#">Electronics Technicians Association, International (ETA-I)</a>	Fiber Optics Installer (FOI)	0.5	
E6	<a href="#">Electronics Technicians Association, International (ETA-I)</a>	Certified Network Computer Technician (CNCT)	1	
E6	<a href="#">Electronics Technicians Association, International (ETA-I)</a>	Certified Network Systems Technician (CNST)	1	
E6	<a href="#">Hewlett Packard (HP)</a>	Certified Systems Administrator (CSA)	1	
E2	<a href="#">American Board for Certification in Homeland Security (ABCHS)</a>	Certified in Disaster Preparedness (CDP-I)	1 - 5	
E6	<a href="#">Electronics Technicians Association, International (ETA-I)</a>	Associate Electronics Technician (CETa)	<2	
E4	<a href="#">American Board for Certification in Homeland Security (ABCHS)</a>	Certified in Homeland Security Level I (CHS-I)	2	

E4	American Board for Certification in Homeland Security (ABCCHS)	Certified in Homeland Security Level II (CHS-II)	Level I Prereq	
E4	American Board for Certification in Homeland Security (ABCCHS)	Certified in Homeland Security Level III (CHS-III)	Level II Prereq	
E5	American Board for Certification in Homeland Security (ABCCHS)	Certified in Homeland Security Level IV (CHS-IV)	Level III Prereq	
E5	American Board for Certification in Homeland Security (ABCCHS)	Certified in Homeland Security Level V (CHS-V)	Level IV Prereq	
E6	Electronics Technicians Association, International (ETA-I)	RADAR Electronics Technician (RAD)	2	
E6	Electronics Technicians Association, International (ETA-I)	Telecommunications Electronics Technician - Journeyman (TCM)	2	

Visit Navy COOL <https://www.cool.navy.mil> for additional Credentials that you may qualify to earn; however funding may be limited to your GI bill or DANTES.

**USMAP (UNITED SERVICES MILITARY APPRENTICESHIP PROGRAM):**

	Comp. date
Electronics Technician (Professional & Kindred) (0169C)	
Electronics Technician (Professional & Kindred)	
Electronics Mechanic	
Electronics Mechanic (Any Industry)	
Optical-Instrument Assembler (Optical Goods)	
Ordnance Artificer (Government Service)	
Electronics Tester	
Computer Programmer (Professional & Kindred)	
Computer-Peripheral-Equipment Operator (Clerical)	

Visit USMAP <https://usmap.cnet.navy.mil/usmapss/static/usmap.jsp> for additional information

---

**STAY NAVY**

REENLIST / EXTEND: Request Chit/Form: \_\_\_\_\_

Guaranteed Assignment in Detailing (GUARD 2000): \_\_\_ Career Management System/Interactive Detailing (CMS/ID): \_\_\_\_\_

Medical/Dental Screening: \_\_\_\_\_ Command Recommendation (evaluation): \_\_\_\_\_ Bonus: \_\_\_\_\_ Ceremony: \_\_\_\_\_

**TRANSFER:**

<u>15 Months</u>	<u>12 Months</u>	<u>9 Months</u>	<u>6 Months</u>	<u>Orders Received</u>
Exception Family Member _____	EFM _____	CMS/ID _____	Accept Orders _____	Screening _____
CMS/ID _____	CMS/ID _____		Reverse Sponsor _____	Obligate _____
Continuous Overseas Tours (COT) _____			Relocation (FFSC) _____	Bonus _____
Overseas Tour Extension Incentive Program (OTEIP) _____			Medical/Dental _____	

For additional assistance in transfer and relocation, go to: <http://www.npc.navy.mil/CareerInfo/PerformtoServe>

---

**SEPARATING/RETIRE**

<u>18 -12 months</u>	<u>6 months</u>	<u>90 days</u>	<u>30 days</u>
Attend TAP/RTAP _____	MED/DEN _____	Copy of Records _____	Copy of Records _____
Complete DD2648PSD _____	Relocation _____	Official Record CD _____	PSD _____
Transition Planning _____	Relocation Services (FFSC) _____	Arrange Ceremony _____	MED/DEN _____
	Reserve Affiliation _____	Request Leave / PTDY _____	
	VA/DVA _____		

**PROFESSIONAL MILITARY EDUCATION**

(Resident and non-resident coursework designed to enhance a Sailor’s general military professional knowledge and abilities)

**EDUCATION: (Prior to considering any pursuit of off duty education or program enrollment VISIT YOUR NAVY COLLEGE OFFICE or call the Virtual Education Center (VEC!!!))**

Education Plan Completed (Navy College Office/VEC \_\_\_\_\_) Current Education Level \_\_\_\_\_

Degree Goal \_\_\_\_\_

\*\*Various distance learning degree options are available using, Sailor and Marine Online Academic Advisor (SMOLAA)\*\*

Goal: Date: AA/AS \_\_\_\_\_ BA/BS \_\_\_\_\_ Master \_\_\_\_\_ Doctorate \_\_\_\_\_  
 (Credits to earn a degree - AA/AS: 60 SH/90 QH, BA/BS: 120 SH/180, QH, Master /Doctorate: Variable based on program)

Number of current credits \_\_\_\_\_ American Council on Education (ACE) recommended credits \_\_\_\_\_

SOCNAV Agreement \_\_\_\_\_ SMART Transcripts \_\_\_\_\_ HS Transcripts \_\_\_\_\_ College Transcripts \_\_\_\_\_

Date Degree Obtained: AA/AS \_\_\_\_\_ BA/BS \_\_\_\_\_ Master \_\_\_\_\_ Doctorate \_\_\_\_\_

For entry into SMART, Send official transcripts to:  
 Center for Personal and Professional Development

Attn: Virtual Education Center  
 1905 Regulus Avenue, Ste. 234  
 Virginia Beach VA 23461-2009  
 Phone: 1-877-838-1659  
 Comm: 757-492-4684  
 FAX: 757-492-5095  
 DSN: 492-4684  
 Email: [VEC@navy.mil](mailto:VEC@navy.mil)

**VOLUNTARY EDUCATION (Study guides and exam preparations and practice test located on NKO)**

NCPACE \_\_\_\_\_ CLEP \_\_\_\_\_ DSST \_\_\_\_\_ TA \_\_\_\_\_ MGIB \_\_\_\_\_ Post 9/11 GIB \_\_\_\_\_

**CPO REQUIRED NAVY PME:**

Course Title	Course Location	CIN/CSE ID	Course Length	Date Completed
Required General Military Training (GMT)	Command Delivered			
DON/DOD Information Assurance Training	NKO	DOD-IAA-V5.0	1 Hour	
Trafficking in Persons Basic Awareness Training	NKO	jkddc-tip-1 US	4 Hours	
ATFP Level I Awareness for Service Members (CONUS)	NKO	CANSF-ATFP-CONUS-1.0	1 Hour	
ATFP Level I Awareness Training for Overseas Service Member (OCONUS)	NKO	CANSF-ATFP-OCONUS-1	1 Hour	
Fleet Business: The Navy Business and Fiscal Practices Course	NKO	CNL-FB-1.0	16 Hours	
Chief Mess Training (CMT/LCC)	Command Delivered		Each Month	
ADAMS for Supervisors	Various Locations	S-501-0120	8 Hours	

**CPO REQUIRED COMMUNITY PME:**

Course Title	Course Location	CIN/CSE ID	Course Length	Date Completed
None				

**CPO RECOMMENDED NAVY PME:**

Course Title	Course Location	CIN/CSE ID	Course Length	Date Completed
Primary Enlisted Professional Military Education (PEPME)	NKO	Military DON/ PME	20 Hours	
Primary Professional Military Education (Enlisted) Block 1 - Introduction	NKO	PPME-SENL-B1.v2		
Primary Professional Military Education (Enlisted) Block 2 - The Culture of the Navy	NKO	PPME-SENL-B2.v2		
Primary Professional Military Education (Enlisted) Block 3 - Governance of the Navy	NKO	PPME-SENL-B3.v2		
Primary Professional Military Education (Enlisted) Block 4 - How the Navy Thinks About War	NKO	PPME-SENL-B4.v2		
Primary Professional Military Education (Enlisted) Block 5 - How the Navy Plans its Operations	NKO	PPME-SENL-B5.v2		
Primary Professional Military Education (Enlisted) Block 6 - Technology in the Maritime Domain	NKO	PPME-SENL-B6.v2		
Primary Professional Military Education (Enlisted) Block 7 - PME Conclusion	NKO	PPME-SENL-B7.v2		
Joint Professional Military Education (JPME)	War College	Military DON/ PME	40 Hours	
Senior Enlisted Academy (resident) or (blended)	Newport RI		6 or 2 weeks	
Senior Enlisted Leadership Development Guide	NKO			
Culture	NKO or College Course	Foreign Language and Culture	45 hrs	

**Courses With Recommended Reserve Points:**

Click this link for an Excel file of all Navy E-Learning courses offering "RECOMMENDED" reserve points. **NOTE:** Commander Navy Reserve Forces (CNRF) N7 determines the number of reserve points awarded for completion of a course taken on Navy E-Learning. This listing should only be used as a guide and is subject to change by direction of CNRF N7. **Navy E-Learning has no control over how many, if any, reserve points are eventually awarded for the completion of a course. All questions concerning the award of reserve points should be directed to CNRF N7.**  
<https://file-lms-cont01.nko.navy.mil/training/Courses With Recommended Reserve Points.xls>

**RECOMMENDED RESERVE PME:**

Course Title	Course Location	CIN/CSE ID	Course Length	Date Completed
NROWS Orders Administration Course	NKO	R-500-0140/02PG /DoN	8 hours	
Naval Reserve Center Commanding Officer Officer In Charge	NKO	CNRF-COOIC-1.0 /DoN	8 hours	
Guidance for Mobilization	NKO	CNRF-GMB-1.1 /DoN	4 hours	
Military Sealift Command 101	NKO	CNRF-MS101 /DoN 1.1	24 hours	
Non-Prior Service Accession Program	NKO	CNRF-NPSAP-2 /DoN 0	23 hours	

**RECOMMENDED COMMUNITY PME:**

Course Title	Course Location	CIN/CSE ID	Course Length	Date Completed
None				

## NAVY PROFESSIONAL READING PROGRAM:

The purpose of the Navy Reading Program is to facilitate the professional and personal development of all sailors, seaman to admiral, active and reserve. Simply reading for pleasure is certainly encouraged, but the NPRP will facilitate reading material that may help develop skills and abilities that can be helpful in both your professional and personal lives.

<http://www.navyreading.navy.mil/>

### DIVISION LEADERS COLLECTION

Title	Completed
Two Souls Indivisible: The Friendship That Saved Two POWs in Vietnam by <i>James S. Hirsch</i>	
The Good Shepherd by <i>C. S. Forester</i>	
Six Frigates: The Epic History of the Founding of the U.S. Navy by <i>Ian W. Toll</i>	
The Golden Thirteen: Recollections of the First Black Naval Officers by <i>Paul Stillwell</i>	
Shield and Sword: The United States Navy and the Persian Gulf War by <i>Edward J. Marolda</i>	
The Savage Wars of Peace: Small Wars and the Rise of American Power by <i>Max Boot</i>	
On the Origins of War: And the Preservation of Peace by <i>Donald Kagan</i>	
Forgotten Continent: The Battle for Latin America's Soul by <i>Michael Reid</i>	
The World Is Flat: A Brief History of the Twenty-first Century by <i>Thomas L. Friedman</i>	
Longitude: The True Story of a Lone Genius Who Solved the Greatest Scientific Problem of His Time by <i>Dava Sobel</i>	
Freakonomics: A Rogue Economist Explores the Hidden Side of Everything by <i>Dava Sobel</i>	
The Innovator's Dilemma: The Revolutionary Book that Will Change the Way You Do Business by <i>Clayton M. Christensen</i>	

### RECOMMENDED COMMUNITY READING

Title	Completed
Joint Fleet Maintenance Manual (JFMM)	
Naval Ships' Technical Manual (NSTM): Chapter 300	
Space Combat Systems Operational Sequencing System (CSOSS) Manuals	
Naval Electronics Engineering Training Series (NEETS) Modules	
FC Volumes	
GM Volumes	
ET Volumes	
STG Volumes	
Theory of Combat Systems Alignment	
Combat Systems Alignment Manual	
Ship Specific Smooth Log	



## **REFERENCES**

### **Navy Enlisted Learning and Development Programs:**

- Learning and Development Roadmap for Enlisted Sailors, OPNAVINST 1500.77(series)
- Navy Retention and Career Development Program, OPNAVINST 1040.11(series)
- Career Counselor Handbook, NAVPERS 15878
- Command Sponsor and Indoctrination Program OPNAVINST 1740.3(series) (Sponsor assigned within 10 days of orders received / Indoctrination completed as soon as possible and practicable but NLT 90 days)
- Command Sponsorship of Dependents at Overseas Duty MILPERSMAN 1300-150 to 1300-210
- Guaranteed Assignment Retention Detailing Program GUARD 2000, MILPERSMAN 1306-1002/1004
- Navy Enlisted Warfare Qualification Program OPNAVINST 1414.9 (series)
- Master Training Specialists (MTS) NETCINST 1500.2(series)
- Command Master Chief Program OPNAVINST 1306.2 (series)

### **Reenlistments and Extensions:**

- Agreement of Enlisted Naval Reservist, Inductees and Fleet Reservists to remain on Active Duty MILPERSMAN 1160-060
- Career Reenlistment Objectives (use latest CREO NAVADMIN)
- Extension of Enlistment MILPERSMAN 1160-040
- Overseas Tour Extension Incentives Program (OTEIP) MILPERSMAN 1306-300
- Consecutive Overseas Tours (COT) Leave Travel Entitlement Policy MILPERSMAN 1050-410
- Perform to Serve (PTS) MILPERSMAN 1440-060
- Reenlistment Ceremony MILPERSMAN 1160-020
- Reenlistment Leave MILPERSMAN 1050-040
- Required Counseling upon Enlistment and Reenlistment MILPERSMAN 1160-031
- Selective Conversion and Reenlistment (SCORE) Program MILPERSMAN 1160-090
- Selective Reenlistment Bonus (Use Latest SRB NAVADMIN)
- Selective Training and Reenlistment (STAR) Program MILPERSMAN 1160-100
- School as a Reenlistment Incentive MILPERSMAN 1306-1006

### **Fleet Reserve and Retirements:**

- Casualties and Survivor Benefits (SBP) MILPERSMAN 1770 to 1770-250
- Disability Retirement MILPERSMAN 1850-020 to 1850-040
- Fleet Reserve and Retirement MILPERSMAN 1800-010 to 1800-070
- Household Goods and Personal Property (PCS and Retirees) MILPERSMAN 4050-010 to 020
- Permissive Temporary Duty (PTDY) MILPERSMAN 1320-220
- Transition Assistance Management Program OPNAVINST 1900.2(series) (Initiate a DD-2648-1 NLT 90 Days Prior to Separation and attend workshop 12 months prior to separation/Fleet Reserve/Retirement date)

### **Enlisted Administrative Separations:**

- Alcohol Rehabilitation Failure MILPERSMAN 1910-152
- Drug Abuse MILPERSMAN 1910-146
- Early release to further education MILPERSMAN 1910-108
- Enlisted Administrative Separation Policy MILPERSMAN 1910-010 to 1910-812
- Fraudulent Enlistment MILPERSMAN 1910-134
- High Year Tenure (HYT) AC MILPERSMAN 1160-120 / RC 1160-130
- Misconduct (various reasons) MILPERSMAN 1910-138/140/142
- Parenthood and Pregnancy SECNAVINST 1000.10(series) & MILPERSMAN 1910-124
- Personality Disorder MILPERSMAN 1910-122
- Physical Fitness Assessment Failure MILPERSMAN 1910-170
- Serious Offense MILPERSMAN 1910-142
- Unsatisfactory Performance MILPERSMAN 1910-156

### **Advancement & Service Schools:**

- Advancement BUPERSINST 1430.16(series)
- Accelerated Advancement MILPERSMAN 1430-010
- Enlisted to Officer Commissioning Program Application & Administration Manual OPNAVINST 1420.1(series)
- Service Schools 1306-600/602/604/608
- Class “A” School & Rating Entry Requirements MILPERSMAN 1306-618
- Retesting with the Armed Forces Classification Test version of the Armed Services Vocational Aptitude Battery (ASVAB) MILPERSMAN 1236-010
- Professional Apprenticeship Tracks Program (PACT) NAVADMIN 318/07

### **Education:**

- Joint Chiefs Professional Military Education (PME) Manual 1805.01
- Navy Voluntary Education Program (Navy Campus) OPNAVINST 1560.9(series)
- Tuition Assistance Management Controls NAVADMIN 161/07 / NETC LTR Execution Guidelines 1560 Ser N00178, Aug 07
- Navy Credentialing Program OPNAVINST 1540.56
- Uniformed Services Military Apprenticeship Programs OPNAVINST 1560.10(series)

### **Other Quick References:**

- Awards Manual (SECNAV 1650.1(Series))
- Change in Rank, Rate or Rating MILPERSMAN 1440-010 to 1440-050
- Department of the Navy Correspondence Manual (SECNAV M-5216.5 (Series))
- Drug and Alcohol Prevention Control Program OPNAVINST 5350.4(series)
- Exchange of Duty (SWAPS) MILPERSMAN 1306-700
- First Term Personnel Assignment Policy MILPERSMAN 1306-126
- Individual Augmentation (IA) Policy and Procedures OPNAVINST 1001.21(series)
- Military Couple and Single Parent Assignment Policy MILPERSMAN 1300-1000
- Military Pay MILPERSMAN 7220-010 to 7220-390
- Naval Performance Evaluation System BUPERSINST 1610.10 (Series)
- Overseas tour Extensions MILPERSMAN 1300-310
- Physical Readiness Program OPNAVINST 6110.1(series) / MILPERSMAN 6100-6199
- Reassignment for Humanitarian reasons (HUMS) MILPERSMAN 1300-500
- Standard Policy and Procedures for the Active Duty for Special Work (ADSW) & 1 year Recall Program OPNAVINST 1001.20(series)
- Operational Risk Management OPNAVINST 3500..39(Series)



**FIRE CONTROLMAN (FC) SENIOR CHIEF  
(Master)**

NAME \_\_\_\_\_

**SKILL TRAINING**

(Schools, courses and assignments directly related to occupation)

**REQUIRED SKILL TRAINING**

Course Title	Course Location	CIN/CSE ID	Course Length	Date Completed
None				

**RECOMMENDED SKILL TRAINING**

Course Title	Course Location	CIN/CSE ID	Course Length	Date Completed
None				

**NAVY ENLISTED CLASSIFICATION CODE (NEC) OPPORTUNITIES**

Course Title	Course Location	CIN/CSE ID	Course Length	Date Completed
Combat Systems Senior Enlisted	Dam Neck, Va	J-500-2104		
Over The Horizon-Targeting (OTH-T) Sup	Multiple	Multiple		
Combat System Maint Manager	Dahlgren, Va Dam Neck, Va	S-121-0548		

**JOB DESCRIPTION**

Over see the day-to-day functions of the department focusing on system and equipment maintenance while ensuring each Sailor under your charge is healthy, financially well, and continues to train and evolve into the next generation of Chiefs and Officers.

**RECOMMENDED BILLET ASSIGNMENTS**

Cruiser / Destroyer Department Leading Chief Petty Officer

- Other opportunities:
- Command Senior Chief
  - RDC
  - Instructor/Facilitator
  - Recruiter
  - 3-M Coordinator
  - CMEO/EOA
  - DAPA
  - CACO
  - Detailer
  - Joint Assignments
  - GWOT Support Assignments

---

**PERSONAL AND PROFESSIONAL DEVELOPMENT (Completed at reporting 30 day Career Development Board)**

Command Address: \_\_\_\_\_ QD Phone Number: \_\_\_\_\_  
\_\_\_\_\_

Division Officer: \_\_\_\_\_ Phone Number: \_\_\_\_\_

Command Master Chief: \_\_\_\_\_ Phone Number: \_\_\_\_\_

Leading Chief Petty Officer: \_\_\_\_\_ Phone Number: \_\_\_\_\_

Sponsor/Mentor: \_\_\_\_\_ Phone Number: \_\_\_\_\_

Depart/Division Career Counselor: \_\_\_\_\_ Phone Number: \_\_\_\_\_

ADSD: \_\_\_\_\_ REPORT DATE: \_\_\_\_\_ EAOS: \_\_\_\_\_ PRD: \_\_\_\_\_ SEA / SHORE: \_\_\_\_/\_\_\_\_  
PAYGRADE E8 (3 Years time in service required to be eligible for advancement to E-9)

Date Advanced: \_\_\_\_\_ Eligible Advancement Date: \_\_\_\_\_ Number of times up: \_\_\_\_\_ HYT Date: \_\_\_\_\_

Security Clearance Level \_\_\_\_\_ Date Last updated: \_\_\_\_\_ Command INDOC complete \_\_\_\_\_

---

**CAREER DEVELOPMENT BOARDS:** Use with OPNAVINST 1040.11(series) & Career Counselor Handbook  
Reason for Convening/Discussion Items: (Upon completion update (CIMS) Career Information Management System)

Reporting (within 30 days for active duty or three drill weekends for SELRES) (Date Conducted): \_\_\_\_\_

6 month progress check (Date Conducted): \_\_\_\_\_ 12 Months \_\_\_\_\_ 24 Months \_\_\_\_\_

36 Months \_\_\_\_\_ 48 Months \_\_\_\_\_ 60 Months \_\_\_\_\_ Special Program/Member Request \_\_\_\_\_

Advancement Center: Visit NKO Navy Advancement page located under the Career Management Tab

Correspondence Courses \_\_\_\_\_ Catalog of Courses \_\_\_\_\_

Selection Board Ineligible (Conducted): \_\_\_\_\_ Non Select 3 times (Conducted): \_\_\_\_\_

Commissioning Programs Applications (Conducted): \_\_\_\_\_ (prior to submission, command endorsement)  
Enlisted to Officer Commissioning Program Application & Administration Manual OPNAVINST 1420.1(series):

Medical Enlisted Commissioning Program (MECP) \_\_\_\_\_ Limited Duty Officer \_\_\_\_\_ Chief Warrant Officer \_\_\_\_\_

Physical Fitness Test Failure (Conducted): \_\_\_\_\_ Career Status Bonus (election message received) (Conducted): \_\_\_\_\_

HYT 24 months (Date): \_\_\_\_\_ HYT 12 months (Date): \_\_\_\_\_ HYT Waiver Date: \_\_\_\_\_ Approve/Disapprove

Transfer \_\_\_\_\_ Early Separation: \_\_\_\_\_ Fleet Reserve Retirement Options: \_\_\_\_\_

**Career Management Calendar:** <https://wwwa.nko.navy.mil/portal/careermanagement/home/careermanagementcalendar>

## SELECTION BOARD CHECK LIST FOR SCPO PROMOTION TO MCPO

Step 1 - Review your Official Record to see what documentation, qualifications, etc. may be missing or requiring an update. This should be accomplished every six months after promotion to Second Class. However, it is imperative that this is accomplished six months prior to a selection board. Check the following three major sections to verify your Official Record:

- a) **BUPERS Online** BUPERS Online (<https://www.bol.navy.mil>) is your main tool for board preparation and helps you to be proactive in making the most of your promotion opportunity. You should review your:
  - 1) **Official Military Personnel File (OMPF):** All active duty and reserve personnel having a BOL account, a CAC (with appropriate certificates) and a CAC-enabled computer can now view their OMPF online by selecting the OMPF option on the BOL main menu page. This is the preferred method of obtaining OMPF information to eliminate the unnecessary time-lags caused by waiting days or weeks to receive a requested CD ROM.
  - 2) **If Deployed:** Click on “**Request Record on CD**” to order your Official Military Personnel File (OMPF). This must be accomplished four to six months before a board convenes, which will allow time for delivery and updating of your record if required.
  - 3) Check your **Performance Summary Record (PSR)** and **Enlisted Summary Record (ESR)** on <https://www.bol.navy.mil> click on “ODC, OSR, PSR, ESR” link
- b) **Electronic Service Record (ESR)** Self-Service ESR: This can be viewed at (<https://nsips.nmci.navy.mil>) or on the Navy Standard Integrated Personnel System (NSIPS) ESR server onboard ship.
- c) **Electronic Training Jacket (ETJ)** Log-on to Navy Knowledge Online (NKO) and review your entire ETJ making sure that each section is correct. If not click on "Data Problems" on bottom of each page which will guide you on how to make corrections or updates.

Step 2 – Submit appropriate missing documents to the selection board.

- a) Selection board packages provide candidates the opportunity to submit any documents missing from the sections of their records which are viewed by the selection boards. MILPERSMAN 1070-080 specifies which documents from the enlisted permanent personnel record are provided to the selection board for review. Any documents the member has verified as missing from those sections of their permanent personnel record may be submitted as a selection board package.
- b) For submissions directly to the board and for those circumstances where the eligible candidate cannot get their official record updated and confirmed prior to the selection board convening date:
  1. All correspondence should be on plain white paper for readability; paper clipped (no staples, binders, folders, or tabs) and submitted under cover letter to the president of the board. Candidates must verify the correct subject line and board number (see below) is on their cover letters to ensure their packages appear before the proper board.
  2. Correspondence must include your Full name and SSN, must be affixed and legible on all documents submitted, and must be postmarked not later than that date listed in the associated NAVADMIN and addressed to:

NAVY PERSONNEL COMMAND CUSTOMER SERVICE CENTER  
PRESIDENT  
FY-XX **ACTIVE/RESERVE** E9 ENLISTED SELECTION BOARD #XXX  
5640 TICONDEROGA LOOP BLDG 768 RM E302  
MILLINGTON TN 38055  
(Active = 210 / SELRES =205 / FTS = 206)

(Use of special handling mail (certified or registered) is not advised due to significant delays in handling.)

- c) Ensure official record reflects any individual augmentation mission. (awards, evals, NEC, etc).
- d) Check (<http://www.npc.navy.mil/Boards/ActiveDutyEnlisted/GeneralInformation.htm>) to verify that the selection board has received your correspondence (if sent).

**NOTE: It is highly recommended that if corrections or updates are made, review your OMPF, or if Deployed, re-order your CD-Rom to confirm changes. (NOTE: Please allow 60 days for changes to take effect)**

Step 3 - After reviewing your service record - such as evaluations, awards, qualifications, etc. - start reviewing what you can do to improve yourself, such as:

- a) Request a **Career Development Board (CDB)** through your chain of command.
- b) Take a good, hard look at the type of **Collateral Duties** you are assigned. Review your command collateral duties instruction and talk with your COC and / or appear before the CDB. Take the tough command duties that provide the most involvement in the command as a whole and that have direct sailor support.
- c) Review your current level of education to see how far along you are in earning a **college degree** and pursue **non-resident Navy courses** to expand your level of knowledge. Complete the **Navy e-Learning courses on NKO** that are recommended in this document.
- d) Check out **OTHER Learning Opportunities** to add to your service record, such as the CANTRAC Volume I (Training Facilities) and CANTRAC Volume II (Course Descriptions). NKO at Learning > Learning Opportunities

Step 4 - Review qualifications that your rating values or requires for advancement and create a plan to earn these important pieces in the professional growth and advancement puzzle. Read the applicable NAVADMIN for additional dates and information, and review previous selection board precepts.

**QUALIFICATIONS AND CERTIFICATIONS**

<b>Sea/Shore General Qualifications Watch Standing Qualifications</b>	<b>Report Date</b>	<b>Completion Date (If qualification is not required place N/A in this Block)</b>
Ship Board Fire Fighting		
Aviation Fire Fighting		
General Damage Control		
Advanced Damage Control		
3M 303		
3M 304		
Section Leader		
Officer of the Deck (OOD) (In Port)		
Command Duty Officer (CDO)		
Junior Officer of the Deck (JOOD)		
Officer of the Deck (OOD) (At Sea)		
Chief of the Guard (AT/FP)		
Personal Qualifications Standard		

Mandatory warfare qualification for enlisted Sailors assigned to designated warfare qualifying commands:

<b>Warfare qualification programs</b>	<b>Report Date</b>	<b>Completion Date (If qualification is not required place N/A in this Block)</b>
Surface Warfare Specialist		
Aviation Warfare Specialist		

<b>Rate Specific/Department Qualifications (Add)</b>	<b>Report Date</b>	<b>Completion Date (If qualification is not required place N/A in this Block)</b>
Duty Combat Systems Officer		
Combat Systems Training Team (Supervisor)		
Anti-Terrorism/Force Protection Team (Supervisor)		

## CERTIFICATIONS

The following post military occupations are similar to the Fire Controlman Rating. For more information about these occupations, visit NAVY COOL at <https://www.cool.navy.mil>.

Occupation (Civilian Employer)
Computer Hardware Engineers
Computer Systems Analysts
Computer, Automated Teller, and Office Machine Repairers
Data Entry Keyers
Electrical and Electronics Repairers, Commercial and Industrial Equipment
Explosives Workers, Ordnance Handling Experts, and Blasters
First-Line Supervisors of Mechanics, Installers, and Repairers
Helpers--Installation, Maintenance, and Repair Workers
Inspectors, Testers, Sorters, Samplers, and Weighers
Network Systems and Data Communications Analysts
Radio Operators
Software Developers, Systems Software
Telecommunications Equipment Installers and Repairers, Except Line Installers
Training and Development Managers
<b>Military Sealift Command</b>
Chief Radio Electronics Technician

Occupation (Federal Employer)
0804 - Fire Protection Engineering Series
0855 - Electronics Engineering Series
0856 - Electronics Technical Series
1550 - Computer Science Series
2608 - Electronic Digital Computer Mechanic
2610 - Electronic Integrated Systems Mechanic
9944 - Electronics Technician

**Navy COOL:** The following certifications and licenses are applicable to the FC rating. They may require additional education, training or experience.

Target paygrade	Certifying Agency Web Site	Credential Title	Years Experience Required	Comp. date
E4	<a href="#">Computing Technology Industry Association (CompTIA)</a>	CompTIA Certified Technical Trainer (CTT+)	0	
E5	<a href="#">Electronics Technicians Association, International (ETA-I)</a>	Fiber Optics Technician (FOT)	0	
E5	<a href="#">Electronics Technicians Association, International (ETA-I)</a>	Certified Computer Service Technician (CST)	0.5	
E5	<a href="#">Electronics Technicians Association, International (ETA-I)</a>	Fiber Optics Installer (FOI)	0.5	
E6	<a href="#">Electronics Technicians Association, International (ETA-I)</a>	Certified Network Computer Technician (CNCT)	1	
E6	<a href="#">Electronics Technicians Association, International (ETA-I)</a>	Certified Network Systems Technician (CNST)	1	
E6	<a href="#">Hewlett Packard (HP)</a>	Certified Systems Administrator (CSA)	1	
E2	<a href="#">American Board for Certification in Homeland Security (ABCHS)</a>	Certified in Disaster Preparedness (CDP-I)	1 - 5	
E6	<a href="#">Electronics Technicians Association, International (ETA-I)</a>	Associate Electronics Technician (CETa)	<2	
E4	<a href="#">American Board for Certification in Homeland Security (ABCHS)</a>	Certified in Homeland Security Level I (CHS-I)	2	



E4	American Board for Certification in Homeland Security (ABCCHS)	Certified in Homeland Security Level II (CHS-II)	Level I Prereq	
E4	American Board for Certification in Homeland Security (ABCCHS)	Certified in Homeland Security Level III (CHS-III)	Level II Prereq	
E5	American Board for Certification in Homeland Security (ABCCHS)	Certified in Homeland Security Level IV (CHS-IV)	Level III Prereq	
E5	American Board for Certification in Homeland Security (ABCCHS)	Certified in Homeland Security Level V (CHS-V)	Level IV Prereq	
E6	Electronics Technicians Association, International (ETA-I)	RADAR Electronics Technician (RAD)	2	
E6	Electronics Technicians Association, International (ETA-I)	Telecommunications Electronics Technician - Journeyman (TCM)	2	

Visit Navy COOL <https://www.cool.navy.mil> for additional Credentials that you may qualify to earn; however funding may be limited to your GI bill or DANTES.

**USMAP (UNITED SERVICES MILITARY APPRENTICESHIP PROGRAM):**

	Comp. date
Electronics Technician (Professional & Kindred) (0169C)	
Electronics Technician (Professional & Kindred)	
Electronics Mechanic	
Electronics Mechanic (Any Industry)	
Optical-Instrument Assembler (Optical Goods)	
Ordnance Artificer (Government Service)	
Electronics Tester	
Computer Programmer (Professional & Kindred)	
Computer-Peripheral-Equipment Operator (Clerical)	

Visit USMAP <https://usmap.cnet.navy.mil/usmapss/static/usmap.jsp> for additional information

---

**STAY NAVY**

REENLIST / EXTEND: Request Chit/Form: \_\_\_\_\_ Guaranteed Assignment in Detailing (GUARD 2000): \_\_\_\_\_

Career Management System/Interactive Detailing (CMS/ID): \_\_\_\_\_

Medical/Dental Screening: \_\_\_\_\_ Command Recommendation (evaluation): \_\_\_\_\_ Bonus: \_\_\_\_\_ Ceremony: \_\_\_\_\_

**TRANSFER:**

<u>15 Months</u>	<u>12 Months</u>	<u>9 Months</u>	<u>6 Months</u>	<u>Orders Received</u>
Exception Family Member _____	EFM _____	CMS/ID _____	Accept Orders _____	Screening _____
CMS/ID _____	CMS/ID _____		Reverse Sponsor _____	Obligate _____
Continuous Overseas Tours (COT) _____			Relocation (FFSC) _____	Bonus _____
Overseas Tour Extension Incentive Program (OTEIP) _____			Medical/Dental _____	

For additional assistance in transfer and relocation, go to: <http://www.npc.navy.mil/CareerInfo/PerformtoServe>

---

**SEPARATING/RETIRE**

<u>18 -12 months</u>	<u>6 months</u>	<u>90 days</u>	<u>30 days</u>
Attend TAP/RTAP _____	MED/DEN _____	Copy of Records _____	Copy of Records _____
Complete DD2648PSD _____	Relocation _____	Official Record CD _____	PSD _____
Transition Planning _____	Relocation Services (FFSC) _____	Arrange Ceremony _____	MED/DEN _____
	Reserve Affiliation _____	Request Leave / PTDY _____	
	VA/DVA _____		

**PROFESSIONAL MILITARY EDUCATION**

(Resident and non-resident coursework designed to enhance a Sailor’s general military professional knowledge and abilities)

**EDUCATION: (Prior to considering any pursuit of off duty education or program enrollment VISIT YOUR NAVY COLLEGE OFFICE or call the Virtual Education Center (VEC!!!))**

Education Plan Completed (Navy College Office/VEC \_\_\_\_\_) Current Education Level \_\_\_\_\_

Degree Goal \_\_\_\_\_

\*\*Various distance learning degree options are available using, Sailor and Marine Online Academic Advisor (SMOLAA)\*\*

Goal: Date: AA/AS \_\_\_\_\_ BA/BS \_\_\_\_\_ Master \_\_\_\_\_ Doctorate \_\_\_\_\_

(Credits to earn a degree - AA/AS: 60 SH/90 QH, BA/BS: 120 SH/180, QH, Master /Doctorate: Variable based on program)

Number of current credits \_\_\_\_\_ American Council on Education (ACE) recommended credits \_\_\_\_\_

SOCNAV Agreement \_\_\_\_\_ SMART Transcripts \_\_\_\_\_ HS Transcripts \_\_\_\_\_ College Transcripts \_\_\_\_\_

Date Degree Obtained: AA/AS \_\_\_\_\_ BA/BS \_\_\_\_\_ Master \_\_\_\_\_ Doctorate \_\_\_\_\_

For entry into SMART, Send official transcripts to:  
 Center for Personal and Professional Development  
 Attn: Virtual Education Center  
 1905 Regulus Avenue, Ste. 234  
 Virginia Beach VA 23461-2009  
 Phone: 1-877-838-1659  
 Comm: 757-492-4684  
 FAX: 757-492-5095  
 DSN: 492-4684  
 Email: [VEC@navy.mil](mailto:VEC@navy.mil)

**VOLUNTARY EDUCATION (Study guides and exam preparations and practice test located on NKO)**

NCPACE \_\_\_\_\_ CLEP \_\_\_\_\_ DSST \_\_\_\_\_ TA \_\_\_\_\_ MGIB \_\_\_\_\_ Post 9/11 GIB \_\_\_\_\_

**SCPO REQUIRED NAVY PME:**

Course Title	Course Location	CIN/CSE ID	Course Length	Date Completed
Required General Military Training (GMT)	Command Delivered			
DON/DOD Information Assurance Training	NKO	DOD-IAA-V5.0	1 Hour	
Trafficking in Persons Basic Awareness Training	NKO	jkddc-tip-1 US	4 Hours	
ATFP Level I Awareness for Service Members (CONUS)	NKO	CANSF-ATFP-CONUS-1.0	1 Hour	
ATFP Level I Awareness Training for Overseas Service Member (OCONUS)	NKO	CANSF-ATFP-OCONUS-1	1 Hour	
Fleet Business: The Navy Business and Fiscal Practices Course	NKO	CNL-FB-1.0	16 Hours	
Chief Mess Training (CMT/LCC)	Command Delivered		Each Month	
ADAMS for Supervisors	Various Locations	S-501-0120	8 Hours	

**SCPO REQUIRED COMMUNITY PME:**

Course Title	Course Location	CIN/CSE ID	Course Length	Date Completed
None				

**SCPO RECOMMENDED NAVY PME:**

Course Title	Course Location	CIN/CSE ID	Course Length	Date Completed
Primary Enlisted Professional Military Education (PEPME)	NKO	Military DON/ PME	20 Hours	
Primary Professional Military Education (Enlisted) Block 1 - Introduction	NKO	PPME-SENL-B1.v2		
Primary Professional Military Education (Enlisted) Block 2 - The Culture of the Navy	NKO	PPME-SENL-B2.v2		
Primary Professional Military Education (Enlisted) Block 3 - Governance of the Navy	NKO	PPME-SENL-B3.v2		
Primary Professional Military Education (Enlisted) Block 4 - How the Navy Thinks About War	NKO	PPME-SENL-B4.v2		
Primary Professional Military Education (Enlisted) Block 5 - How the Navy Plans its Operations	NKO	PPME-SENL-B5.v2		
Primary Professional Military Education (Enlisted) Block 6 - Technology in the Maritime Domain	NKO	PPME-SENL-B6.v2		
Primary Professional Military Education (Enlisted) Block 7 - PME Conclusion	NKO	PPME-SENL-B7.v2		
Joint Professional Military Education (JPME)	War College	Military DON/ PME	40 Hours	
Senior Enlisted Academy (resident) or (blended)	Newport RI		6 or 2 weeks	
Senior Enlisted Leadership Development Guide Culture	NKO			
	NKO or College Course	Foreign Language and Culture	45 hrs	

**Courses With Recommended Reserve Points:**

Click this link for an Excel file of all Navy E-Learning courses offering "RECOMMENDED" reserve points. **NOTE:** Commander Navy Reserve Forces (CNRF) N7 determines the number of reserve points awarded for completion of a course taken on Navy E-Learning. This listing should only be used as a guide and is subject to change by direction of CNRF N7. **Navy E-Learning has no control over how many, if any, reserve points are eventually awarded for the completion of a course. All questions concerning the award of reserve points should be directed to CNRF N7.** <https://file-lms-cont01.nko.navy.mil/training/Courses With Recommended Reserve Points.xls>

**RECOMMENDED RESERVE PME:**

Course Title	Course Location	CIN/CSE ID	Course Length	Date Completed
NROWS Orders Administration Course	NKO	R-500-0140/02PG /DoN	8 hours	
Naval Reserve Center Commanding Officer Officer In Charge	NKO	CNRF-COOIC-1.0 /DoN	8 hours	
Guidance for Mobilization	NKO	CNRF-GMB-1.1 /DoN	4 hours	
Military Sealift Command 101	NKO	CNRF-MS101 /DoN 1.1	24 hours	
Non-Prior Service Accession Program	NKO	CNRF-NPSAP-2 /DoN 0	23 hours	

**RECOMMENDED COMMUNITY PME:**

Course Title	Course Location	CIN/CSE ID	Course Length	Date Completed
None				

**NAVY PROFESSIONAL READING PROGRAM:**

The purpose of the Navy Reading Program is to facilitate the professional and personal development of all sailors, seaman to admiral, active and reserve. Simply reading for pleasure is certainly encouraged, but the NPRP will facilitate reading material that may help develop skills and abilities that can be helpful in both your professional and personal lives.

<http://www.navyreading.navy.mil/>

**DEPARTMENT/COMMAND LEADERS COLLECTION**

Title	Completed
Master and Commander (Aubrey Maturin Series) by Patrick O'Brian	
Leadership: The Warrior's Art by Barry R. McCaffrey	
Jefferson's War: America's First War on Terror 1801-1805 by Joseph Wheelan	
One Hundred Years of Sea Power: The U. S. Navy, 1890-1990 by George Baer	
Eagle Against the Sun: The American War With Japan by Ronald Spector	
Imperial Grunts: The American Military on the Ground by Robert D. Kaplan	
From Beirut to Jerusalem by Thomas L. Friedman	
The Fate of Africa: From the Hopes of Freedom to the Heart of Despair by Martin Meredith	
Thinking In Time : The Uses Of History For Decision Makers by Richard E. Neustadt	
The Cruel Sea by Nicholas Monsarrat	
Implementing Diversity: Best Practices for Making Diversity Work in Your Organization by Marilyn Loden	
Execution: The Discipline of Getting Things Done by Larry Bossidy	

**RECOMMENDED COMMUNITY READING**

Title	Completed
Joint Fleet Maintenance Manual (JFMM)	
Naval Ships' Technical Manual (NSTM): Chapter 300	
Space Combat Systems Operational Sequencing System (CSOSS) Manuals	
Naval Electronics Engineering Training Series (NEETS) Modules	
FC Volumes	
GM Volumes	
ET Volumes	
STG Volumes	
Theory of Combat Systems Alignment	
Combat Systems Alignment Manual	
Ship Specific Smooth Log	

## **REFERENCES**

### **Navy Enlisted Learning and Development Programs:**

- Learning and Development Roadmap for Enlisted Sailors, OPNAVINST 1500.77(series)
- Navy Retention and Career Development Program, OPNAVINST 1040.11(series)
- Career Counselor Handbook, NAVPERS 15878
- Command Sponsor and Indoctrination Program OPNAVINST 1740.3(series) (Sponsor assigned within 10 days of orders received / Indoctrination completed as soon as possible and practicable but NLT 90 days)
- Command Sponsorship of Dependents at Overseas Duty MILPERSMAN 1300-150 to 1300-210
- Guaranteed Assignment Retention Detailing Program GUARD 2000, MILPERSMAN 1306-1002/1004
- Navy Enlisted Warfare Qualification Program OPNAVINST 1414.9 (series)
- Master Training Specialists (MTS) NETCINST 1500.2(series)
- Command Master Chief Program OPNAVINST 1306.2 (series)

### **Reenlistments and Extensions:**

- Agreement of Enlisted Naval Reservist, Inductees and Fleet Reservists to remain on Active Duty MILPERSMAN 1160-060
- Career Reenlistment Objectives (use latest CREO NAVADMIN)
- Extension of Enlistment MILPERSMAN 1160-040
- Overseas Tour Extension Incentives Program (OTEIP) MILPERSMAN 1306-300
- Consecutive Overseas Tours (COT) Leave Travel Entitlement Policy MILPERSMAN 1050-410
- Perform to Serve (PTS) MILPERSMAN 1440-060
- Reenlistment Ceremony MILPERSMAN 1160-020
- Reenlistment Leave MILPERSMAN 1050-040
- Required Counseling upon Enlistment and Reenlistment MILPERSMAN 1160-031
- Selective Conversion and Reenlistment (SCORE) Program MILPERSMAN 1160-090
- Selective Reenlistment Bonus (Use Latest SRB NAVADMIN)
- Selective Training and Reenlistment (STAR) Program MILPERSMAN 1160-100
- School as a Reenlistment Incentive MILPERSMAN 1306-1006

### **Fleet Reserve and Retirements:**

- Casualties and Survivor Benefits (SBP) MILPERSMAN 1770 to 1770-250
- Disability Retirement MILPERSMAN 1850-020 to 1850-040
- Fleet Reserve and Retirement MILPERSMAN 1800-010 to 1800-070
- Household Goods and Personal Property (PCS and Retirees) MILPERSMAN 4050-010 to 020
- Permissive Temporary Duty (PTDY) MILPERSMAN 1320-220
- Transition Assistance Management Program OPNAVINST 1900.2(series) (Initiate a DD-2648-1 NLT 90 Days Prior to Separation and attend workshop 12 months prior to separation/Fleet Reserve/Retirement date)

### **Enlisted Administrative Separations:**

- Alcohol Rehabilitation Failure MILPERSMAN 1910-152
- Drug Abuse MILPERSMAN 1910-146
- Early release to further education MILPERSMAN 1910-108
- Enlisted Administrative Separation Policy MILPERSMAN 1910-010 to 1910-812
- Fraudulent Enlistment MILPERSMAN 1910-134
- High Year Tenure (HYT) AC MILPERSMAN 1160-120 / RC 1160-130
- Misconduct (various reasons) MILPERSMAN 1910-138/140/142
- Parenthood and Pregnancy SECNAVINST 1000.10(series) & MILPERSMAN 1910-124
- Personality Disorder MILPERSMAN 1910-122
- Physical Fitness Assessment Failure MILPERSMAN 1910-170
- Serious Offense MILPERSMAN 1910-142
- Unsatisfactory Performance MILPERSMAN 1910-156

### **Advancement & Service Schools:**

- Advancement BUPERSINST 1430.16(series)
- Accelerated Advancement MILPERSMAN 1430-010
- Enlisted to Officer Commissioning Program Application & Administration Manual OPNAVINST 1420.1(series)
- Service Schools 1306-600/602/604/608
- Class “A” School & Rating Entry Requirements MILPERSMAN 1306-618
- Retesting with the Armed Forces Classification Test version of the Armed Services Vocational Aptitude Battery (ASVAB) MILPERSMAN 1236-010
- Professional Apprenticeship Tracks Program (PACT) NAVADMIN 318/07

### **Education:**

- Joint Chiefs Professional Military Education (PME) Manual 1805.01
- Navy Voluntary Education Program (Navy Campus) OPNAVINST 1560.9(series)
- Tuition Assistance Management Controls NAVADMIN 161/07 / NETC LTR Execution Guidelines 1560 Ser N00178, Aug 07
- Navy Credentialing Program OPNAVINST 1540.56
- Uniformed Services Military Apprenticeship Programs OPNAVINST 1560.10(series)

### **Other Quick References:**

- Awards Manual (SECNAV 1650.1(Series))
- Change in Rank, Rate or Rating MILPERSMAN 1440-010 to 1440-050
- Department of the Navy Correspondence Manual (SECNAV M-5216.5 (Series))
- Drug and Alcohol Prevention Control Program OPNAVINST 5350.4(series)
- Exchange of Duty (SWAPS) MILPERSMAN 1306-700
- First Term Personnel Assignment Policy MILPERSMAN 1306-126
- Individual Augmentation (IA) Policy and Procedures OPNAVINST 1001.21(series)
- Military Couple and Single Parent Assignment Policy MILPERSMAN 1300-1000
- Military Pay MILPERSMAN 7220-010 to 7220-390
- Naval Performance Evaluation System BUPERSINST 1610.10 (Series)
- Overseas tour Extensions MILPERSMAN 1300-310
- Physical Readiness Program OPNAVINST 6110.1(series) / MILPERSMAN 6100-6199
- Reassignment for Humanitarian reasons (HUMS) MILPERSMAN 1300-500
- Standard Policy and Procedures for the Active Duty for Special Work (ADSW) & 1 year Recall Program OPNAVINST 1001.20(series)
- Operational Risk Management OPNAVINST 3500..39(series)



**FIRE CONTROLMAN (FC) MASTER CHIEF  
(Master)**

NAME \_\_\_\_\_

**SKILL TRAINING**

(Schools, courses and assignments directly related to occupation)

**REQUIRED SKILL TRAINING**

Course Title	Course Location	CIN/CSE ID	Course Length	Date Completed
None				

**RECOMMENDED SKILL TRAINING**

Course Title	Course Location	CIN/CSE ID	Course Length	Date Completed
None				

**NAVY ENLISTED CLASSIFICATION CODE (NEC) OPPORTUNITIES**

Course Title	Course Location	CIN/CSE ID	Course Length	Date Completed
Combat Systems Senior Enlisted	Dam Neck, Va	J-500-2104		
Over The Horizon-Targeting (OTH-T) Sup	Multiple	Multiple		
Combat System Maint Manager	Dahlgren, Va Dam Neck, Va	S-121-0548		

**JOB DESCRIPTION**

Over see the day-to-day functions of the department focusing on system and equipment maintenance while ensuring each Sailor under your charge is healthy, financially well, and continues to train and evolve into the next generation of Chiefs and Officers. Assert a command level presence to ensure your professional talents and years of experience are available to the Commanding Officer, Executive Officer, Department Heads, and the Command Master Chief.

**RECOMMENDED BILLET ASSIGNMENTS**

Cruiser / Destroyer Department Leading Chief Petty Officer  
Large Deck Amphibious Ship Department Leading Chief Petty Officer

Other opportunities: Command Master Chief  
RDC  
Instructor/Facilitator  
3-M Coordinator  
CMEO/EOA  
DAPA  
CACO  
Detailer  
Joint Assignments  
GWOT Support Assignments



---

**PERSONAL AND PROFESSIONAL DEVELOPMENT (Completed at reporting 30 day Career Development Board)**

Command Address: \_\_\_\_\_ QD Phone Number: \_\_\_\_\_  
\_\_\_\_\_

Division Officer: \_\_\_\_\_ Phone Number: \_\_\_\_\_

Command Master Chief: \_\_\_\_\_ Phone Number: \_\_\_\_\_

Sponsor/Mentor: \_\_\_\_\_ Phone Number: \_\_\_\_\_

Depart/Division Career Counselor: \_\_\_\_\_ Phone Number: \_\_\_\_\_

ADSD: \_\_\_\_\_ REPORT DATE: \_\_\_\_\_ EAOS: \_\_\_\_\_ PRD: \_\_\_\_\_ SEA / SHORE: \_\_\_\_/\_\_\_\_

HYT Date \_\_\_\_\_ Security Clearance Level \_\_\_\_\_ Date Last updated \_\_\_\_\_ Command INDOC complete \_\_\_\_\_

---

**CAREER DEVELOPMENT BOARDS:** Use with OPNAVINST 1040.11(series) & Career Counselor Handbook  
Reason for Convening/Discussion Items: (Upon completion update (CIMS) Career Information Management System)

Reporting (within 30 days for active duty or three drill weekends for SELRES) (Date Conducted): \_\_\_\_\_

6 month progress check (Date Conducted): \_\_\_\_\_ 12 Months \_\_\_\_\_ 24 Months \_\_\_\_\_

36 Months \_\_\_\_\_ 48 Months \_\_\_\_\_ 60 Months \_\_\_\_\_ Special Program/Member Request \_\_\_\_\_

Correspondence Courses \_\_\_\_\_ Catalog of Courses \_\_\_\_\_

Commissioning Programs Applications (Conducted): \_\_\_\_\_ (prior to submission, command endorsement)  
Enlisted to Officer Commissioning Program Application & Administration Manual OPNAVINST 1420.1(series):

Medical Enlisted Commissioning Program (MECP) \_\_\_\_\_ Limited Duty Officer \_\_\_\_\_ Chief Warrant Officer \_\_\_\_\_

Physical Fitness Test Failure (Conducted): \_\_\_\_\_ Career Status Bonus (election message received) (Conducted): \_\_\_\_\_

HYT 24 months (Date): \_\_\_\_\_ HYT 12 months (Date): \_\_\_\_\_ HYT Waiver Date: \_\_\_\_\_ Approve/Disapprove

Transfer \_\_\_\_\_ Early Separation: \_\_\_\_\_ Fleet Reserve Retirement Options: \_\_\_\_\_

**Career Management Calendar:** <https://wwwa.nko.navy.mil/portal/careermanagement/home/careermanagementcalendar>

**QUALIFICATIONS AND CERTIFICATIONS**

<b>Sea/Shore General Qualifications Watch Standing Qualifications</b>	<b>Report Date</b>	<b>Completion Date (If qualification is not required place N/A in this Block)</b>
Ship Board Fire Fighting		
Aviation Fire Fighting		
General Damage Control		
Advanced Damage Control		
3M 303		
3M 304		
Section Leader		
Officer of the Deck (OOD) (In Port)		
Command Duty Officer (CDO)		
Junior Officer of the Deck (JOOD)		
Officer of the Deck (OOD) (At Sea)		
Chief of the Guard (AT/FP)		
Personal Qualifications Standard		

Mandatory warfare qualification for enlisted Sailors assigned to designated warfare qualifying commands:

<b>Warfare qualification programs</b>	<b>Report Date</b>	<b>Completion Date (If qualification is not required place N/A in this Block)</b>
Surface Warfare Specialist		
Aviation Warfare Specialist		

<b>Rate Specific/Department Qualifications (Add)</b>	<b>Report Date</b>	<b>Completion Date (If qualification is not required place N/A in this Block)</b>
Duty Combat Systems Officer		
Combat Systems Training Team (Supervisor)		
Anti-Terrorism/Force Protection Team (Supervisor)		

## CERTIFICATIONS

The following post military occupations are similar to the Fire Controlman Rating. For more information about these occupations, visit NAVY COOL at <https://www.cool.navy.mil>.

Occupation (Civilian Employer)
Computer Hardware Engineers
Computer Systems Analysts
Computer, Automated Teller, and Office Machine Repairers
Data Entry Keyers
Electrical and Electronics Repairers, Commercial and Industrial Equipment
Explosives Workers, Ordnance Handling Experts, and Blasters
First-Line Supervisors of Mechanics, Installers, and Repairers
Helpers--Installation, Maintenance, and Repair Workers
Inspectors, Testers, Sorters, Samplers, and Weighers
Network Systems and Data Communications Analysts
Radio Operators
Software Developers, Systems Software
Telecommunications Equipment Installers and Repairers, Except Line Installers
Training and Development Managers
<b>Military Sealift Command</b>
Chief Radio Electronics Technician

Occupation (Federal Employer)
0804 - Fire Protection Engineering Series
0855 - Electronics Engineering Series
0856 - Electronics Technical Series
1550 - Computer Science Series
2608 - Electronic Digital Computer Mechanic
2610 - Electronic Integrated Systems Mechanic
9944 - Electronics Technician

**Navy COOL:** The following certifications and licenses are applicable to the FC rating. They may require additional education, training or experience.

Target paygrade	Certifying Agency Web Site	Credential Title	Years Experience Required	Comp. date
E4	<a href="#">Computing Technology Industry Association (CompTIA)</a>	CompTIA Certified Technical Trainer (CTT+)	0	
E5	<a href="#">Electronics Technicians Association, International (ETA-I)</a>	Fiber Optics Technician (FOT)	0	
E5	<a href="#">Electronics Technicians Association, International (ETA-I)</a>	Certified Computer Service Technician (CST)	0.5	
E5	<a href="#">Electronics Technicians Association, International (ETA-I)</a>	Fiber Optics Installer (FOI)	0.5	
E6	<a href="#">Electronics Technicians Association, International (ETA-I)</a>	Certified Network Computer Technician (CNCT)	1	
E6	<a href="#">Electronics Technicians Association, International (ETA-I)</a>	Certified Network Systems Technician (CNST)	1	
E6	<a href="#">Hewlett Packard (HP)</a>	Certified Systems Administrator (CSA)	1	
E2	<a href="#">American Board for Certification in Homeland Security (ABCHS)</a>	Certified in Disaster Preparedness (CDP-I)	1 - 5	
E6	<a href="#">Electronics Technicians Association, International (ETA-I)</a>	Associate Electronics Technician (CETa)	<2	
E4	<a href="#">American Board for Certification in Homeland Security (ABCHS)</a>	Certified in Homeland Security Level I (CHS-I)	2	

E4	American Board for Certification in Homeland Security (ABCCHS)	Certified in Homeland Security Level II (CHS-II)	Level I Prereq	
E4	American Board for Certification in Homeland Security (ABCCHS)	Certified in Homeland Security Level III (CHS-III)	Level II Prereq	
E5	American Board for Certification in Homeland Security (ABCCHS)	Certified in Homeland Security Level IV (CHS-IV)	Level III Prereq	
E5	American Board for Certification in Homeland Security (ABCCHS)	Certified in Homeland Security Level V (CHS-V)	Level IV Prereq	
E6	Electronics Technicians Association, International (ETA-I)	RADAR Electronics Technician (RAD)	2	
E6	Electronics Technicians Association, International (ETA-I)	Telecommunications Electronics Technician - Journeyman (TCM)	2	

Visit Navy COOL <https://www.cool.navy.mil> for additional Credentials that you may qualify to earn; however funding may be limited to your GI bill or DANTES.

**USMAP (UNITED SERVICES MILITARY APPRENTICESHIP PROGRAM):**

	Comp. date
Electronics Technician (Professional & Kindred) (0169C)	
Electronics Technician (Professional & Kindred)	
Electronics Mechanic	
Electronics Mechanic (Any Industry)	
Optical-Instrument Assembler (Optical Goods)	
Ordnance Artificer (Government Service)	
Electronics Tester	
Computer Programmer (Professional & Kindred)	
Computer-Peripheral-Equipment Operator (Clerical)	

Visit USMAP <https://usmap.cnet.navy.mil/usmapss/static/usmap.jsp> for additional information

---

**STAY NAVY**

REENLIST / EXTEND: Request Chit/Form: \_\_\_\_\_ Guaranteed Assignment in Detailing (GUARD 2000): \_\_\_\_\_

Career Management System/Interactive Detailing (CMS/ID): \_\_\_\_\_

Medical/Dental Screening: \_\_\_\_\_ Command Recommendation (evaluation): \_\_\_\_\_ Bonus: \_\_\_\_\_ Ceremony: \_\_\_\_\_

**TRANSFER:**

<u>15 Months</u>	<u>12 Months</u>	<u>9 Months</u>	<u>6 Months</u>	<u>Orders Received</u>
Exception Family Member _____	EFM _____	CMS/ID _____	Accept Orders _____	Screening _____
CMS/ID _____	CMS/ID _____		Reverse Sponsor _____	Obligate _____
Continuous Overseas Tours (COT) _____			Relocation (FFSC) _____	Bonus _____
Overseas Tour Extension Incentive Program (OTEIP) _____			Medical/Dental _____	

For additional assistance in transfer and relocation, go to: <http://www.npc.navy.mil/CareerInfo/PerformtoServe>

---

**SEPARATING/RETIRE**

<u>18 -12 months</u>	<u>6 months</u>	<u>90 days</u>	<u>30 days</u>
Attend TAP/RTAP _____	MED/DEN _____	Copy of Records _____	Copy of Records _____
Complete DD2648PSD _____	Relocation _____	Official Record CD _____	PSD _____
Transition Planning _____	Relocation Services (FFSC) _____	Arrange Ceremony _____	MED/DEN _____
	Reserve Affiliation _____	Request Leave / PTDY _____	
	VA/DVA _____		

**PROFESSIONAL MILITARY EDUCATION**

(Resident and non-resident coursework designed to enhance a Sailor’s general military professional knowledge and abilities)

**EDUCATION: (Prior to considering any pursuit of off duty education or program enrollment VISIT YOUR NAVY COLLEGE OFFICE or call the Virtual Education Center (VEC!!!))**

Education Plan Completed (Navy College Office/VEC \_\_\_\_\_) Current Education Level \_\_\_\_\_

Degree Goal \_\_\_\_\_

\*\*Various distance learning degree options are available using, Sailor and Marine Online Academic Advisor (SMOLAA)\*\*

Goal: Date: AA/AS \_\_\_\_\_ BA/BS \_\_\_\_\_ Master \_\_\_\_\_ Doctorate \_\_\_\_\_

(Credits to earn a degree - AA/AS: 60 SH/90 QH, BA/BS: 120 SH/180, QH, Master /Doctorate: Variable based on program)

Number of current credits \_\_\_\_\_ American Council on Education (ACE) recommended credits \_\_\_\_\_

SOCNAV Agreement \_\_\_\_\_ SMART Transcripts \_\_\_\_\_ HS Transcripts \_\_\_\_\_ College Transcripts \_\_\_\_\_

Date Degree Obtained: AA/AS \_\_\_\_\_ BA/BS \_\_\_\_\_ Master \_\_\_\_\_ Doctorate \_\_\_\_\_

For entry into SMART, Send official transcripts to:  
 Center for Personal and Professional Development  
 Attn: Virtual Education Center  
 1905 Regulus Avenue, Ste. 234  
 Virginia Beach VA 23461-2009  
 Phone: 1-877-838-1659  
 Comm: 757-492-4684  
 FAX: 757-492-5095  
 DSN: 492-4684  
 Email: [VEC@navy.mil](mailto:VEC@navy.mil)

**VOLUNTARY EDUCATION (Study guides and exam preparations and practice test located on NKO)**

NCPACE \_\_\_\_\_ CLEP \_\_\_\_\_ DSST \_\_\_\_\_ TA \_\_\_\_\_ MGIB \_\_\_\_\_ Post 9/11 GIB \_\_\_\_\_

**MCPO REQUIRED NAVY PME:**

Course Title	Course Location	CIN/CSE ID	Course Length	Date Completed
Required General Military Training (GMT)	Command Delivered			
DON/DOD Information Assurance Training	NKO	DOD-IAA-V8.0	1 Hour	
Trafficking in Persons Basic Awareness Training	NKO	jkddc-tip-1 US	4 Hours	
ATFP Level I Awareness for Service Members (CONUS)	NKO	CANSF-ATFP-CONUS-1.0	1 Hour	
ATFP Level I Awareness Training for Overseas Service Member (OCONUS)	NKO	CANSF-ATFP-OCONUS-1	1 Hour	
Fleet Business: The Navy Business and Fiscal Practices Course	NKO	CNL-FB-1.0	2 Hours	
Joint Professional Military Education (JPME)	War College	Military DON/ PME	40 Hours	
Senior Enlisted Academy (resident) or (blended)	Newport RI		6 or 2 weeks	
Chief’s Mess Training (CMT/LCC)	Command Delivered		Each Month	
ADAMS for Supervisors	Various Locations	S-501-0120	8 Hours	

**MCPO REQUIRED COMMUNITY PME:**

Course Title	Course Location	CIN/CSE ID	Course Length	Date Completed
None				

**MCPO RECOMMENDED NAVY PME:**

Course Title	Course Location	CIN/CSE ID	Course Length	Date Completed
Primary Enlisted Professional Military Education (PEPME)	NKO	Military DON/ PME	20 Hours	
Primary Professional Military Education (Enlisted) Block 1 - Introduction	NKO	PPME-SENL-B1.v2		
Primary Professional Military Education (Enlisted) Block 2 - The Culture of the Navy	NKO	PPME-SENL-B2.v2		
Primary Professional Military Education (Enlisted) Block 3 - Governance of the Navy	NKO	PPME-SENL-B3.v2		
Primary Professional Military Education (Enlisted) Block 4 - How the Navy Thinks About War	NKO	PPME-SENL-B4.v2		
Primary Professional Military Education (Enlisted) Block 5 - How the Navy Plans its Operations	NKO	PPME-SENL-B5.v2		
Primary Professional Military Education (Enlisted) Block 6 - Technology in the Maritime Domain	NKO	PPME-SENL-B6.v2		
Primary Professional Military Education (Enlisted) Block 7 - PME Conclusion	NKO	PPME-SENL-B7.v2		
Joint Professional Military Education (JPME)	War College	Military DON/ PME	40 Hours	
Senior Enlisted Academy (resident) or (blended)	Newport RI		6 or 2 weeks	
Senior Enlisted Leadership Development Guide Culture	NKO			
	NKO or College Course	Foreign Language and Culture	45 hrs	

**Courses With Recommended Reserve Points:**

Click this link for an Excel file of all Navy E-Learning courses offering "RECOMMENDED" reserve points. **NOTE:** Commander Navy Reserve Forces (CNRF) N7 determines the number of reserve points awarded for completion of a course taken on Navy E-Learning. This listing should only be used as a guide and is subject to change by direction of CNRF N7. **Navy E-Learning has no control over how many, if any, reserve points are eventually awarded for the completion of a course. All questions concerning the award of reserve points should be directed to CNRF N7.** <https://file-lms-cont01.nko.navy.mil/training/Courses With Recommended Reserve Points.xls>

**RECOMMENDED RESERVE PME:**

Course Title	Course Location	CIN/CSE ID	Course Length	Date Completed
NROWS Orders Administration Course	NKO	R-500-0140/02PG /DoN	8 hours	
Naval Reserve Center Commanding Officer Officer In Charge	NKO	CNRF-COOIC-1.0 /DoN	8 hours	
Guidance for Mobilization	NKO	CNRF-GMB-1.1 /DoN	4 hours	
Military Sealift Command 101	NKO	CNRF-MS101 /DoN 1.1	24 hours	
Non-Prior Service Accession Program	NKO	CNRF-NPSAP-2 /DoN 0	23 hours	

**RECOMMENDED COMMUNITY PME:**

Course Title	Course Location	CIN/CSE ID	Course Length	Date Completed
None				

**NAVY PROFESSIONAL READING PROGRAM:**

The purpose of the Navy Reading Program is to facilitate the professional and personal development of all sailors, seaman to admiral, active and reserve. Simply reading for pleasure is certainly encouraged, but the NPRP will facilitate reading material that may help develop skills and abilities that can be helpful in both your professional and personal lives.

<http://www.navyreading.navy.mil/>

**SENIOR LEADERS COLLECTION**

Title	Completed
The Second World War, Volume 1: The Gathering Storm <i>by Winston Churchill</i>	
1776 <i>by David McCullough</i>	
Aircraft Carriers at War: A Personal Retrospective of Korea, Vietnam, and the Soviet Confrontation <i>by James Holloway III</i>	
The Pursuit of Victory: The Life And Achievement of Horatio Nelson <i>by R. J. B. Knight</i>	
Goodbye, Darkness: A Memoir of the Pacific War <i>by William Manchester</i>	
Dying to Win: The Strategic Logic of Suicide Terrorism <i>by Robert Pape</i>	
The Great Wall at Sea: China's Navy Enters the Twenty-First Century <i>by Bernard D. Cole</i>	
The Art of the Long View: Planning for the Future in an Uncertain World <i>by Peter Schwartz</i>	
Scenarios: The Art of Strategic Conversation <i>by Kees van der Heijden</i>	
Moneyball: The Art of Winning an Unfair Game <i>by Michael Lewis</i>	
The Rise and Fall of Strategic Planning <i>by Henry Mintzberg</i>	

**RECOMMENDED COMMUNITY READING**

Title	Completed
Joint Fleet Maintenance Manual (JFMM)	
Naval Ships' Technical Manual (NSTM): Chapter 300	
Space Combat Systems Operational Sequencing System (CSOSS) Manuals	
Naval Electronics Engineering Training Series (NEETS) Modules	
FC Volumes	
GM Volumes	
ET Volumes	
STG Volumes	
Theory of Combat Systems Alignment	
Combat Systems Alignment Manual	
Ship Specific Smooth Log	



## **REFERENCES**

### **Navy Enlisted Learning and Development Programs:**

- Learning and Development Roadmap for Enlisted Sailors, OPNAVINST 1500.77(series)
- Navy Retention and Career Development Program, OPNAVINST 1040.11(series)
- Career Counselor Handbook, NAVPERS 15878
- Command Sponsor and Indoctrination Program OPNAVINST 1740.3(series) (Sponsor assigned within 10 days of orders received / Indoctrination completed as soon as possible and practicable but NLT 90 days)
- Command Sponsorship of Dependents at Overseas Duty MILPERSMAN 1300-150 to 1300-210
- Guaranteed Assignment Retention Detailing Program GUARD 2000, MILPERSMAN 1306-1002/1004
- Navy Enlisted Warfare Qualification Program OPNAVINST 1414.9 (series)
- Master Training Specialists (MTS) NETCINST 1500.2(series)
- Command Master Chief Program OPNAVINST 1306.2 (series)

### **Reenlistments and Extensions:**

- Agreement of Enlisted Naval Reservist, Inductees and Fleet Reservists to remain on Active Duty MILPERSMAN 1160-060
- Career Reenlistment Objectives (use latest CREO NAVADMIN)
- Extension of Enlistment MILPERSMAN 1160-040
- Overseas Tour Extension Incentives Program (OTEIP) MILPERSMAN 1306-300
- Consecutive Overseas Tours (COT) Leave Travel Entitlement Policy MILPERSMAN 1050-410
- Perform to Serve (PTS) MILPERSMAN 1440-060
- Reenlistment Ceremony MILPERSMAN 1160-020
- Reenlistment Leave MILPERSMAN 1050-040
- Required Counseling upon Enlistment and Reenlistment MILPERSMAN 1160-031
- Selective Conversion and Reenlistment (SCORE) Program MILPERSMAN 1160-090
- Selective Reenlistment Bonus (Use Latest SRB NAVADMIN)
- Selective Training and Reenlistment (STAR) Program MILPERSMAN 1160-100
- School as a Reenlistment Incentive MILPERSMAN 1306-1006

### **Fleet Reserve and Retirements:**

- Casualties and Survivor Benefits (SBP) MILPERSMAN 1770 to 1770-250
- Disability Retirement MILPERSMAN 1850-020 to 1850-040
- Fleet Reserve and Retirement MILPERSMAN 1800-010 to 1800-070
- Household Goods and Personal Property (PCS and Retirees) MILPERSMAN 4050-010 to 020
- Permissive Temporary Duty (PTDY) MILPERSMAN 1320-220
- Transition Assistance Management Program OPNAVINST 1900.2(series) (Initiate a DD-2648-1 NLT 90 Days Prior to Separation and attend workshop 12 months prior to separation/Fleet Reserve/Retirement date)

### **Enlisted Administrative Separations:**

- Alcohol Rehabilitation Failure MILPERSMAN 1910-152
- Drug Abuse MILPERSMAN 1910-146
- Early release to further education MILPERSMAN 1910-108
- Enlisted Administrative Separation Policy MILPERSMAN 1910-010 to 1910-812
- Fraudulent Enlistment MILPERSMAN 1910-134
- High Year Tenure (HYT) AC MILPERSMAN 1160-120 / RC 1160-130
- Misconduct (various reasons) MILPERSMAN 1910-138/140/142
- Parenthood and Pregnancy SECNAVINST 1000.10(series) & MILPERSMAN 1910-124
- Personality Disorder MILPERSMAN 1910-122
- Physical Fitness Assessment Failure MILPERSMAN 1910-170
- Serious Offense MILPERSMAN 1910-142
- Unsatisfactory Performance MILPERSMAN 1910-156

### **Advancement & Service Schools:**

- Advancement BUPERSINST 1430.16(series)
- Accelerated Advancement MILPERSMAN 1430-010
- Enlisted to Officer Commissioning Program Application & Administration Manual OPNAVINST 1420.1(series)
- Service Schools 1306-600/602/604/608
- Class “A” School & Rating Entry Requirements MILPERSMAN 1306-618
- Retesting with the Armed Forces Classification Test version of the Armed Services Vocational Aptitude Battery (ASVAB) MILPERSMAN 1236-010
- Professional Apprenticeship Tracks Program (PACT) NAVADMIN 318/07

### **Education:**

- Joint Chiefs Professional Military Education (PME) Manual 1805.01
- Navy Voluntary Education Program (Navy Campus) OPNAVINST 1560.9(series)
- Tuition Assistance Management Controls NAVADMIN 161/07 / NETC LTR Execution Guidelines 1560 Ser N00178, Aug 07
- Navy Credentialing Program OPNAVINST 1540.56
- Uniformed Services Military Apprenticeship Programs OPNAVINST 1560.10(series)

### **Other Quick References:**

- Awards Manual (SECNAV 1650.1(Series))
- Change in Rank, Rate or Rating MILPERSMAN 1440-010 to 1440-050
- Department of the Navy Correspondence Manual (SECNAV M-5216.5 (Series))
- Drug and Alcohol Prevention Control Program OPNAVINST 5350.4(series)
- Exchange of Duty (SWAPS) MILPERSMAN 1306-700
- First Term Personnel Assignment Policy MILPERSMAN 1306-126
- Individual Augmentation (IA) Policy and Procedures OPNAVINST 1001.21(series)
- Military Couple and Single Parent Assignment Policy MILPERSMAN 1300-1000
- Military Pay MILPERSMAN 7220-010 to 7220-390
- Naval Performance Evaluation System BUPERSINST 1610.10 (Series)
- Overseas tour Extensions MILPERSMAN 1300-310
- Physical Readiness Program OPNAVINST 6110.1(series) / MILPERSMAN 6100-6199
- Reassignment for Humanitarian reasons (HUMS) MILPERSMAN 1300-500
- Standard Policy and Procedures for the Active Duty for Special Work (ADSW) & 1 year Recall Program OPNAVINST 1001.20(series)
- Operational Risk Management OPNAVINST 3500..39(series)



**ALL PAYGRADES**  
**VOLUNTARY EDUCATION**



**Note: Prior to considering any pursuit of off duty education or program enrollment visit your Navy College Office.  
You must complete the Tuition Assistance Workshop before your first course will be approved.**

**E1- E6: The workshop is available at your Navy College Office**  
**E-7 and above: The Workshop is available at your Navy College Office**  
**or**  
**Complete the online course at the Navy College Website**

**How do I get started?**

You already have. All your training up to this point is part of your Fire Controlman Roadmap. Now that you have made the first steps you will need to sit down and formulate a plan. This plan will work best if you start out discussing your options with your Leading Chief Petty Officer, Leading Petty Officer, Mentor, or Career Counselor. They will help you understand all of the basics. Then your next stop is your Navy College Office. The counselors there will be able to help you formalize your plan and make sure that it makes sense for both you and the Navy. To aid you in your conversation with these professionals, here are a few questions that you may want to ask.

What credits do you have? What non-college courses have you taken? Where do you want to go? What field of study or what kind of degree? What program will help me get there, Traditional or Online, What are my next steps: Transfer credits, Take exams, Have experience evaluated, then lastly sign up for new courses?

**RECOMMENDED OCCUPATIONAL-RELATED ASSOCIATE'S DEGREE FOR FIRE CONTROLMAN**

Recommended Associates' degrees for the Fire Controlman Rate;
Electronics
Computer Science
Computer Networking
Information Technology

**RECOMMENDED OCCUPATIONAL-RELATED BACCALAUREATE DEGREE FOR FIRE CONTROLMAN**

Recommended Bachelors' degrees for the Fire Controlman Rate;
Electronics
Computer Science
Computer Networking
Information Technology
Telecommunications, , ,
Engineering or Engineering Technology
Mathematics
Business Administration,

## GENERAL INFORMATION ON VOLUNTARY EDUCATION

### The Navy College Program & Web Page: <https://www.navycollege.navy.mil>

The Navy College Program (NCP) provides opportunities to Sailors to earn college degrees by providing academic credit for Navy training, work experience, and off-duty education. The NCP mission is to enable Sailors to obtain a college degree while on active duty. In support of the four R's- Recruiting, Readiness, Retention, and Respect, the NCP signifies Navy's commitment to education by improving enlistment appeal, demonstrating Navy service and achieving a college degree are compatible, helping Sailors apply themselves to new situations and challenges and better preparing them for advancement, building up Sailors' self-image, and producing higher quality Sailors.

### Navy College Program Distance Learning Program (NCPDLP)

The Navy College Program (NCP) has developed partnerships with colleges and universities to offer rating relevant degrees via distance learning to Sailors everywhere. These new education partnerships provide associates and bachelors degree programs relevant to each rating, and make maximum use of military professional training and experience to fulfill degree requirements. The program also provides opportunities to take courses through distance learning so that Sailors anywhere will be able to pursue a degree. Courses are offered in a variety of formats, such as CD-ROM, videotape, paper, or over the Internet. Contact your Navy College Office or the Navy College Center about degree programs available from your partnership schools.

### Servicemembers Opportunity College Navy (SOCNAV): <http://www.soc.aascu.org/socnav>.

SOCNAV consists of accredited colleges offering specific associate and bachelors degrees to Navy members worldwide through resident courses or distance learning. Colleges taking part in each curriculum area guarantee acceptance of each other's credits for transfer. The "home" college issues an official evaluation of all prior learning on a SOCNAV Agreement. This agreement serves as the student's long range degree plan. Why become a SOCNAV student? SOCNAV colleges offer degrees in many different areas (called networks). Students do not lose credits; transferability of courses within the same network is guaranteed from one SOCNAV college to another. Required residency is kept to a minimum. Many SOCNAV networks are closely related to Navy ratings, resulting in maximum awarding of credit for Navy training.

### Tuition Assistance(TA):

TA provides funds for eligible active-duty personnel to attend approved educational institutions on an off-duty basis to earn a high school diploma, vocational/technical certificate, or college degree. TA pays for tuition and fees directly associated with the course of instruction. TA will pay for the following amounts per fiscal year: 16 semester hours, not-to-exceed \$250/credit or 24 quarter hours, not-to-exceed \$166.67/credit or a combination of semester and quarter hours.

### Sailor Marine American Council On Education Registry Transcripts (SMART)

**SMARTs** are official military transcripts which are used by colleges to validate your actual credited training. Every Sailor has a transcript already and access to it is free. More information is available online at: [www.cnet.navy.mil](http://www.cnet.navy.mil).

### The American Council on Education (ACE)

ACE has reviewed every course listed in the OCCUPATIONAL Roadmap and determined what type of collegiate level credit is recommended. The ACE identifier, listed with each course, is a source to validate the information and to check for changes as they occur. Updates can be found at <http://www.militaryguides.acenet.edu>.

### Vocational Certificates

Vocational Certificates are available from most community colleges. Most of your military training can be counted toward their degree programs, but they will still require residency credits and approximately 40-75 credit hours. These certificates can be as valuable as the apprenticeship program in the civilian work force.

### College credits by Testing CLEP, DSST

Testing can replace the requirement to attend most of the college courses listed in the Occupational Roadmap. Base Education Centers offer CLEP and DSST exams for active duty military at no cost. They also offer a comprehensive list of "credit-by-exam" tests. Additionally, many of the tests have study guides available. These tests are available at the base education center or through the base library system.

DANTES (DSST) [http://www.dantes.doded.mil/DANTES\\_WEB/EXAMINATIONS/DSST.htm](http://www.dantes.doded.mil/DANTES_WEB/EXAMINATIONS/DSST.htm)

CLEP Exams <http://www.collegeboard.com/student/testing/clep/about.html>

## SAMPLE COLLEGE COURSE PLAN

Associate in Science

Florida Community College at Jacksonville ([http://www.fccj.org/prospective/programs/data07\\_08/2175.html](http://www.fccj.org/prospective/programs/data07_08/2175.html))

### Associate in Science in Telecommunications Engineering Technology (Converged Networks)

<u>General Education</u>		<u>Credits</u>
	Mathematics	3
	Social and Behavioral Sciences	3
ENC 1101	English Composition I	3
	Communications	3
	Humanities	3
<u>Required Professional Courses</u>		
CET 2687	Security+	3
CET 2626	Building Scalable Networks	3
CET 2627	Building Multilayer Switched Networks	3
CET 2628	Building Remote Access Networks	3
CET 2636	Home Integration	3
CET 2660	Managing Network Security	3
CET 2665	Advanced Firewall Administration	3
CET 2481	Designing and Building Wireless Networks	3
CET 2682	Voice over IP (VoIP)	3
CET 2623	Deploying Quality of Service	3
CET 2675	IP Telephony	3
CET 2676	Unified Messaging	3
CET 1943	Internship	3
<u>Professional Electives</u>		
LIS 1002	Information Literacy (Online)	1
CET 2662	Techniques of Computer Hacking and Incident Handling	3
CET 2880	Data Forensics I — Basic	3
CET 1630	Fiber, Voice and Data Cabling	3
<b>Total Credit Hours</b>		<b>64</b>

## SAMPLE COLLEGE COURSE PLAN

Bachelor of Science

Fort Hays State University (<http://www.fhsu.edu/int/telecomm/vccourserequirements.shtml>)

### Bachelor of Science in Information Networking and Telecommunications - Computer Networking and Telecommunications Concentration

<b><u>Information Networking and Telecommunications Major Core</u></b>	<b><u>Credits</u></b>
INT 300 Field of Information Networking: Foundations for Understanding	3
INT 250 Introduction to Web Development	3
POLS/INT 602 Public Policy, Ethics and Law in Information Networking	3
INT 430 Leadership in Information Networking	3
INT 405 Research Methods in Information Networking	3
INT 490 Capstone Seminar in Information Networking	3
<b><u>Concentration Requirements Computer Networking and Telecommunications</u></b>	
PHYS 230 Telecommunications Electronics	3
INT 291 Internetworking Certification I	3
INT 680 Network Architecture and Data Communications I	3
INT 681 Network Architecture and Data Communications II	3
INT 293 Internetworking II	3
<b><u>Cross Concentration Elective Media Studies</u></b>	
INT 140 Introduction to Electronic Media	3
<b><u>Cross Concentration Elective Web Development</u></b>	
INT 651 Advanced Web Development	3
<b>Required General Education Class: COMM 318 Communication in Human Organization</b>	<b>3</b>
<b><u>Telecommunications &amp; Networking Emphasis Options</u></b>	
INT 293 Internetworking II (CCNA Prep)	3
INT 685 Fundamentals of Network Security (MCNS, CSPFA)	3
INT 695 Advanced Routing (CCNP Prep 1)	3
INT 696 Advanced Remote Access (CCNP Prep 2)	3
INT 697 Advanced LAN Switching (CCNP Prep 3)	3
INT 698 Internetwork Troubleshooting (CCNP Prep 4)	3
<b><u>Totals:</u></b>	
General Education Requirements	55
Department/Major Requirements	54
Free Electives	15
<b>Total</b>	<b>124</b>

## SAMPLE COLLEGE COURSE PLAN

Master of Science

### **Boston University**

([http://www.bu.edu/online/online\\_programs/graduate\\_degree/master\\_management/project\\_management/courses.html](http://www.bu.edu/online/online_programs/graduate_degree/master_management/project_management/courses.html))

### **Master of Science in Project Management**

#### **Core Courses**

	<b><u>Credits</u></b>
AC 630 Financial and Managerial Accounting	4
FI 741 Financial Management	4
MG 610 Intro to Organizational Risk and Crisis Mang in Both Public and Private Enterprise	4
MG 650 International Business, Economics, and Cultures	4
MG 742 Data Analysis and Operations Management	4
MG 743 Managing Employees, Professionals, and Teams	4
MK 743 Marketing Management	4
TM 648 Introduction to Electronic Commerce, Systems, and Web Design	4

#### **Specialization Courses**

AD 642 Program and Project Management	4
AD 643 Project Leadership and Communications	4
AD 644 Project Risk and Cost Management	4
AD 645 International and Advanced Project Management	4

<b>Total</b>	<b>48</b>
--------------	-----------

## **REFERENCES**

### **Navy Enlisted Learning and Development Programs:**

- Learning and Development Roadmap for Enlisted Sailors, OPNAVINST 1500.77(series)
- Navy Retention and Career Development Program, OPNAVINST 1040.11(series)
- Career Counselor Handbook, NAVPERS 15878
- Command Sponsor and Indoctrination Program OPNAVINST 1740.3(series) (Sponsor assigned within 10 days of orders received / Indoctrination completed as soon as possible and practicable but NLT 90 days)
- Command Sponsorship of Dependents at Overseas Duty MILPERSMAN 1300-150 to 1300-210
- Guaranteed Assignment Retention Detailing Program GUARD 2000, MILPERSMAN 1306-1002/1004
- Navy Enlisted Warfare Qualification Program OPNAVINST 1414.9 (series)
- Master Training Specialists (MTS) NETCINST 1500.2(series)
- Command Master Chief Program OPNAVINST 1306.2 (series)

### **Reenlistments and Extensions:**

- Agreement of Enlisted Naval Reservist, Inductees and Fleet Reservists to remain on Active Duty MILPERSMAN 1160-060
- Career Reenlistment Objectives (use latest CREO NAVADMIN)
- Extension of Enlistment MILPERSMAN 1160-040
- Overseas Tour Extension Incentives Program (OTEIP) MILPERSMAN 1306-300
- Consecutive Overseas Tours (COT) Leave Travel Entitlement Policy MILPERSMAN 1050-410
- Perform to Serve (PTS) MILPERSMAN 1440-060
- Reenlistment Ceremony MILPERSMAN 1160-020
- Reenlistment Leave MILPERSMAN 1050-040
- Required Counseling upon Enlistment and Reenlistment MILPERSMAN 1160-031
- Selective Conversion and Reenlistment (SCORE) Program MILPERSMAN 1160-090
- Selective Reenlistment Bonus (Use Latest SRB NAVADMIN)
- Selective Training and Reenlistment (STAR) Program MILPERSMAN 1160-100
- School as a Reenlistment Incentive MILPERSMAN 1306-1006

### **Fleet Reserve and Retirements:**

- Casualties and Survivor Benefits (SBP) MILPERSMAN 1770 to 1770-250
- Disability Retirement MILPERSMAN 1850-020 to 1850-040
- Fleet Reserve and Retirement MILPERSMAN 1800-010 to 1800-070
- Household Goods and Personal Property (PCS and Retirees) MILPERSMAN 4050-010 to 020
- Permissive Temporary Duty (PTDY) MILPERSMAN 1320-220
- Transition Assistance Management Program OPNAVINST 1900.2(series) (Initiate a DD-2648-1 NLT 90 Days Prior to Separation and attend workshop 12 months prior to separation/Fleet Reserve/Retirement date)

### **Enlisted Administrative Separations:**

- Alcohol Rehabilitation Failure MILPERSMAN 1910-152
- Drug Abuse MILPERSMAN 1910-146
- Early release to further education MILPERSMAN 1910-108
- Enlisted Administrative Separation Policy MILPERSMAN 1910-010 to 1910-812
- Fraudulent Enlistment MILPERSMAN 1910-134
- High Year Tenure (HYT) AC MILPERSMAN 1160-120 / RC 1160-130
- Misconduct (various reasons) MILPERSMAN 1910-138/140/142
- Parenthood and Pregnancy SECNAVINST 1000.10(series) & MILPERSMAN 1910-124
- Personality Disorder MILPERSMAN 1910-122
- Physical Fitness Assessment Failure MILPERSMAN 1910-170
- Serious Offense MILPERSMAN 1910-142
- Unsatisfactory Performance MILPERSMAN 1910-156



**Advancement & Service Schools:**

- Advancement BUPERSINST 1430.16(series)
- Accelerated Advancement MILPERSMAN 1430-010
- Enlisted to Officer Commissioning Program Application & Administration Manual OPNAVINST 1420.1(series)
- Service Schools 1306-600/602/604/608
- Class “A” School & Rating Entry Requirements MILPERSMAN 1306-618
- Retesting with the Armed Forces Classification Test version of the Armed Services Vocational Aptitude Battery (ASVAB) MILPERSMAN 1236-010
- Professional Apprenticeship Tracks Program (PACT) NAVADMIN 318/07

**Education:**

- Joint Chiefs Professional Military Education (PME) Manual 1805.01
- Navy Voluntary Education Program (Navy Campus) OPNAVINST 1560.9(series)
- Tuition Assistance Management Controls NAVADMIN 161/07 / NETC LTR Execution Guidelines 1560 Ser N00178, Aug 07
- Navy Credentialing Program OPNAVINST 1540.56
- Uniformed Services Military Apprenticeship Programs OPNAVINST 1560.10(series)

**Other Quick References:**

- Change in Rank, Rate or Rating MILPERSMAN 14440-010 to 1440-050
- Drug and Alcohol Prevention Control Program OPNAVINST 5350.4(series)
- Exchange of Duty (SWAPS) MILPERSMAN 1306-700
- First Term Personnel Assignment Policy MILPERSMAN 1306-126
- Individual Augmentation (IA) Policy and Procedures OPNAVINST 1001.21(series)
- Military Couple and Single Parent Assignment Policy MILPERSMAN 1300-1000
- Military Pay MILPERSMAN 7220-010 to 7220-390
- Overseas tour Extensions MILPERSMAN 1300-310
- Physical Readiness Program OPNAVINST 6110.1(series) / MILPERSMAN 6100-6199
- Reassignment for Humanitarian reasons (HUMS) MILPERSMAN 1300-500
- Standard Policy and Procedures for the Active Duty for Special Work (ADSW) & 1 year Recall Program OPNAVINST 1001.20(series)
- Operational Risk Management OPNAVINST 3500..39(series)