

## NAVAL SHIPS' TECHNICAL MANUAL

# CHAPTER 075 FASTENERS

SUPERSEDES NSTM CHAPTER 075 REVISION 4, DATED 1 MAR 2006.

DISTRIBUTION STATEMENT A: APPROVED FOR PUBLIC RELEASE; DISTRIBUTION IS UNLIMITED.

PUBLISHED BY DIRECTION OF COMMANDER, NAVAL SEA SYSTEMS COMMAND.

---

**1 MAR 2008**



**REVISION RECORD**

<b>REVISION NO.</b>	<b>DATE</b>	<b>TITLE AND/OR BRIEF DESCRIPTION/PREPARING ACTIVITY</b>
5	1 MAR 2008	PARAGRAPH(S) 075-2.5.1.1.3, 075-3.2.2.1, 075-3.2.3, 075-3.4.3.3, 075-3.4.3.3.2 AND 075-3.4.3.3.3 <b>TMDERS INCORPORATED: NONE</b>



## TABLE OF CONTENTS

Chapter/Paragraph	Page
<b>075 FASTENERS</b> . . . . .	1-1
<b>SECTION 1 INTRODUCTION TO THREADED FASTENERS</b> . . . . .	1-1
075-1.1 SCOPE . . . . .	1-1
075-1.1.1 GENERAL. . . . .	1-1
075-1.1.2 REFERENCE DOCUMENTS. . . . .	1-1
075-1.2 GENERAL . . . . .	1-2
075-1.2.1 USING FASTENERS. . . . .	1-2
075-1.2.2 FASTENER MAINTENANCE PRACTICES. . . . .	1-3
075-1.2.3 HI-SHOCK. . . . .	1-3
075-1.2.4 INTRODUCTION TO FASTENER SPECIFICATIONS AND STANDARDS. . . . . .	1-4
075-1.2.4.1 Government Specifications and Standards. . . . .	1-4
075-1.2.4.1.1 Federal specifications and standards. . . . .	1-4
075-1.2.4.1.2 Military specifications and standards. . . . .	1-4
075-1.2.4.2 Non-Government Specifications and Standards. . . . .	1-5
075-1.2.5 GLOSSARY OF TERMS. . . . .	1-6
<b>SECTION 2 IDENTIFICATION OF FASTENERS</b> . . . . .	2-1
075-2.1 GENERAL . . . . .	2-1
075-2.2 FASTENER DIMENSIONING SYSTEMS . . . . .	2-1
075-2.2.1 INCH-BASED FASTENER DIMENSIONING SYSTEM. . . . .	2-1
075-2.2.1.1 Background. . . . .	2-1
075-2.2.1.2 Dimensional Specifications. . . . .	2-1
075-2.2.2 U.S. METRIC-BASED FASTENER DIMENSIONING SYSTEM. . . . .	2-2
075-2.2.2.1 Background. . . . .	2-2
075-2.2.2.2 Dimensional Specifications. . . . .	2-2
075-2.2.3 INTERNATIONAL METRIC-BASED FASTENER DIMENSIONING SYSTEM. . . . .	2-2
075-2.2.3.1 Background. . . . .	2-2
075-2.2.3.2 Dimensional Specifications. . . . .	2-3
075-2.3 FASTENER DESIGNATION . . . . .	2-3
075-2.3.2 INCH-BASED FASTENER DIMENSIONING SYSTEM FASTENER DESIGNATION - THREAD CLASS, FIT, SERIES, AND DESIGNATION . . . . .	2-3
075-2.3.2.1 Thread classes. . . . .	2-3
075-2.3.2.1.1 Class 1. . . . .	2-3
075-2.3.2.1.2 Class 2. . . . .	2-3
075-2.3.2.1.3 Class 3. . . . .	2-4
075-2.3.2.1.4 Class 5. . . . .	2-4
075-2.3.2.2 Thread fit. . . . .	2-4

## TABLE OF CONTENTS - Continued

Chapter/Paragraph		Page
	075-2.3.2.2.1 Class 1, 2, and 3 Fit. . . . .	2-4
	075-2.3.2.2.2 Class 5 Fit. . . . .	2-4
075-2.3.2.3	Thread series. . . . .	2-4
	075-2.3.2.3.1 UNC (Coarse Thread) Series. . . . .	2-5
	075-2.3.2.3.2 UNF (Fine Thread) Series. . . . .	2-5
	075-2.3.2.3.3 UN (Constant Pitch Thread) Series. . . . .	2-5
	075-2.3.2.3.4 UNJ Series. . . . .	2-5
	075-2.3.2.3.5 NC (National Coarse Thread) Series. . . . .	2-5
075-2.3.2.4	Thread designation. . . . .	2-5
075-2.3.2.5	Thread acceptability, gauging. . . . .	2-5
	075-2.3.2.5.1 Fastener Fit Requirements. . . . .	2-6
	075-2.3.2.5.2 Significant Thread Characteristics. . . . .	2-6
	075-2.3.2.5.3 Thread Gauging for Repair Actions. . . . .	2-6
075-2.3.2.6	Thread gauges. . . . .	2-6
075-2.3.3	U.S. AND INTERNATIONAL METRIC-BASED FASTENER DIMENSIONING SYSTEMS FASTENER DESIGNATION - THREAD CLASS, FIT, SERIES, AND DESIGNATION . . . . .	2-6
075-2.3.3.1	Thread classes. . . . .	2-6
075-2.3.3.2	Thread fit. . . . .	2-6
	075-2.3.3.2.1 Tolerance grade. . . . .	2-6
	075-2.3.3.2.2 Tolerance position. . . . .	2-7
	075-2.3.3.2.3 Commonly used tolerance classes. . . . .	2-7
	075-2.3.3.2.4 Commonly used tolerance class combinations. . . . . .	2-7
075-2.3.3.3	Thread series. . . . .	2-7
075-2.3.3.4	Thread designation. . . . .	2-7
075-2.3.3.5	Thread acceptability, gauging. . . . .	2-8
075-2.4	IDENTIFYING REPLACEMENT FASTENERS . . . . .	2-8
075-2.4.2	DRAWING IDENTIFICATION REQUIREMENTS. . . . .	2-9
075-2.4.3	IDENTIFYING FASTENERS ON APL'S. . . . .	2-9
075-2.4.4	IDENTIFYING FASTENERS AND FASTENER STANDARD PART NUMBERS WHEN SUPPORT DOCUMENTATION IS LACKING. . . .	2-10
075-2.5	CAPSCREWS AND INTERNAL WRENCHING BOLTS. . . . .	2-12
075-2.5.1	SOCKET-HEAD CAPSCREWS. . . . .	2-12
	075-2.5.1.1 Selecting Dimensional Standard . . . . .	2-12
	075-2.5.1.1.1 Replacement Steel Socket Head Capscrews. . .	2-12
	075-2.5.1.1.2 Replacement Cadmium-Plated Socket Head Capscrews. . . . .	2-12
	075-2.5.1.1.3 Replacement Black Oxide Coated Alloy Steel Socket Head Capscrews. . . . .	2-14
075-2.5.1.2	NAS 1351 and NAS 1352 Part Numbers. . . . .	2-14
075-2.5.1.3	Authorized Socket-Head Capscrew Substitutions. . . . .	2-17
075-2.5.1.4	Socket-Head Capscrew Substitution Requiring NAVSEA Approval. . . . .	2-17
075-2.5.1.5	Identification of Socket Head Capscrews. . . . .	2-17

## TABLE OF CONTENTS - Continued

Chapter/Paragraph	Page
075-2.5.2 INTERNAL WRENCHING BOLTS. . . . .	2-18
075-2.5.2.1 Distinguishing Internal Wrenching Bolts from Socket-Head Capscrews. . . . .	2-18
075-2.5.2.2 Identification Marking of Internal Wrenching Bolts. . . . .	2-18
075-2.5.2.3 Restrictions on Using Internal Wrenching Bolts. . . . .	2-18
075-2.5.3 HEXAGON-HEAD CAPSCREWS. . . . .	2-19
075-2.5.3.1 ASME B18.2.1 Part Numbering System. . . . .	2-19
075-2.5.3.2 Zinc and Cadmium Plated Hex Head Capscrews. . . . .	2-19
075-2.5.3.3 Restrictions on the Use of Grade 8, Zinc Plated Hex Head Capscrews. . . . .	2-21
075-2.6 WASHERS. . . . .	2-21
075-2.6.1 IDENTIFYING REPLACEMENT WASHERS. . . . .	2-21
075-2.6.2 COUNTERSUNK WASHERS (SINGLE SURFACE). . . . .	2-24
075-2.6.3 COUNTERSUNK WASHERS (TWO SURFACES). . . . .	2-25
075-2.6.4 LOCKWASHERS. . . . .	2-25
075-2.7 ZINC-PLATED STEEL NUTS AND WASHERS. . . . .	2-25
075-2.8 THREAD INSERTS. . . . .	2-26
075-2.8.2 PURPOSE OF THREAD INSERT. . . . .	2-26
075-2.8.3 TYPES OF THREAD INSERTS. . . . .	2-27
075-2.8.4 HELICAL-COIL THREAD INSERTS. . . . .	2-28
075-2.8.4.1 Selection of Insert. . . . .	2-29
075-2.8.4.2 Applicable Military Standards. . . . .	2-35
075-2.8.4.3 Removal of Insert. . . . .	2-35
075-2.8.4.4 Installation of Insert. . . . .	2-36
075-2.8.4.5 Removal of Insert Tang. . . . .	2-36
075-2.8.4.6 Gauging the Threads. . . . .	2-36
075-2.8.5 OVERSIZE HELICAL-COIL INSERTS. . . . .	2-36
075-2.8.6 TWINSERTS. . . . .	2-36
075-2.8.7 STUD-LOCK INSERTS. . . . .	2-37
075-2.8.8 PIPE THREAD INSERTS. . . . .	2-38
075-2.8.9 THIN WALL LOCKED-IN INSERTS. . . . .	2-38
075-2.8.9.1 Thin Wall Insert Part Numbers and Materials. . . . .	2-38
075-2.8.9.2 Thin Wall Insert Repair. . . . .	2-50
075-2.8.9.3 Installation of Insert. . . . .	2-50
075-2.8.9.4 Removal of Insert. . . . .	2-50
075-2.8.9.5 Oversize Thin Wall Inserts. . . . .	2-51
075-2.8.9.6 Thin Wall Insert Repair Kits. . . . .	2-51
075-2.8.10 RING-LOCKED INSERTS. . . . .	2-51
075-2.8.10.1 Lock-Ring. . . . .	2-52
075-2.8.10.2 High Strength Ring-Lock Inserts. . . . .	2-52
075-2.8.10.3 Repair Kits. . . . .	2-52
075-2.8.10.4 Pre-Installation. . . . .	2-52
075-2.8.10.5 Installation. . . . .	2-53
075-2.8.10.6 Removal and Replacement. . . . .	2-53

**TABLE OF CONTENTS - Continued**

Chapter/Paragraph	Page
075-2.8.11 KEY-LOCKED INSERTS. . . . .	2-55
075-2.9 NONSTANDARD FASTENER APPLICATIONS . . . . .	2-55
075-2.9.1 LEFT-HAND THREAD APPLICATIONS. . . . .	2-55
075-2.9.2 UNIFORM STRENGTH FASTENERS. . . . .	2-55
075-2.9.2.1 Bolt-Studs. . . . .	2-56
075-2.9.3 HOLES FOR UNIFORM STRENGTH FASTENERS. . . . .	2-56
075-2.9.4 MULTI-JACKBOLT TENSIONER (MJBT). . . . .	2-56
075-2.9.4.1 Description. . . . .	2-56
075-2.9.4.2 Benefits. . . . .	2-56
075-2.9.4.3 Tensioner Size . . . . .	2-56
075-2.9.4.4 Ordering. . . . .	2-57
075-2.9.4.5 Installation and Removal and Retorquing. . . . .	2-57
075-2.9.5 MECHANICALLY ADJUSTABLE CHOCKS (MACs). . . . .	2-59
075-2.9.5.1 DESCRIPTION. . . . .	2-59
075-2.9.5.2 CANDIDATE EQUIPMENT. . . . .	2-60
075-2.9.5.3 TECHNICAL EVALUATION PROCESS. . . . .	2-60
075-2.9.5.4 MAC SELECTION CRITERIA. . . . .	2-62
<b>SECTION 3 THREADED FASTENER MATERIALS AND MARKING . . . . .</b>	<b>3-1</b>
075-3.1 GENERAL . . . . .	3-1
075-3.2 MATERIAL REQUIREMENTS AND SPECIFICATIONS . . . . .	3-1
075-3.2.1 FASTENER REQUIREMENTS FOR MIC LEVEL I APPLICATIONS. . . . .	3-1
075-3.2.2 LEVEL I REQUIREMENTS FOR FASTENERS. . . . .	3-1
075-3.2.2.1 Procurement Specifications. . . . .	3-1
075-3.2.2.2 Fastener Identification and Control. . . . .	3-2
075-3.2.2.3 Color Coding. . . . .	3-2
075-3.2.3 FASTENER MATERIAL CHARACTERISTICS, IDENTIFICATION MARKINGS AND SUGGESTED USE. . . . .	3-3
075-3.2.3.1 Chemical and Physical Properties. . . . .	3-3
075-3.2.3.2 Material Identification Markings. . . . .	3-3
075-3.2.3.3 Material Identification Markings for Stainless Steel Fasteners. . . . .	3-4
075-3.2.3.4 Identifying Material When Fasteners Are Not Marked. . . . .	3-4
075-3.2.3.5 Manufacturer's Markings. . . . .	3-4
075-3.3 MIL-DTL-1222 FASTENERS. . . . .	3-4
075-3.3.1 BACKGROUND. . . . .	3-4
075-3.3.2 MIL-DTL-1222 FASTENER MATERIAL MARKING. . . . .	3-4
075-3.3.2.1 300 Series Stainless. . . . .	3-5
075-3.3.2.2 400 Series Stainless Steel. . . . .	3-5
075-3.3.2.3 Marking Locations. . . . .	3-5
075-3.3.3 AVAILABILITY . . . . .	3-6
075-3.3.3.1 Fastener Part Numbers. . . . .	3-6
075-3.3.3.2 Other Sources. . . . .	3-6



## TABLE OF CONTENTS - Continued

Chapter/Paragraph	Page
<b>SECTION 4 FASTENER TIGHTENING</b> . . . . .	4-1
075-4.1 GENERAL . . . . .	4-1
075-4.2 TIGHTENING SEQUENCE . . . . .	4-1
075-4.3 PRELOAD . . . . .	4-1
075-4.3.1 PRELOAD THEORY. . . . .	4-1
075-4.3.2 PURPOSE OF PRELOAD. . . . .	4-2
075-4.3.2.1 Preventing Loosening. . . . .	4-2
075-4.3.2.2 Improving Fastener Fatigue Life. . . . .	4-2
075-4.3.2.2.1 Influence of Cyclic Stresses. . . . .	4-2
075-4.3.2.2.2 Sources of Cyclic Stress. . . . .	4-2
075-4.3.2.2.3 Determining Design Torque. . . . .	4-3
075-4.3.2.2.4 Recommended Torque Values. . . . .	4-3
075-4.3.3 DETERMINING PROPER PRELOAD. . . . .	4-3
075-4.3.3.1 Determining Design Operating Loads. . . . .	4-4
075-4.3.3.2 Determining Torque Requirements. . . . .	4-4
075-4.4 RELAXATION . . . . .	4-4
075-4.4.1 GENERAL. . . . .	4-4
075-4.4.2 INITIAL RELAXATION. . . . .	4-4
075-4.4.3 TORSIONAL RELAXATION. . . . .	4-6
075-4.4.4 LONG TERM RELAXATION. . . . .	4-6
075-4.4.4.1 Stress Relaxation. . . . .	4-6
075-4.4.4.2 Vibration Relaxation. . . . .	4-7
075-4.5 METHODS OF ESTABLISHING PRELOAD . . . . .	4-7
075-4.5.1 TORQUE CONTROL. . . . .	4-7
075-4.5.1.1 Units of Measurement. . . . .	4-7
075-4.5.1.1.1 Metric Units, Newton-Meter. . . . .	4-7
075-4.5.1.1.2 Metric Units, Kilogram-Meter. . . . .	4-7
075-4.5.1.2 Determining Required Torque. . . . .	4-8
075-4.5.1.2.1 Prevailing Torque. . . . .	4-8
075-4.5.1.2.2 Torque vs. Preload Equation. . . . .	4-8
075-4.5.1.2.3 PC-Bolts Fastener Torque Computer Program. . . . .	4-9
075-4.5.1.3 Applying Torque to a Fastener. . . . .	4-9
075-4.5.1.4 Torque Wrenches. . . . .	4-9
075-4.5.1.5 Tightening Fasteners Using Torque Control. . . . .	4-9
075-4.5.1.6 Special Requirements for Spiral-Wound Gaskets. . . . .	4-10
075-4.5.1.7 Changes in Torque as Fastener Yields. . . . .	4-10
075-4.5.2 TURN-OF-NUT CONTROL. . . . .	4-10
075-4.5.2.1 The Basis of Turn Requirements. . . . .	4-11
075-4.5.2.2 Units of Measurement. . . . .	4-11
075-4.5.2.3 Tightening. . . . .	4-12
075-4.5.2.4 Where to Make the Measurements. . . . .	4-12
075-4.5.2.4.1 Capscrews. . . . .	4-12

## TABLE OF CONTENTS - Continued

Chapter/Paragraph	Page
075-4.5.2.4.2 Stud Bolts. . . . .	4-12
075-4.5.2.4.3 Studs. . . . .	4-12
075-4.5.2.5 Turning the Nut. . . . .	4-13
075-4.5.3 STRETCH CONTROL. . . . .	4-13
075-4.5.3.1 Determining Stretch Requirements. . . . .	4-13
075-4.5.3.2 Measuring the Stretch. . . . .	4-13
075-4.5.4 ULTRASONIC STRETCH OR STRESS CONTROL. . . . .	4-13
075-4.5.5 HYDRAULIC TENSIONING AND HEATING. . . . .	4-13
075-4.6 THREAD LUBRICANTS . . . . .	4-13
075-4.6.1 GENERAL. . . . .	4-13
075-4.6.2 THREAD LUBRICANT APPLICATION. . . . .	4-14
075-4.7 SPECIAL CASES . . . . .	4-18
075-4.7.1 Preloading Multi-Jackbolt Tensioners (MJBTs). . . . .	4-18
075-4.7.1.1 Before Tightening Preparations. . . . .	4-18
075-4.7.1.2 Tightening Sequence. . . . .	4-18
075-4.7.1.3 Removal Procedure. . . . .	4-18
075-4.7.1.3.1 Removal Procedure for Fasteners in Service at or Below 250°F. . . . .	4-18
075-4.7.1.3.2 Removal Procedure for Fasteners in Service Above 250°F. . . . .	4-19
<b>SECTION 5 THREADED FASTENER LOCKING . . . . .</b>	<b>5-1</b>
075-5.1 GENERAL . . . . .	5-1
075-5.1.1 THREADED FASTENER LOOSENING. . . . .	5-1
075-5.1.2 VIBRATION. . . . .	5-1
075-5.1.3 LOAD CYCLING. . . . .	5-1
075-5.2 PRELOAD METHOD . . . . .	5-1
075-5.3 PREVAILING TORQUE (SELF-LOCKING NUT) METHOD . . . . .	5-2
075-5.3.1 GENERAL. . . . .	5-2
075-5.3.2 REUSABLE SELF-LOCKING FASTENERS. . . . .	5-2
075-5.3.2.1 Plastic Ring and Insert Fasteners. . . . .	5-2
075-5.3.2.1.1 Plastic Ring and Insert Temperature Limits. . . . .	5-2
075-5.3.2.1.2 Reusing Plastic Ring and Insert Fasteners. . . . .	5-2
075-5.3.2.1.3 Plastic Ring Nuts. . . . .	5-2
075-5.3.2.1.4 Plastic Insert Bolts and Nuts. . . . .	5-3
075-5.3.2.2 Reusable Metal (Spring Beam) Self-Locking Nuts. . . . .	5-4
075-5.3.2.2.1 Metal Self-Locking Nut Temperature Limits. . . . .	5-4
075-5.3.2.2.2 Reusing Metal Self-Locking Fasteners. . . . .	5-5
075-5.3.3 NONREUSABLE SELF-LOCKING FASTENERS. . . . .	5-5
075-5.3.3.1 Distorted Collar Nuts. . . . .	5-5
075-5.3.3.2 Distorted Thread Nuts. . . . .	5-6
075-5.3.4 JAM NUTS (LOCK NUTS). . . . .	5-6

## TABLE OF CONTENTS - Continued

Chapter/Paragraph	Page
075-5.3.4.1 Jam Nut Assembly. . . . .	5-6
075-5.3.4.2 Tightening the Jam Nut. . . . .	5-6
075-5.3.5 SETSCREWS. . . . .	5-6
075-5.4 MECHANICAL METHOD . . . . .	5-7
075-5.4.1 GENERAL. . . . .	5-7
075-5.4.2 PINS. . . . .	5-7
075-5.4.2.1 Cotter Pins. . . . .	5-7
075-5.4.2.1.1 Installing Cotter Pins. . . . .	5-8
075-5.4.2.1.2 Installation Problems. . . . .	5-8
075-5.4.2.2 Driven Pins. . . . .	5-8
075-5.4.2.2.1 Drive Pin Through Nut and Bolt. . . . .	5-8
075-5.4.2.2.2 Drive Pin Through Bolt Only. . . . .	5-9
075-5.4.2.3 Use of Hardened Drive Pins. . . . .	5-9
075-5.4.2.3.1 Installing Roll-Pins and Spiral-Pins. . . . .	5-9
075-5.4.2.4 Installing Straight Pins. . . . .	5-9
075-5.4.2.5 Installing Taper Pins. . . . .	5-9
075-5.4.2.6 Aligning Holes for Pins. . . . .	5-9
075-5.4.2.7 Substitutions for Pin-Type Locking Devices. . . . .	5-10
075-5.4.3 TAB LOCKS. . . . .	5-10
075-5.4.3.1 Installing Tab Locks. . . . .	5-10
075-5.4.3.2 Tab Bend Radius. . . . .	5-10
075-5.4.4 STAKING AND PEENING. . . . .	5-10
075-5.4.4.1 Staking. . . . .	5-10
075-5.4.4.2 Peening. . . . .	5-10
075-5.5 SAFETY WIRE METHOD . . . . .	5-11
075-5.5.1 GENERAL. . . . .	5-11
075-5.5.1.1 Lockwire. . . . .	5-11
075-5.5.1.2 Safety Cable. . . . .	5-11
075-5.5.2 REWIRING. . . . .	5-11
075-5.5.3 TIGHTENING SAFETY WIRED FASTENERS. . . . .	5-11
075-5.5.4 SAFETY WIRE INSTALLATION. . . . .	5-12
075-5.5.4.1 Lockwire Installation. . . . .	5-12
075-5.5.4.2 Safety Cable Installation. . . . .	5-12
075-5.6 LOCKWASHER METHOD . . . . .	5-25
075-5.6.1 GENERAL. . . . .	5-25
075-5.6.2 HELICAL SPRING LOCKWASHERS. . . . .	5-26
075-5.6.3 CURVED OR CONICAL SPRING LOCKWASHERS. . . . .	5-26
075-5.6.4 TOOTHED LOCKWASHERS. . . . .	5-26
075-5.6.4.1 Internal Tooth Lockwashers. . . . .	5-26
075-5.6.4.2 External Tooth Lockwashers. . . . .	5-26
075-5.6.4.3 Internal-External Tooth Lockwashers. . . . .	5-27
075-5.6.5 PART NUMBERS. . . . .	5-27
075-5.7 CHEMICAL METHOD . . . . .	5-27

## TABLE OF CONTENTS - Continued

Chapter/Paragraph	Page
075-5.7.1 GENERAL. . . . .	5-27
075-5.7.2 ANAEROBIC THREADLOCKING COMPOUND. . . . .	5-27
075-5.7.2.1 Material Compatibility. . . . .	5-27
075-5.7.2.2 Cleaning and Surface Activation Requirements. . . . .	5-28
075-5.7.2.3 Anaerobic Compound Cure Time. . . . .	5-28
075-5.7.2.4 Fastener Material Curing Characteristics. . . . .	5-28
075-5.7.2.5 Primers (Activators). . . . .	5-28
075-5.7.2.6 Assembly Time Requirements. . . . .	5-29
075-5.7.2.7 Using Heat to Cure. . . . .	5-29
075-5.7.2.8 Tightening Chemically Locked Fasteners. . . . .	5-29
075-5.7.2.9 Tightening of Studs Set with Chemicals. . . . .	5-30
075-5.7.2.10 Threadlocking Compound Selection. . . . .	5-30
075-5.7.2.10.1 Standard Anaerobic Threadlocking Compounds. . . . .	5-31
075-5.7.2.10.2 Fastener Type. . . . .	5-31
075-5.7.2.10.3 Fastener Material. . . . .	5-31
075-5.7.2.10.4 Service Temperature. . . . .	5-32
075-5.7.2.10.5 Locking Torque Strength. . . . .	5-32
075-5.7.2.10.6 Gap Size (Class of Thread Fit). . . . .	5-32
075-5.7.2.10.7 Inspection of Studs Set with Anaerobic Compounds. . . . .	5-32
<b>SECTION 6 THREADED FASTENER REMOVAL . . . . .</b>	<b>6-1</b>
075-6.1 GENERAL . . . . .	6-1
075-6.1.1 CONTROL. . . . .	6-1
075-6.1.2 LEFT-HAND THREADS. . . . .	6-1
075-6.1.3 AVOIDING PROBLEMS. . . . .	6-1
075-6.1.3.1 Plan Your Job. . . . .	6-1
075-6.1.3.2 Think Safety. . . . .	6-1
075-6.1.3.3 Stubborn or Damaged Fasteners. . . . .	6-2
075-6.1.4 NORMAL REMOVAL. . . . .	6-2
075-6.1.5 REMOVAL OF CHEMICALLY LOCKED FASTENERS. . . . .	6-2
075-6.1.5.1 Using Torque to Loosen. . . . .	6-2
075-6.1.5.2 Using Heat and Torque to Loosen. . . . .	6-3
075-6.1.5.3 Using Chemicals and Torque to Loosen. . . . .	6-3
075-6.1.5.4 Nonanaerobic Locking Compounds. . . . .	6-3
<b>SECTION 7 INSTALLATION OF THREADED FASTENERS . . . . .</b>	<b>7-1</b>
075-7.1 GENERAL . . . . .	7-1
075-7.2 FASTENER SELECTION PROCEDURE . . . . .	7-1
075-7.3 FIVE BASIC SITUATIONS . . . . .	7-1
075-7.3.1 GENERAL. . . . .	7-1
075-7.3.2 NEW EQUIPMENT. . . . .	7-2

## TABLE OF CONTENTS - Continued

Chapter/Paragraph	Page	
075-7.3.3	DAMAGED FASTENERS. . . . .	7-2
075-7.3.4	UNREPAIRABLE FASTENERS. . . . .	7-2
075-7.3.5	UNIDENTIFIABLE FASTENERS. . . . .	7-2
075-7.3.6	USE OF TEMPORARY FASTENERS. . . . .	7-2
075-7.4	SELECTION OF PROPER THREADED FASTENER SYSTEMS . . . . .	7-2
075-7.4.1	THREADED FASTENER SYSTEM. . . . .	7-2
075-7.4.2	TECHNICAL MANUALS AND SYSTEM DRAWINGS. . . . .	7-3
075-7.4.3	UNAVAILABILITY OF TECHNICAL MANUALS. . . . .	7-3
075-7.5	LENGTH OF THREAD PROTRUSION . . . . .	7-3
075-7.5.1	MINIMUM THREAD PROTRUSION. . . . .	7-3
075-7.5.2	MAXIMUM THREAD PROTRUSION. . . . .	7-3
075-7.6	DEPTH OF ENGAGEMENT FOR STUDS AND CAPSCREWS . . . . .	7-4
075-7.6.1	DETERMINING REQUIRED DEPTH OF ENGAGEMENT. . . . .	7-4
075-7.7	SQUARENESS OF SPOTFACE WITH HOLE . . . . .	7-4
075-7.7.1	FASTENER-BENDING LOADS. . . . .	7-4
075-7.7.2	EFFECT OF BEARING SURFACE ON TORQUE LOAD. . . . .	7-4
075-7.8	HEX-HEAD BOLTS AND CAPSCREWS . . . . .	7-5
075-7.8.1	DIFFERENCES BETWEEN HEX-HEAD BOLTS AND CAPSCREWS. . . . .	7-5
075-7.8.2	TYPES OF BOLTS. . . . .	7-5
075-7.8.3	THROUGH BOLTS. . . . .	7-5
075-7.8.4	CAPSCREWS IN THREADED HOLES. . . . .	7-6
075-7.8.4.1	Selecting Proper Screw Length. . . . .	7-6
075-7.8.4.2	Preventing Damage to Tapped Threads. . . . .	7-6
075-7.8.4.3	Cleaning the Tapped Hole. . . . .	7-6
075-7.8.4.4	Use of Thread Locking, Lubricating, and Antiseize Compounds. . . . . .	7-6
075-7.9	FITTED BOLTS . . . . .	7-7
075-7.9.1	WHY AND WHERE THEY ARE USED. . . . .	7-7
075-7.9.2	HOLE PREPARATION. . . . .	7-8
075-7.9.3	FITTED BOLT PREPARATION. . . . .	7-8
075-7.9.4	ALTERNATE FIT UP PROCEDURE. . . . .	7-8
075-7.10	BOLT-STUDS . . . . .	7-8
075-7.10.1	WHY AND WHERE THEY ARE USED. . . . .	7-8
075-7.10.2	TYPES OF BOLT-STUDS. . . . .	7-8
075-7.10.3	TIGHTENING. . . . .	7-8
075-7.11	STUDS . . . . .	7-10
075-7.11.1	WHY AND WHERE THEY ARE USED. . . . .	7-10
075-7.11.2	TYPES OF STUDS. . . . .	7-10
075-7.11.3	SETTING STUDS. . . . .	7-10

## TABLE OF CONTENTS - Continued

Chapter/Paragraph	Page
075-7.11.3.1 Class 5 Fit. . . . .	7-10
075-7.11.3.2 Nonstandard Class 5 Fit Threads. . . . .	7-11
075-7.12 USE OF FLAT WASHERS . . . . .	7-11
075-7.12.1 GENERAL. . . . .	7-11
075-7.12.2 WASHERS FOR EQUIPMENT WITH SLIDING FOOT FASTENERS. . . .	7-11
075-7.13 INTERCHANGEABILITY OF NUTS . . . . .	7-11
075-7.13.1 GENERAL. . . . .	7-11
075-7.13.2 STANDARDS FOR PLAIN HEXAGON NUTS WITH THE SAME PART NUMBER FOR DOUBLE CHAMFERED AND WASHER FACED CONFIGURATIONS. . . . .	7-11
<b>SECTION 8 THREADED FASTENER INSPECTION AND REPAIR . . . . .</b>	<b>8-1</b>
075-8.1 GENERAL . . . . .	8-1
075-8.2 INSPECTION OF INSTALLED THREADED FASTENERS AND JOINTS . . . . .	8-1
075-8.2.1 GENERAL INSPECTION. . . . .	8-1
075-8.2.2 RUST AND CORROSION. . . . .	8-3
075-8.2.3 THREAD PROTRUSION. . . . .	8-3
075-8.2.4 TAB WASHERS. . . . .	8-3
075-8.2.5 CHECKING PRELOAD. . . . .	8-3
075-8.3 VISUAL EXAMINATION OF FASTENERS PRIOR TO INSTALLATION . . . . .	8-3
075-8.3.1 INSPECTING FOR PROPER APPLICATION TYPE. . . . .	8-3
075-8.3.2 HEAD DAMAGE. . . . .	8-3
075-8.3.3 RUST OR CORROSION DAMAGE. . . . .	8-3
075-8.3.4 OVERTIGHTENED (YIELDED) FASTENERS. . . . .	8-4
075-8.3.5 THREAD FLATTENING. . . . .	8-4
075-8.3.6 SELF-LOCKING ELEMENTS. . . . .	8-4
075-8.4 ADDITIONAL EXAMINATIONS . . . . .	8-4
075-8.4.1 GALLING. . . . .	8-4
075-8.4.2 CHECKING SELF-LOCKING NUTS. . . . .	8-4
075-8.5 THREAD REPAIR . . . . .	8-4
075-8.5.1 GENERAL. . . . .	8-4
075-8.5.2 THREAD REWORK. . . . .	8-5
075-8.5.3 THREAD FILING. . . . .	8-5
075-8.5.4 THREAD LAPPING. . . . .	8-5
075-8.6 REWORKING OF THREADED FASTENER JOINTS . . . . .	8-5
075-8.6.1 FASTENER REMOVAL. . . . .	8-5
075-8.6.2 SUBMARINE FASTENER APPLICATIONS. . . . .	8-5
075-8.6.3 REWORK/REPLACEMENT OF CLASS 5 INTERFERENCE FIT THREADS. . . . .	8-5

**TABLE OF CONTENTS - Continued**

Chapter/Paragraph	Page
075-8.6.3.1 Replacements Using Anaerobic Compounds. . . . .	8-5
075-8.6.3.2 Replacement Interference Fit Studs. . . . .	8-6
075-8.6.4 REMOVAL AND REUSE OF ASSEMBLED STUDS. . . . .	8-7
075-8.6.5 STEPPED STUDS. . . . .	8-7
<b>SECTION 9 REMOVING DAMAGED OR STUBBORN THREADED FASTENERS . . . . .</b>	<b>9-1</b>
075-9.1 GENERAL . . . . .	9-1
075-9.2 PREVENTING PROBLEMS . . . . .	9-1
075-9.3 NORMAL REMOVAL . . . . .	9-1
075-9.4 ROUNDED-OFF NUT AND HEAD CORNERS . . . . .	9-1
075-9.4.1 GENERAL. . . . .	9-1
075-9.4.2 NUTS INSTALLED ON THROUGH BOLTS AND BOLT-STUDS. . . . .	9-1
075-9.4.3 NUTS ON STUDS. . . . .	9-1
075-9.4.4 CAPSCREWS. . . . .	9-2
075-9.5 SEIZED THREADS . . . . .	9-3
075-9.6 BROKEN STUDS AND CAPSCREWS . . . . .	9-3
075-9.6.1 GENERAL. . . . .	9-3
075-9.6.2 NONLOCKED STUDS. . . . .	9-3
075-9.6.2.1 Drilling an Axial Hole in a Stud. . . . .	9-3
075-9.6.2.2 Using Ezy-outs. . . . .	9-5
075-9.6.2.3 Drilling Out the Stud. . . . .	9-5
075-9.6.2.4 Using EDM Equipment. . . . .	9-5
075-9.6.2.5 Power Driven Broken Bolt Extractor (NSN 5130-01-387-7451). . . . .	9-5
075-9.6.3 CLASS 5 FIT AND LOCKED STUDS. . . . .	9-5
<b>A Technical Manual Deficiency/Evaluation Report (TMDER) . . . . .</b>	<b>7-12</b>

## LIST OF TABLES

Table	Title	Page
075-1-1.	COMPANION INDUSTRY STANDARDS . . . . .	1-3
075-1-2.	GLOSSARY OF TERMS . . . . .	1-6
075-2-1.	AUTHORIZED MATERIAL SUBSTITUTIONS FOR FASTENERS . . . . .	2-8
075-2-2.	INTERNAL WRENCHING BOLTS/SOCKET-HEAD CAPSCREWS, SELF-LOCKING OR DRILLED FOR SAFETY WIRING . . . . .	2-13
075-2-3.	NAS 1351 AND NAS 1352 PART NUMBERING SYSTEMS . . . . .	2-16
075-2-4.	SOCKET HEAD CAPSCREW MATERIAL IDENTIFICATION . . . . .	2-18
075-2-5.	ASME B18.2.1 Part Numbering System Example . . . . .	2-20
075-2-6.	FF-S-85 HEXAGON-HEAD CAPSCREWS . . . . .	2-22
075-2-7.	PART NUMBERS FOR COMMONLY USED ROUND WASHERS . . . . .	2-22
075-2-8.	NAS 1149 PART NUMBERING SYSTEM FOR ROUND WASHERS . . . . .	2-24
075-2-9.	ZINC-PLATED STEEL NUTS . . . . .	2-25
075-2-10.	ZINC-PLATED STEEL WASHERS . . . . .	2-26
075-2-11.	NATIONAL STOCK NUMBER LISTING MODULAR FIELD SERVICE THREAD REPAIR PACKS . . . . .	2-30
075-2-12.	PART NUMBERS FOR HELICAL - COIL INSERTS - FREE RUNNING, COARSE THREAD (1-1/2 AND 2 DIAMETER LENGTHS) . . . . .	2-30
075-2-13.	PART NUMBERS FOR HELICAL - COIL INSERTS - FREE RUNNING, FINE THREAD (1-1/2 AND 2 DIAMETER LENGTHS) . . . . .	2-31
075-2-14.	PART NUMBERS FOR HELICAL - COIL INSERTS - SCREW LOCKING, COARSE THREAD (1-1/2 AND 2 DIAMETER LENGTHS) . . . . .	2-32
075-2-15.	PART NUMBERS FOR HELICAL - COIL INSERTS - SCREW LOCKING, FINE THREAD (1-1/2 AND 2 DIAMETER LENGTHS) . . . . .	2-34
075-2-16.	THIN WALL INSERTS, REPAIR KITS, AND NSN'S (THREAD LOCKING, 1-1/2 NOMINAL DIAMETER LENGTH, UNC AND UNF) . . . . .	2-40
075-2-17.	OVERSIZE THIN WALL INSERTS, REPAIR KITS, AND NSN'S (THREAD LOCKING, 1-1/2 NOMINAL DIAMETER LENGTH, UNC AND UNF) . . . . .	2-40
075-2-18.	THIN WALL INSERT PART NUMBERS AND MATERIALS . . . . .	2-42
075-2-19.	THIN WALL INSERT REPAIR . . . . .	2-46
075-2-20.	OVERSIZE THIN WALL INSERTS . . . . .	2-48
075-2-21.	INSTALLATION REPLACEMENT CRITERIA . . . . .	2-54

**LIST OF TABLES - Continued**

Table	Title	Page
075-2-22.	APPROVED MJBTS FROM SUPERBOLT, FOR UNRESTRICTED USE WITHIN THEIR ALLOWED TEMPERATURE RANGE. . . . .	2-57
075-2-23	MAC Candidate Equipment Evaluation. . . . .	2-61
075-2-24	Dimensional Evaluation. . . . .	2-62
075-2-25	Materials . . . . .	2-63
075-2-26	Vibracon© Adjustable Chock – Standard Configurations, Grade A/B Shock Applications, METRIC . . . . .	2-64
075-2-27	Vibracon© Adjustable Chock – Standard Configurations, Grade A/B Shock Applications, ENGLISH . . . . .	2-65
075-2-28	Vibracon® Adjustable Chock – Low Profile Configurations, Grade A/B Shock Applications, METRIC . . . . .	2-66
075-2-29	Vibracon© Adjustable Chock – Low Profile Configurations, Grade A/B Shock Applications, ENGLISH . . . . .	2-67
075-2-30	Vibracon© Adjustable Chock – Standard Configurations, Non-Shock Applications, METRIC . . . . .	2-68
075.2.31	Vibracon© Adjustable Chock – Standard Configurations, Non-Shock Applications, ENGLISH . . . . .	2-69
075-2-32	Vibracon© Adjustable Chock – Low Profile Configurations, Non-Shock Applications, METRIC . . . . .	2-70
075-2-33	Vibracon© Adjustable Chock – Low Profile Configurations, Non-Shock Applications, ENGLISH . . . . .	2-71
075-3-1.	FASTENER MATERIAL CHARACTERISTICS (CHEMICAL AND PHYSICAL), IDENTIFICATION MARKINGS AND SUGGESTED USE . . . . .	3-7
075-3-2.	ASTM F 593 STAINLESS STEEL BOLTS, SCREWS AND STUDS . . . . .	3-30
075-3-3.	STRENGTH AND IDENTIFICATION MARKINGS FOR 400 SERIES STAINLESS STEEL FASTENERS . . . . .	3-31
075-3-4.	SOURCES FOR MIL-S-1222 FASTENER PART NUMBERS . . . . .	3-32
075-3-5.	REPLACEMENTS FOR BLACK OXIDE COATED BRASS THREADED FASTENERS (BRASS HEXAGON NUTS) . . . . .	3-35
075-3-6.	ALTERNATIVES TO METALLIC CERAMIC COATED FASTENERS . . . . .	3-38
075-3-7.	INQUIRY AND TECHNICAL RESPONSE RECORD . . . . .	3-39
075-3-8.	METRIC FASTENER MATERIAL CHARACTERISTICS (CHEMICAL AND PHYSICAL), IDENTIFICATION MARKINGS AND SUGGESTED USE . . . . .	3-41

**LIST OF TABLES - Continued**

Table	Title	Page
075-3-9.	SAE J2295 PART NUMBERING SYSTEM FOR BOLTS AND CAPSCREWS . . .	3-45
075-3-10.	SAE J2295 PART NUMBERING SYSTEM FOR NUTS . . . . .	3-46
075-3-11.	SAE J2271 AND J2271M PART NUMBERING SYSTEM FOR STUDS . . . . .	3-47
075-3-12.	NSWCCD POINTS OF CONTACT . . . . .	3-48
075-3-13.	FEDERAL SUPPLY CODES FOR THREADED FASTENERS . . . . .	3-48
075-4-1.	MAXIMUM RECOMMENDED TORQUE VALUES * . . . . .	4-4
075-4-2.	TORQUE LIMITS FOR FASTENERS SCREWED INTO LOW SHEAR STRENGTH MATERIAL . . . . .	4-6
075-4-3.	THREAD LUBRICANTS . . . . .	4-15
075-4-4.	THREAD LUBRICANT NATIONAL STOCK NUMBERS . . . . .	4-17
075-5-1.	PLASTIC RING AND INSERT FASTENER BREAKAWAY TORQUE . . . . .	5-3
075-5-2.	LOCKWASHER STANDARDS . . . . .	5-28
075-5-3.	LISTING OF ANAEROBIC COMPOUNDS TO MIL-S-46163 . . . . .	5-30
075-5-4.	COMMON ACTIVE AND INACTIVE SURFACES . . . . .	5-30
075-5-5.	LISTING OF PRIMERS (ACTIVATORS) TO MIL-S-22473 . . . . .	5-30
075-5-6.	PROOF TORQUE VALUES FOR FASTENERS INSTALLED WITH ANAEROBIC COMPOUND . . . . .	5-33
075-7-1.	REQUIRED DEPTH OF ENGAGEMENT FOR TAPPED HOLES . . . . .	7-5

## LIST OF ILLUSTRATIONS

Figure	Title	Page
075-2-1.	Helical Coil Inserts . . . . .	2-27
075-2-2.	Typical Thin Wall Inserts . . . . .	2-28
075-2-3.	Typical Helical Coil Insert Repair Tools . . . . .	2-29
075-2-4.	Heli-Coil Twinsert Assembly . . . . .	2-37
075-2-5.	Twinsert Assembly Top Thread . . . . .	2-37
075-2-6.	Assembled Stud-Lock Insert and Stud . . . . .	2-38
075-2-7.	Typical Thin Wall Insert Repair Kit Tools . . . . .	2-39
075-2-8	Insert Screw Thread . . . . .	2-41
075-2-9	Gauging . . . . .	2-50
075-2-10	Removal of a Thin Wall Insert . . . . .	2-51
075-2-11	Basic Ring-Locked Insert . . . . .	2-52
075-2-12	Lock-Ring . . . . .	2-52
075-2-13	Ring Locking Principle . . . . .	2-52
075-2-14	Key Locked Insert (Typical) . . . . .	2-55
075-2-15	Thin Wall Insert . . . . .	2-55
075-2-16.	Uniform Strength Fasteners. . . . .	2-58
075-2-17.	Multi-Jackbolt Tensioner (MJBT) Nut Body. . . . .	2-59
075-2-18	Vibracon Adjustable Chock Installed. . . . .	2-60
075-2-19	MAC Candidate Equipment Evaluation. . . . .	2-61
075-2-20	MAC Dimensional Evaluation . . . . .	2-62
075-4-1.	Tightening Sequence. . . . .	4-2
075-4-2.	Measuring the Stretch. . . . .	4-15
075-4-3.	Multi-Jackbolt Tensioner Jackbolt Tightening Sequences, 14 or Fewer Jackbolts . . .	4-20
075-4-4.	Multi-Jackbolt Tensioner Jackbolt Tightening Sequences, 22 or More Jackbolts . . .	4-21
075-5-1.	Plastic Ring Nuts. . . . .	5-4
075-5-2.	Types of Self-Locking Bolts. . . . .	5-5

## LIST OF ILLUSTRATIONS - Continued

Figure	Title	Page
075-5-3.	Spring Beam Nut. . . . .	5-5
075-5-4.	Distorted Collar Nuts. . . . .	5-6
075-5-5.	Jam Nut Assembly. . . . .	5-6
075-5-6.	Setscrews. . . . .	5-7
075-5-7.	Cotter Pin . . . . .	5-8
075-5-8.	Types of Drive Pins . . . . .	5-9
075-5-9.	Tab Locks. . . . .	5-10
075-5-10.	Lock Wiring Examples . . . . .	5-12
075-5-11.	Safety Cable System Components . . . . .	5-14
075-5-12.	Crimping Tool Verification Equipment . . . . .	5-15
075-5-13.	Safety Cable Procedure (Sheet 1 of 2) . . . . .	5-17
075-5-13.	Safety Cable Procedure (Sheet 2 of 2) . . . . .	5-18
075-5-14.	Safety Cable Patterns (Sheet 1 of 2) . . . . .	5-22
075-5-14.	Safety Cable Patterns (Sheet 2 of 2) . . . . .	5-23
075-5-15.	Safety Cable Installation Dimensions . . . . .	5-25
075-5-16.	Helical Spring Lockwasher . . . . .	5-26
075-5-17.	Curved or Conical Lockwasher . . . . .	5-26
075-5-18.	Toothed Lockwashers . . . . .	5-27
075-7-1.	Types of Bolts . . . . .	7-7
075-7-2.	Types of Bolt-Studs . . . . .	7-9
075-7-3.	Nut Configurations . . . . .	7-12
075-8.1.	Fastener Replacement Decision Tree. . . . .	8-2
075-9-1.	Broken Stud Drill Guide Removal Device . . . . .	9-4
075-9-2.	Broken Bolt Extractor. . . . .	9-6



## CHAPTER 075

### FASTENERS

#### SECTION 1

#### INTRODUCTION TO THREADED FASTENERS

##### 075-1.1 SCOPE

075-1.1.1 GENERAL. This chapter primarily covers the use and installation of threaded fasteners to repair and maintain shipboard equipment. It does not cover use or installation for many types of nonthreaded mechanical fasteners (such as rivets, bands, lock rings, and clamps). Nor does it cover threaded fastener design and selection for specific applications, although this chapter does provide references to design and selection procedures. Where available, guidance on threaded fastener selection, lubricants and locking methods shall be found in applicable parts lists, drawings or technical manuals. When specific information is unavailable or when emergency repairs are required, the guidance in this manual may be used.

075-1.1.1.1 Unless otherwise stated, all threaded fasteners discussed in this document have right-handed threads; that is, they tighten (advance) when turned to the right (clockwise).

075-1.1.1.2 This manual covers the following topics, as well as many others:

- a. How to identify fasteners by their markings, and by thread class, fit, series, and designation.
- b. How to distinguish between different types of similar fasteners.
- c. How to properly use thread inserts.
- d. What are the correct thread lubricants and how are they used.
- e. What are the fastener tightening requirements and what are the recommended fastener tightening torque limits. This manual also includes guidelines for calculating fastener torque requirements when they are unavailable.
- f. How to lock fasteners, including how to use self-locking fasteners and how to apply chemical thread-locking compounds.
- g. How to select a suitable fastener system when the equipment specifications or the original fasteners or both are unavailable.
- h. How to inspect installed fasteners, and how to inspect removed fasteners to see if they are suitable for re-installing.
- i. How to repair damaged fasteners.
- j. How to remove stubborn or damaged fasteners.
- k. Differences between inch-based and metric-based fasteners.

075-1.1.2 REFERENCE DOCUMENTS. The following documents will assist in developing Controlled Work Packages, and provide a direct reference to the chemical and physical properties of fasteners as well as their specific manufacturing requirements:

- a. NAVSEA 0948-045-7010, **Material Control Standard (Non-Nuclear) Volume 1 and Volume 2.**
- b. NAVSEA 0948-LP-103-6010, **Catalog of Level I/Subsafe Components.**
- c. NAVSEA S9085-AM-GYD-010, **Submarine Fastening Criteria (Non-Nuclear).** This manual contains additional information on design and maintenance techniques associated with submarine fasteners in pressure vessels and piping. Although not developed for surface ships, it contains helpful technical data useful for all ship classes.
- d. FED-STD-H28, **Screw Thread Standards for Federal Services.**

#### NOTE

(As part of government specification reform efforts, this standard is no longer preferred for design. Many of the FED-STD-H28 slash sheets have equivalent ASME/ANSI (American Society of Mechanical Engineers/American National Standards Institute) documents that are preferred. Companion industry standards to FED-STD-H28 are listed in Table 075-1-1.)

### 075-1.2 GENERAL

075-1.2.1 USING FASTENERS. At first glance nuts and bolts may appear to be simple devices. It is true that they are not complex mechanisms. If you consider the jobs they are required to do, however, they are very sophisticated devices, especially when you realize that a single 1/4-inch, SAE Grade 8 bolt and nut can hold up a full-size car (if the fixture through which the bolt passes also can support the required load). A 1/4-20 UNC 3A, SAE Grade 8 bolt has a tensile stress area of 0.0318 square inch with a proof load capacity of 120,000 pounds per square inch. This gives the bolt an axial load capacity of 3,816 pounds, the approximate weight of a car.

075-1.2.1.1 The point of all this is that the 1/4-inch bolt will hold up the car only if the proper thread class and material grade are selected and the bolt is installed properly. For example:

- a. The material strength and thickness of the nut has to be able to develop the full strength of the bolt.
- b. The nut has to be screwed on the bolt so that all the threads in the nut are fully engaged. If the bolt is screwed into a tapped hole, instead of using a nut, the hole should be tapped deep enough to develop the full strength of the bolt.
- c. The bolt holes in the fixture that is bolted to the car have to be the proper size and drilled square with the nut and bolt bearing surfaces to prevent putting a bending load on the bolt head.
- d. If you expect to hold up the car for any length of time, you have to select a fastener with the proper coating to prevent corrosion.
- e. Grade 8 bolts are sensitive to hydrogen, which causes hydrogen embrittlement. You have to be careful, therefore, about what corrosion protection coating you use in what environment: in certain environments some coatings will release atomic hydrogen into the fastener.
- f. A Grade 8 bolt gets a significant part of its strength from heat treating. If you try to weld it to something, the bolt may be weakened and fail.

- g. If you expect to pick up the car very often, you will be unable to loosen the bolt and retighten it each time, and you will have to design the bolt fixture so that the bolt can be properly preloaded to protect it from fatigue failure.
- h. Additionally, you should always add a safety factor to the calculated design stress to ensure that the fastener will not fail in service.

Of course, no one would use a 1/4-inch bolt and nut to pick up a car. This example just shows you the things to consider when you select a fastener to do a job. This manual is designed to make you, the user, aware of some of these considerations and the pitfalls or consequences of choosing the wrong fastener.

**Table 075-1-1. COMPANION INDUSTRY STANDARDS**

Area Covered	FED-STD-H28 Document No.	ASME/ANSI Companion Standard
Nomenclature, Definitions, and Letter Symbols for Screw Threads	FED-STD-H28/1	ASME B1.7M
Unified Inch Screw Threads - UN and UNR Thread Forms	FED-STD-H28/2	ASME B1.1
Controlled Radius Root Screw Threads, UNJ Symbol	FED-STD-H28/4	ASME B1.15
Unified Miniature Screw Threads	FED-STD-H28/5	ANSI B1.10
Gauges and Gauging for Unified Screw Threads - UN and UNR Thread Forms	FED-STD-H28/6	ASME B1.2
Inspection Methods for Acceptability of UN, UNR, UNJ, M, and MJ Screw Threads	FED-STD-H28/20	ASME B1.3M
Metric Screw Threads	FED-STD-H28/21	ASME B1.13M and ASME B1.21 M
Metric Screw-Thread Gauges	FED-STD-H28/22	ASME B1.16M, B1.21M
Class 5 Interference-Fit Screw Threads	FED-STD-H28/23	ASME B1.12

075-1.2.1.2 Threaded fasteners are used throughout a ship to mechanically join individual parts of machinery, piping, and equipment. Because of this extensive use, threaded fasteners come in a wide variety of types, sizes, and materials. This great variety of fasteners, when combined with the special design requirements of shipboard equipment, requires you to be careful when using, maintaining, and replacing them.

075-1.2.2 FASTENER MAINTENANCE PRACTICES. Many shipboard machinery and equipment casualties have been caused by improperly maintaining or installing threaded fasteners. The three main causes are: substituting a lower strength fastener for a higher strength fastener, failing to use corrosion-resistant fasteners in corrosive environments, and improperly preloading the fastener. Proper strength and proper preload are especially important when high-impact (HI) shock requirements need to be considered. A fastener may be entirely satisfactory for normal operating loads yet fail when subjected to HI-shock loads during combat.

075-1.2.3 HI-SHOCK. HI-shock is the pressure pulse suddenly applied to a ship by a non-contacting underwater explosion. This pressure pulse has a high intensity, and, although less severe than the shock pulse caused by the direct impact of a projectile, it is sensed by personnel as a high-intensity shock pulse; hence the term "HI-shock."

075-1.2.3.1 A significant difference in the two forms of shock that is important to fastener design is that, under HI-shock, the stresses and strains (stretching of the bolt) can be calculated by conventional means using normal physical properties. The speed with which the shock load is applied and the resulting speed at which the fastener

is stretched (strain rate) is lower than for direct impact of a projectile. The resulting strain rates are low enough so that the mechanical properties of a fastener, such as the modulus of elasticity and the yield and tensile strength, do not increase significantly. Under direct impact shock loads, however, the strain rate is high enough to cause these properties to increase significantly, requiring more elaborate calculations.

075-1.2.3.2 All shipboard components, equipment, systems, and structures have a required HI-shock grade. An item's ability to meet HI-shock grade requirements is evaluated by testing (see MIL-S-901, **Shock Tests, H. I. (High-Impact) Shipboard Machinery, Equipment, And Systems, Requirements For**, for further information on HI-shock testing). The HI-shock grades are:

- a. Grade A shock is assigned to items that must remain fully functional during and after the application of HI-shock loads. Minor damage that does not impact the item's function is acceptable, as long as the damage does not cause projectiles that present a hazard to personnel at assigned battle stations or to other Grade A shock items.
- b. Grade B shock is assigned to items that do not need to remain functional, but which are not allowed to present a hazard to personnel at assigned battle stations or to Grade A shock items. Essentially, Grade B items shall not come adrift, have pieces break off to become projectiles, or rupture their pressure boundary.
- c. Grade C shock, while not an official designation, is commonly applied to the remaining shipboard items. These are the items, which, by either their basic design or their location, do not need to function after the application of HI-shock loads, and do not present a hazard to personnel or to Grade A shock items.

075-1.2.3.3 Because of shock qualification requirements, substitution of fasteners of different designs or materials should not be made on equipment subject to Shock Grade A or Shock Grade B requirements without engineering analysis and approval.

075-1.2.4 INTRODUCTION TO FASTENER SPECIFICATIONS AND STANDARDS. Fastener specifications and standards have been developed by many different organizations for many different purposes. Here is a summary of the most common sources for fastener specifications and standards used by the Navy.

075-1.2.4.1 Government Specifications and Standards. There are two main groups of government specifications: Federal specifications and standards, and Military specifications and standards. Recent procurement reform efforts have cancelled many Federal and Military specifications in favor of commercial specifications.

075-1.2.4.1.1 Federal specifications and standards. These specifications were created by the US Government for use throughout all Federal agencies. They are typically maintained by the General Services Administration (GSA). Federal specification numbers are usually written in this form: QQ-N-286F (a double letter followed by a single letter followed by a number (with a revision letter, if applicable)). Federal standard numbers always start with Fed-Std-, followed by a number (with a revision letter, if applicable).

075-1.2.4.1.2 Military specifications and standards. These specifications were created by the US Military or by one of the services for US military use. The Defense Logistics Agency (DLA) maintains most military specifications, although each service also maintains some specifications unique to their applications. There are six types of military specifications and standards: Military specifications (Mil-Specs), Military detail specifications (MIL-DTL), Military performance specifications (MIL-PRF), Military standards (MIL-STDs), Military standard drawings (MS drawings), and Military handbooks (Mil handbooks).

- a. Military specifications provide exact requirements for an item, for a process or for a testing procedure. Military specification numbers are written in this form: MIL-F-8961A (MIL followed by a single letter followed by a number (with a revision letter, if applicable)).
- b. Military detail specifications (i.e. MIL-DTL-1222K) have replaced some older Mil-Specs and always start with MIL-DTL-, followed by a number (with a revision letter, if applicable).
- c. Military performance specifications (i.e. MIL-PRF-46010F) have replaced some older Mil-Specs and always start with MIL-PRF-, followed by a number (with a revision letter, if applicable).
- d. Military standards provide more general requirements than do Mil-Specs. Military standard numbers always start with MIL-STD- or DOD-STD-, followed by a number (with a revision letter, if applicable).
- e. Military standard drawings provide exact requirements for an item or process, in a drawing format. Military standard drawing numbers are written in this form: MS17828 (MS followed by a number (with a revision letter, if applicable)).
- f. Military handbooks provide guidance on processes, procedures or requirements. They are technically not a specification for contracting purposes and cannot normally be invoked in a contract. Military handbook numbers always start with MIL-HDBK-, followed by a number (with a revision letter, if applicable).

075-1.2.4.2 Non-Government Specifications and Standards. Many non-government organizations prepare and issue specifications. They range from societies that only prepare specifications (such as ISO), through professional societies (such as ASME and SAE), and industry associations (such as IFI) to specific companies such as General Motors (GM). The non-government organizations that prepare fastener specifications most often used by the Navy include:

- a. ANSI (American National Standards Institute) This US specification society no longer maintains specifications, instead ANSI's documents are being maintained by ASME using the old ANSI number. Some older specifications still have the ANSI designation, or are designated ANSI/ASME or ASME/ANSI. These are gradually being replaced by ASME revisions, which have an ASME designator with the ANSI number.
- b. ASME (American Society of Mechanical Engineers) This US professional society develops and issues specifications for fastener physical properties, such as thread dimensions. The main group that prepares fastener specifications is committee B18 on fasteners. Most US fasteners use ASME specifications for their physical dimensions.
- c. ASTM (American Society for Testing and Materials) This US professional society develops and issues specifications for fastener material properties and testing methods.
- d. DIN (Deutsches Institute für Normung) This German specification society develops and issues specifications for fastener physical and material properties. DIN fasteners are found in foreign made equipment, most often in older equipment, for at one time DIN fastener standards were the de facto international metric standards. With the advent of ISO metric fastener standards, which were identical to the DIN fastener standards, DIN fasteners have become less common.
- e. IFI (International Fasteners Institute) This US industry association is not primarily a specification body, but instead is an association of fastener manufacturers and distributors. IFI has produced some specifications to fill manufacturer's needs for a standard design until a major specification body can produce a specification.
- f. ISO (International Standardization Organization) This international specification society develops and issues specifications for fastener physical and material properties. ISO fasteners are found in foreign made equipment, because ISO metric fastener standards are the international metric fastener standards.
- g. NAS and NASM (National Aerospace Standard) These specifications are maintained by the National Aero-

space Standards Committee (NASC) of the Aerospace Industries Association. NAS specifications cover fastener physical and material properties for fasteners primarily used by the aerospace industry. NAS fasteners are usually only found on Navy equipment with a significant aerospace application, such as the LM-2500 gas turbines. NASM specifications are primarily MS drawings transferred to NASC under procurement reform. NASM specifications retain their old MS number, with NASM replacing MS.

- h. SAE (Society of Automotive Engineers) This US professional society develops and issues specifications for fastener physical and material properties. While SAE has some generally used fastener specifications (the steel fastener Grade system is defined in an SAE specification), most SAE fastener specifications are developed for aerospace and automotive industry applications. There are a few SAE marine application fastener specifications, developed under the Ship Systems and Equipment Committee.

075-1.2.5 GLOSSARY OF TERMS. Be careful when using common names or slang terms. The fastener world has become more complicated than it once was. Terms that were once acceptable, such as Cr-Mo (or chrome-moly), may now be ambiguous. For example, ASTM A193 Grade B7 bolts are in fact bolts made from a steel alloy containing chromium and molybdenum, whereas ASTM A193 Grade B16 bolts are bolts made from a steel alloy containing chromium, molybdenum, and vanadium. When someone uses the term Cr-Mo, it is very difficult to know which of the two steel alloys they are referring to. Table 075-1-2 is an alphabetical listing of important terms used in this chapter.

**Table 075-1-2. GLOSSARY OF TERMS**

Term	Definition
AARH	Arithmetic average roughness height (Ra), is the arithmetic average of the height of the grooves or serrations in the flange of a bolted joint measured from the nominal or ideal surface to the peaks of the serrations, not peak to valley.
Allowance	Minimum clearance (positive allowance) or maximum interference (negative allowance) between mating parts.
Alloy steel	Steel containing significant quantities of alloying elements (other than carbon and the commonly accepted amounts of manganese, silicon, sulfur, and phosphorus) added to obtain specific mechanical or physical properties, such as toughness, strength at elevated temperatures, and corrosion-resistance.
Anaerobic thread-locking compound	A liquid that solidifies in the absence of air; used to secure threaded fasteners against loosening in service.
Bearing face or surface	The surface that is at right angles to the fastener centerline and that bears against the part or parts that it fastens; the area under the nut or head of a bolt.
Body	The unthreaded portion of the shank of an externally threaded fastener.
Body-bound bolt	See "fitted bolt".
Bolt	An externally threaded fastener with an integral, usually hexagonal, head on one end intended to be used with a nut. Sometimes incorrectly called a capscrew.
Bolt stud	A headless fastener externally threaded with the same form and fit of thread on both ends or continuously threaded throughout its length. Generally used with a nut on each end.
Bottoming	Screwing a capscrew or stud into a tapped hole until it contacts the bottom of the hole. Bottoming should be avoided since it can generate large forces at the contact point, which can crack the material.
Capscrew	A threaded fastener with an integral, usually hexagonal, head on one end that is intended for use in a tapped hole. It has stringent controls on its dimensions so that it can be more easily screwed into a tapped hole. (See "socket head capscrew").

**Table 075-1-2. GLOSSARY OF TERMS - Continued**

<b>Term</b>	<b>Definition</b>
Chock	An equipment mounting interface used between a foundation or sub-base and a piece of equipment to compensate for the inherent minor spacing defects that exist between equipment and their foundations.
Clamping force	The force on the mating parts which is created by tightening or preloading a threaded fastener.
Class of thread	An alphanumeric (letter and number combination) designation to indicate the standard grade of tolerance and allowance specified for a thread in the inch-based fastener dimensioning system. Neither of the metric-based systems have an equivalent designation, but the metric-based system thread fit tolerance class serves the same function.
Clearance fit	A condition between mating, assembled parts that provides a clearance at their maximum dimensional limit. (See "fit").
Cold heading	A room temperature metal forging process using high forces to form a head on bolts and screws. Also called cold forming.
Creep	Slow deformation by stress below the normal yield strength, commonly occurring at temperatures above 600 degrees F.
Elastic deformation	A change in shape which is fully recoverable if the stress is removed.
Extensometer	An instrument used for measuring the extension or stretch of a bolt or stud, such as a micrometer.
Factor of Safety	A ratio of a limiting value divided by the force expected during service. For example, the factor of safety for the strength of a bolt is the tensile strength of the bolt divided by the calculated, expected stress the bolt will experience.
Fastener	A mechanical device that holds two or more mating parts in definite positions with respect to each other.
Fastener dimensioning system	A set of specifications and rules for dimensioning (sizing) fasteners and fastener threads. There are three fastener dimensioning systems commonly used in the US: the inch-based system; the US metric-based system; and the international metric-based system.
Fatigue	Failure mechanism which occurs from repeated stresses having a maximum value less than the material tensile strength. A fatigue fracture usually exhibits distinct periods consisting of crack initiation, crack growth and final overload.
Fit	A term used to describe the looseness or tightness of two mating parts. The inch-based system uses terms such as Class 1 fit (loose), Class 3 fit (tight), Class 5 fit (interference), thumb press fit (snug).
Fitted bolt	A stud or bolt that has been fitted to its mating hole so that the clearances between its unthreaded shank and its mating hole are extremely small. Either the hole is drilled and reamed true and square with the bearing surface and the bolt machined to fit the hole, or the bolt is pre-machined and the hole reamed to fit the bolt. Not to be confused with interference fit.
Forging	Forcing metal under pressure into a desired shape usually at elevated temperature.
Functional pitch diameter	The pitch diameter of an enveloping thread with perfect pitch, lead, and flank angles and having a specified length of engagement. This diameter includes the cumulative effect of variations in lead (pitch), flank angle, taper, straightness, and roundness. Variations at the thread crest and root are excluded.
Galling	A condition on any of the rubbing surfaces of one or both mating parts where friction between microscopic high spots causes localized welding, resulting in spalling, further roughening of the surface, followed by more severe localized welding. This can result in chipping, fragmentation or deformation of the threads or bearing surface.

**Table 075-1-2. GLOSSARY OF TERMS - Continued**

<b>Term</b>	<b>Definition</b>
Grip length	The distance from the underside of the head to the end of the full cylindrical portion of the shank including transition threads. It is the nominal screw length minus the basic thread length.
Interference fit	A fit between mating assembled parts that provides interference between the internally and externally threaded fasteners at their minimum dimensional limits. Prior to assembly the externally threaded member is larger than the internally threaded member but when assembled become the same size and develop a high prevailing torque.
Internal wrenching bolt	A bolt having a large conical head with a flat top, flat bearing surface, and socket or recess, usually hexagon shaped.
Jackbolt	A bolt threaded through one piece and bearing against a suitable surface of another piece, so that tightening of the jackbolt will separate the two pieces, as during disassembly of the component. Also, one of a series of bolts threaded through the perimeter of a multi-jackbolt tensioner nut body. When these are torqued, they prestress the main stud. Jackbolts are typically narrow hex head or hex recess bolts.
Ksi	Abbreviation for 1,000 pounds per square inch, the k representing 1,000. This is the inch-based system's unit for pressure and stress.
Length of thread engagement	The axial distance that the complete external thread is in contact with the complete internal thread, measured at the pitch diameter.
Mechanically Adjustable Chock (MAC)	A specially designed chock that can be adjusted to various heights by rotating the threaded members. Any planar adjustment is compensated for automatically by a sliding motion of the spherical bearing. The Vibracon Adjustable Chock is one brand of MAC.
Machined threads	Threads that are formed by cutting away material.
Major diameter	On a straight thread, the major diameter is the diameter of the crest of the external thread or the root of the internal thread. For a taper thread, the major diameter is the diameter of the crest of the external thread or the root of the internal thread measured at any given point along the thread.
Maximum dimensional limit	The condition where the crest and root of an externally threaded fastener are at their maximum diameter or the crest and root of an internally threaded fastener are at their minimum diameter.
Minimum dimensional limit	The condition where the crest and root of an externally threaded fastener are at their minimum diameter or the crest and root of an internally threaded fastener are at their maximum diameter.
Minor diameter	On a straight thread, the minor diameter is the diameter of the root of the external thread or the crest of the internal thread. For a taper thread, the minor diameter is the diameter of the root of the external thread or the crest of the internal thread measured at any given point along the thread.
Multi-jackbolt tensioner (MJBT) or Superbolt Torquenut	An assembly consisting of a cylindrical nut body, multiple jackbolts, and a hardened thrust washer. Multi-jackbolt tensioners are pre-loaded by extending the jackbolts, instead of torquing the nut body. Superbolt is one brand of these tensioners.
Nut	A nut is an internally threaded fastener, usually with a hexagonal shaped body perpendicular to the internally threaded hole. For self-locking nuts, see "prevailing torque locknut".
Peening	Peening is the forging of the end of a pin or bolt to expand it. In the case of a bolt or stud, it prevents the nut from coming off.

Table 075-1-2. GLOSSARY OF TERMS - Continued

Term	Definition
Pitch	The distance, measured parallel to the fastener's axis, between corresponding points on adjacent thread forms in the same axial plane and on the same side of the axis. In the inch-based fastener dimensioning system, this is usually given in threads per inch. In both metric-based fastener dimensioning systems, this is given in millimeters between adjacent thread crests.
Pitch diameter	The diameter of an imaginary cylinder that has a surface that passes through the threads at the point where the width of the thread groove is the same as the width of the thread ridge, roughly half way between the top and bottom of the thread.
Preload	The amount of clamping force exerted by a fastener on joined members solely due to tightening the fastener. When a bolt is preloaded the tensile force in the bolt is equal and opposite to the compressive force within the joint members.
Prestress	The axial stress in the fastener that results solely from the preload.
Prevailing torque	The torque required to rotate a nut or a bolt when the fastener applies no clamping force to the parts being fastened. The prevailing torque must be measured and added to the torque specified to achieve the desired clamping force. The torque required to bring mating parts together is not considered prevailing torque.
Prevailing torque locknut	A locknut that maintains a prevailing torque or resistance to rotation even with no clamping force present. Also called a self-locking nut.
Proof load	Proof load is a specified test load that a fastener must withstand without indicating any yielding or permanent deformation.
Roll-pin	A straight pin made of a tubular section of hardened spring steel slit lengthwise down one side. The pin compresses when driven into a slightly smaller hole and its spring properties retain it in place.
Root diameter	The diameter of an imaginary cylinder or cone bounding the bottom of the roots of a screw thread. Root diameter is the more common term for the minor diameter of an external thread or the major diameter of an internal thread.
Roll-formed threads	Threads formed by forging a smooth rod between rotating or reciprocating dies.
Self-locking threaded fastener	A fastener having a self-contained locking feature, such as a strip of polymer, that resists rotation by gripping the mating thread and does not depend upon the bolt, nut, or stud load for locking.
Self-locking nut	See "prevailing torque locknut".
Shouldering	Shouldering occurs when the thread runout at the beginning of the unthreaded shank enters the threaded hole, causing local distortion of the threads and surrounding area.
Slugging	A procedure for tightening large fasteners by striking a special wrench, called a slugging wrench, that has a large flat striking surface on the end of its short handle.
Socket head capscrew	A headed, externally threaded fastener with a recessed, hexagonal socket for a hex (allen) wrench.
Spalling	The breaking or chipping of material, usually by impact forces but also resulting from fatigue and galling.
Spiral-pin	A straight pin made of a rolled-up strip of hardened spring steel that looks like a clock spring or spiral in cross section. The pin compresses when driven into a slightly smaller hole and its spring properties retain it in place.
Spring-pin	See "Roll-Pin" and "Spiral-Pin".
Staking	The upsetting of the surrounding metal at three or four points with a center punch at the fastener's head, if it is exposed, to secure the fastener.
Stud	A headless fastener threaded on each end or continuously threaded over its entire length. It is intended to be set into a tapped hole either by using a class 5 (interference) fit on the set end or by using an anaerobic thread-locking compound. A stud may have different fits on the set and nut ends.

**Table 075-1-2. GLOSSARY OF TERMS - Continued**

<b>Term</b>	<b>Definition</b>
Superbolt®	One brand of multi-jackbolt tensioners. See "Multi-jackbolt tensioner (MJBT)".
Tensile strength	The maximum tensile stress a material can sustain without tearing apart. Also referred to as ultimate strength. Inch-based fasteners use pounds per square inch (lb/in <sup>2</sup> or psi), and sometimes ksi. Metric-based fasteners use mega Pascals (MPa) or Newtons per square millimeter (N/mm <sup>2</sup> ).
Tensile stress area	The circular cross-sectional area of a theoretical unthreaded rod whose cross-sectional area is such that it would fail in tension at the same load as a particular threaded fastener.
Tensioner nut body	On an MJBT, a slender, circular collar internally threaded to fit the main stud or bolt. The collar has integral jackbolts threaded through the perimeter. Torque is only applied to the nut body initially to snug the mating surfaces. See "Multi-jackbolt tensioner".
Thread gauges	Gauges used to check threads for conformance with specifications. Types of thread gauges include thread-indicating gauge, thread limit gauge, thread plug gauge, thread ring gauge, thread snap gauge, or go/no-go gages.
Thread gauging	Using a thread gauge to determine whether a fastener is within specified limits.
Through bolt	A bolt that has a head on one end and a nut on the other, which passes completely through the members to be fastened. (See "bolt")
Tolerance(s)	Tolerances are specified amounts by which dimensions are permitted to vary. The tolerance is the difference between the maximum and the minimum limits permitted.
Tolerance class	A dimensionless parameter that defines the fastener thread tolerances for fasteners in both metric-based fastener dimensioning systems.
Torque	A turning or twisting force exerted on a fastener. Inch-based fasteners measure torque in foot-pounds (lbf · ft) or inch-pounds (lbf · in), which is equal to the force in pounds applied to the end of a theoretical 1-foot or 1-inch-long wrench handle. Metric based fasteners measure torque in Newton meters (N · m). Conversion factors from U.S. customary units to metric (SI) are: foot pound-force (lbf · ft) to Newton meter (N · m) 1 lbf · ft = 1.356 N · m inch pound-force (lbf · in) to Newton meter (N · m) 1 lbf · in = 0.113 N · m
Torque, breakaway	The torque required to start the rotation of a fastener. The magnitude of this torque is significant when checking the bonding of an anaerobic locking compound. The term is also used to describe the torque required to start the rotation of a fastener when loosening it or restarting its rotation when tightening a group of fasteners in successive increments. Breakaway torque will always be higher than that required to continue the rotation.
Torque, prevailing	See "prevailing torque".
Ultimate strength	See "tensile strength".
Washerface	A shoulder formed on the bearing surface of a bolt head or nut with a smooth bearing surface and a round outer diameter, designed to eliminate the need for a flat washer.
Yield strength	The maximum tensile stress that a material can sustain without causing more than a specified amount of permanent deformation. Inch-based fasteners use pounds per square inch (psi) (abbreviated lb/in <sup>2</sup> ). Metric-based fasteners use mega Pascals (abbreviated MPa) or Newtons per square millimeter (abbreviated N/mm <sup>2</sup> ).

## SECTION 2

### IDENTIFICATION OF FASTENERS

#### 075-2.1 GENERAL

075-2.1.1 Threaded fasteners are used in a wide variety of applications. This results in threaded fasteners that are supplied with many different properties to meet the specific requirements of different applications. These properties include:

- a. Measuring system used for fastener dimensions. There are three fastener dimensioning systems that are commonly used in the US:
  1. Inch-based fastener dimensioning system (defined by ASME standards);
  2. US metric-based fastener dimensioning system (defined by ASME standards);
  3. International metric-based fastener dimensioning system (defined by ISO standards).
- b. Thread class, fit, series and designation within a particular fastener dimensioning system.
- c. Material properties, including strength, degree of corrosion resistance, temperature resistance, coating, and toughness.

075-2.1.2 Replacement fasteners must be carefully selected so that the dimensional properties match those of the existing fastener, and that the material properties of the new fastener meet or exceed those specified for the application. This section discusses how the three fastener dimensioning systems identify fasteners, and how each system defines thread class, fit, and series. It also discusses many of the fasteners that are considered as preferred for design and are available from the Federal Supply System. Threaded inserts and nonstandard fasteners are also identified here. The markings used on fasteners to identify the fastener material are covered in Section 3 of this chapter.

#### 075-2.2 FASTENER DIMENSIONING SYSTEMS

##### 075-2.2.1 INCH-BASED FASTENER DIMENSIONING SYSTEM.

075-2.2.1.1 Background. Most US fasteners use the inch-based fastener dimensioning system for fastener dimensions. This is especially true for fasteners on US Navy ships, systems and equipments.

075-2.2.1.2 Dimensional Specifications. In the inch-based fastener dimensioning system, all fastener dimensions are defined in inches or fractions thereof. The main specifications that define fastener dimensions for the inch-based fastener dimensioning system are:

FED-STD-H28	<b>Screw Thread Standards for Federal Services</b> This is being replaced as a primary fastener dimensioning standard by commercial fastener dimensioning standards.
ASME B1.1	<b>Unified Inch Screw Threads (UN and UNR Thread form)</b>
ASME B1.2	<b>Gages and Gaging for Unified Inch Screw Threads</b>
ASME B1.12	<b>Class 5 Interference-Fit Thread</b>
ASME B1.15	<b>Unified Inch Screw Thread, UNJ Thread Form</b>
ASME B18.2.1	<b>Square and Hex Bolts and Screws, Inch Series Including Hex Capscrews and Lag Screws</b>

- Continued

ASME B18.2.2	<b>Square and Hex Nuts (Inch Series)</b>
ASME B18.3	<b>Socket Cap, Shoulder and Set Screws-Inch Series</b>
ASME B18.6.2	<b>Slotted Head Capscrews, Square Head Set Screws and Slotted Headless Set Screws (Inch Series)</b>

#### 075-2.2.2 U.S. METRIC-BASED FASTENER DIMENSIONING SYSTEM.

075-2.2.2.1 Background. Some US fasteners use the US metric-based fastener dimensioning system for fastener dimensions. These metric fasteners are not always interchangeable with international metric fasteners. This is because the dimensions of the US metric fasteners are not always the same as the dimensions of international metric fasteners.

075-2.2.2.2 Dimensional Specifications. In the US metric-based fastener dimensioning system, all fastener dimensions are defined in millimeters to ASME (or ANSI) specifications. The main specifications that define fastener dimensions for the US metric-based fastener dimensioning system are:

ASME B1.3M	<b>Screw Thread Gaging Systems for Dimensional Acceptability, Metric Screw Threads (M and MJ)</b>
ASME B1.13M	<b>Metric Screw Threads-M Profile</b>
ASME B1.16M	<b>Gages and Gaging for Metric M Screw Threads</b>
ASME B1.21M	<b>Metric Screw Threads-MJ Profile</b>
ASME B18.2.3.1M	<b>Metric Hex Capscrews</b>
ASME B18.2.3.2M	<b>Metric Formed Hex Screws</b>
ASME B18.2.3.3M	<b>Metric Heavy Hex Screws</b>
ASME B18.2.3.5M	<b>Metric Hex Bolts</b>
ASME B18.2.3.6M	<b>Metric Heavy Hex Bolts</b>
ASME B18.2.3.7M	<b>Metric Heavy Hex Structural Bolts</b>
ASME B18.2.4.1M	<b>Metric Hex Nuts, Style 1</b>
ASME B18.2.4.2M	<b>Metric Hex Nuts, Style 2</b>
ASME B18.2.4.5M	<b>Metric Hex Jam Nuts</b>
ASME B18.2.4.6M	<b>Metric Heavy Hex Nuts</b>

#### 075-2.2.3 INTERNATIONAL METRIC-BASED FASTENER DIMENSIONING SYSTEM.

075-2.2.3.1 Background. This is the most commonly used fastener dimensioning system in the world. As part of the global conversion to the international metric (SI) system, many countries replaced their unique fastener dimensioning systems with the international metric fastener dimensioning system. All new, and most older, foreign origin systems or equipments use ISO metric standard fasteners.

#### NOTE

Some older foreign system and equipment drawings refer to DIN specifications for the fasteners, instead of ISO specifications. DIN is the German specification body, and the DIN fastener specifications were the foundation for the ISO fastener specifications. DIN fasteners are completely interchangeable with equivalent size, tolerance class, and material property ISO fasteners.

075-2.2.3.2 Dimensional Specifications. In the international metric-based fastener dimensioning system, all fastener dimensions are defined in millimeters to ISO specifications. The main specifications that define fastener dimensions for the international metric-based fastener dimensioning system are:

ISO 68-1	<b>ISO General Purpose Screw Threads-Basic Profile Part 1: Metric Screw Threads</b>
ISO 261	<b>ISO General Purpose Metric Screw Threads-General Plan</b>
ISO 262	<b>ISO General Purpose Metric Screw Threads-Selected Sizes for Screws, Bolts and Nuts</b>
ISO 724	<b>ISO General-Purpose Metric Screw Threads-Basic Dimensions</b>
ISO 888	<b>Bolts, Screws and Studs-Nominal Lengths, and Thread Lengths for General Purpose Bolts</b>
ISO 898	<b>Mechanical Properties of Fasteners</b>
ISO 965	<b>ISO General Purpose Metric Screw Threads-Tolerances</b>
ISO 1502	<b>ISO General-Purpose Metric Screw Threads-Gauges and Gauging</b>
ISO 4759	<b>Tolerances for Fasteners</b>
ISO 5855	<b>Aerospace - MJ Threads</b>

### 075-2.3 FASTENER DESIGNATION

075-2.3.1 The inch-based fastener dimensioning system is the source for the thread class, fit, series and designation terminology most commonly used in the US (class 5 fit, coarse threads, etc.). This terminology differs from the terminology used by both the US and international metric-based fastener dimensioning systems. Section [075-2.3.2](#) describes the thread class, fit, series and designation terminology used by the inch-based fastener dimensioning system. Section [075-2.3.3](#) describes the thread class, fit, series and designation terminology used by both metric-based fastener dimensioning systems

#### 075-2.3.2 INCH-BASED FASTENER DIMENSIONING SYSTEM FASTENER DESIGNATION - THREAD CLASS, FIT, SERIES, AND DESIGNATION

075-2.3.2.1 Thread classes. Standard thread classes have been established in the inch-based fastener designation system to control the amount of tolerance and allowance used in forming threads. Compliance with the established tolerances and allowances ensures that threaded components will be interchangeable. There are six classes of clearance fit threads: three for external threads, 1A, 2A, and 3A; and three for internal threads, 1B, 2B, and 3B. Allowance is specified only for classes 1A and 2A, and the allowance is identical for both classes. Tolerance decreases as class number increases. The tolerance for class 3A is less than that for class 2A, which is less than that for class 1A (that is, the higher the thread class number, the tighter the fit). There are also five classes of interference fit threads: three for external threads, NC5 HF, NC5 CSF, and NC5 ONF; and two for internal threads, NC5 IF and NC5 INF. The different classes of threads are distinguished from each other by the amounts of tolerance and allowance specified.

075-2.3.2.1.1 Class 1. Class 1A and 1B threads are intended for use where quick and easy assembly is necessary and where a liberal allowance is required to permit ready assembly, even with slightly bruised or dirty threads. They are typically used for such applications as the threaded pins in rigging gear, turn-buckles, and other applications requiring thick zinc coatings. In general, these classes are not commonly used by fasteners on board ship.

075-2.3.2.1.2 Class 2. Class 2A and 2B threads are the most frequently used thread classes for general ship-board applications. They provide a reasonable degree of strength (being somewhat stronger than class 1) while having enough clearance to permit application of corrosion-resistant coatings.

075-2.3.2.1.3 Class 3. Class 3A and 3B threads are used in specific applications where closeness of fit and accuracy of lead angle are important, such as for adjusting devices and long thread engagements. They require high-quality production equipment and quality control and provide no allowance for assembly or coatings. Class 3 threads have no clearance at the extreme end of their tolerances and allowances. They are also increasingly used for studs which are set with anaerobic thread-locking compound, for socket-head capscrews, and for elastic stop nuts, where close fits improve locking performance.

075-2.3.2.1.4 Class 5. Class 5 threads are interference fit threads and are available in the older NC (National Coarse) series only. They are used where the set end of a stud needs to be restrained in its tapped hole against loosening in service or loosening when the nut is removed. Studs with a class 5 fit on the set end can have either a class 2 or a class 3 fit on the opposite end, as the application requires. Normally, using a class 5 fit for the stud set end can be avoided by using a locking compound with a class 2 or class 3 fit stud set end (see paragraph [075-5.7.2.10.2](#)).

075-2.3.2.2 Thread fit. The fit of threads describes the predictable amount of clearance between the external and the internal threads in an assembly. The fit of threads is determined by the class of the internal and the external thread. The thread fit ranges from loose, when class 1A and 1B threads are mated, to an actual interference fit, where the external thread pitch diameter (PD) is larger than the internal thread PD with class 5 interference fit threads.

075-2.3.2.2.1 Class 1, 2, and 3 Fit. Although it is common practice to mate external and internal threads of the same class together, for some applications the requirements for a specific thread fit may be met by specifying an appropriate combination of external and internal thread classes. A class 1A external thread, for example, can be mated with a class 1B, 2B, or 3B internal thread to achieve a variety of thread fits.

075-2.3.2.2.2 Class 5 Fit. Class 5 fits present problems in installation, removal and repair unless careful sizing and installation procedures are followed. Wherever temperature limits permit, it is better to use class 3A studs with anaerobic thread-locking compound on the set end.

075-2.3.2.2.3 ASME B1.12 and FED-STD-H28/23 define Class 5 threads and their use. ASME B1.12 describes the many different fits used over the years. To standardize thread configurations for logistic support it is recommended that Class NC5-HSF threads per Appendix C of ASME B1.12 be used on studs for all initial installations regardless of the material into which the stud is being installed. The internal threads recommended for Ni-Cu-Al, Titanium, and other materials with a hardness over 160 HB are NC5-IHS per Appendix C of ASME B1.12. For both ferrous and non-ferrous materials with a hardness less than 160 HB the use of NCS-INF internal threads per the basic ASME B1.12 are recommended. In repair applications, it may be necessary to use studs providing more interference by using thread forms with a slightly larger major diameter. Guidance on thread interference requirements for repair is discussed in paragraph [075-8.6.3.2](#)

075-2.3.2.3 Thread series. Five unified screw thread series have been established. Each thread series consists of a series of fastener diameters having a particular distribution of thread pitches. Only four of these five series are in general use on board ship. These series are: UNC, the unified coarse thread series; UNF, the unified fine thread series; UN, the constant pitch thread series; and the UNJ series. The fifth series is NC, the National Coarse thread series, which is based on the older American National Thread Standard. NC is still used for class NC5 fit studs and their tapped holes.

075-2.3.2.3.1 UNC (Coarse Thread) Series. The most common series is the UNC, or coarse thread series, which makes up the bulk of all threaded fastener production. With this series, each fastener diameter between 1/4 inch and 1 inch has a different pitch ranging from 20 threads per inch (tpi) for the 1/4-inch size to 8 tpi for the 1-inch size.

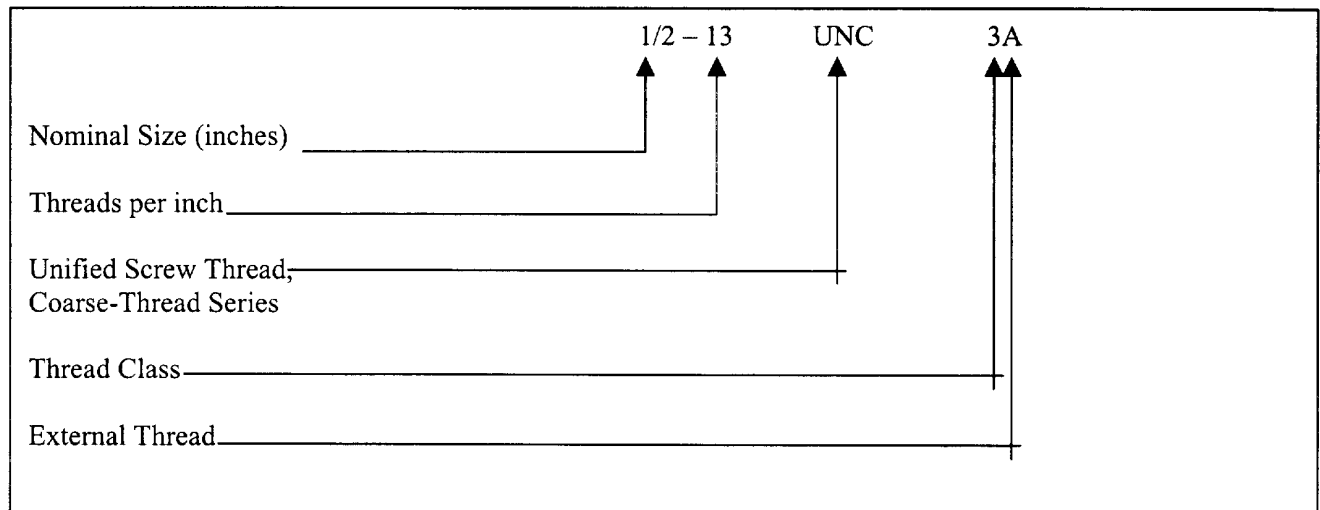
075-2.3.2.3.2 UNF (Fine Thread) Series. For the UNF, or fine thread series, the thread pitch ranges from 28 threads per inch (tpi) for the 1/4-inch size to 12 tpi for the 1-inch size. There is some duplication of pitch in the fine thread series; both the 5/16 and the 3/8-inch size, for example, have a pitch of 24 tpi.

075-2.3.2.3.3 UN (Constant Pitch Thread) Series. The UN, or constant pitch thread series, consists of eight series designated 4UN, 6UN, 8UN, 12UN, 16UN, 20UN, 28UN, and 32UN, each series having a thread pitch equal to the number preceding the UN designation. The eight thread series, 8UN, is the only thread in the constant pitch series in common use for nuts and bolts on board ship. The others are used primarily in pipe unions or special applications.

075-2.3.2.3.4 UNJ Series. The UNJ thread form (per MIL-S-8879 or ASME B1.15) is similar to the UN series thread form. Differences are: the root must be rounded, the root radius and minor diameter must be inspected within the limits specified and the specified root radii are larger, thus creating a larger minor diameter. There are UNJC and UNJF threads. UNJ series threads are widely used by manufacturers of self-locking nuts.

075-2.3.2.3.5 NC (National Coarse Thread) Series. The NC, or National Coarse thread series, has the same pitch as the UNC series, but it is used only for class 5 interference fit threads. (See paragraph 075-2.3.2.2.2).

075-2.3.2.4 Thread designation. The following is an example of a complete thread designation for a 1/2-inch diameter fastener with 13 threads per inch (tpi), unified coarse thread series, with external threads having a Class 3A Fit.



075-2.3.2.5 Thread acceptability, gauging. Two basic concerns are associated with the suitability of a threaded fastener for a particular job: fit and function. Whether a fastener will perform its function depends on its physical properties: hardness, tensile strength, proof load capacity, fatigue resistance, ductility. The fastener's fit determines if the fastener can be installed satisfactorily and if there is enough thread engagement and overlap to be

able to develop full load-carrying capacity. Fasteners have to be measured for fit and tested for function. Thread gauging is normally the manufacturer's responsibility, not the installing activity's responsibility.

075-2.3.2.5.1 Fastener Fit Requirements. ASME B1.3 provides three different gauging systems for determining the fit of threaded fasteners: system 21, system 22, and system 23. These systems are thread measuring systems and are used to determine if the various dimensions of both external and internal threads are within acceptable limits; that is, will they fit together properly. Within these gauging systems, only the dimensions listed in paragraph 075-2.3.2.5.2 are important to shipboard personnel.

075-2.3.2.5.2 Significant Thread Characteristics. Only three dimensions for external threads and two for internal threads are important in determining proper fit. These are: major diameter, functional pitch diameter, and minimum pitch diameter (class 3A only) for external threads; and functional pitch diameter and minor diameter for internal threads.

075-2.3.2.5.3 Thread Gauging for Repair Actions. Unless directed by other guidance, system 21 may be used to check major diameter and functional pitch diameter for external threads, and minor diameter and functional pitch diameter for internal threads. System 22 may be used to check minimum pitch diameter for class 3A external threads. Except for interference fit thread applications, System 21 gauging may be used to determine the acceptability of tapped holes and fasteners for installation in repair actions even when the fastener specifications require inspection in accordance with System 22.

075-2.3.2.6 Thread gauges. The following thread gauges are available to identify the threads on inch-based and metric-based fasteners, and are not the thread gauges used to determine the fit of the thread:

National Stock No.	Description
5210-00-221-1992	27-blades; range 2-1/4 to 28 tpi, Style I, American National. Includes center gauge with coarse and fine notches.
5210-00-293-1872	28-blades; range 4 to 80 tpi, Style B, Sharp V.
5210-00-203-7763	51-blades; range 4 to 84 tpi, Style G, American National.
5210-00-221-1991	Metric, 28-blade, encased blade type-double blade/group. Sizes .25 to .90 in. .05-mm increments: 1.00, 1.10, 1.20, 1.25, 1.30, 1.40, 1.50, 1.60, 1.70, 1.75, 1.80, 1.90, 2.00, and 2.50 mm.

### 075-2.3.3 U.S. AND INTERNATIONAL METRIC-BASED FASTENER DIMENSIONING SYSTEMS FASTENER DESIGNATION - THREAD CLASS, FIT, SERIES, AND DESIGNATION

075-2.3.3.1 Thread classes. While metric fasteners do have thread classes, they are not the same as the inch-based system thread classes. Instead, the metric-based fastener dimensioning system uses thread fit and tolerance parameters that allow a large number of combinations, where the inch-based system uses a limited number of thread classes. Metric-based system thread classes (commonly called tolerance classes) are written as nut thread fit/screw thread fit, such as 6H/6g.

075-2.3.3.2 Thread fit. Thread fit describes the predictable amount of clearance between the external and the internal threads in an assembly. Metric fasteners define fit using tolerance classes composed of two tolerance values: tolerance grade (the tolerance amount) and tolerance position. Fasteners can have either one tolerance value (that applies to both major diameter and pitch diameter) or two tolerance values (the first applies to pitch diameter and the second applies to major diameter). Tolerance class values are written as tolerance grade followed by tolerance position.

075-2.3.3.2.1 Tolerance grade. This is represented by a number that is added to the tolerance zone designation. The tolerance grades most commonly used for fasteners range from 3 to 9. This number is not an actual toler-

ance value, instead it identifies the specific tolerance amount to be used based on the fastener diameter range and thread pitch. For example a grade 3 pitch diameter tolerance for a fastener with a pitch diameter between 11.2 mm and 22.4 mm, and with a pitch of 1, is 0.060 mm.

075-2.3.3.2.2 Tolerance position. This is the position of the tolerance zone in relation to the fastener's basic size. It is designated by letters ranging from "A" to "Z" (except I, K, L, O, Q), where capital letters designate tolerances on internal dimensions (such as for nuts) and where lower case letters designate tolerances on external dimensions (such as for bolts). The "A" and "a" end of the scale designates tolerances that guarantee clearance between external and internal threads. The "Z" and "z" end designates tolerances that guarantee interference between external and internal threads. The "H" and "h" tolerance designates tolerances that start at the basic size, and increase. The "JS" and "js" tolerance designates tolerances centered on the basic size.

075-2.3.3.2.3 Commonly used tolerance classes. The tolerance classes (tolerance grade followed by tolerance position) most commonly used in the metric-based system are:

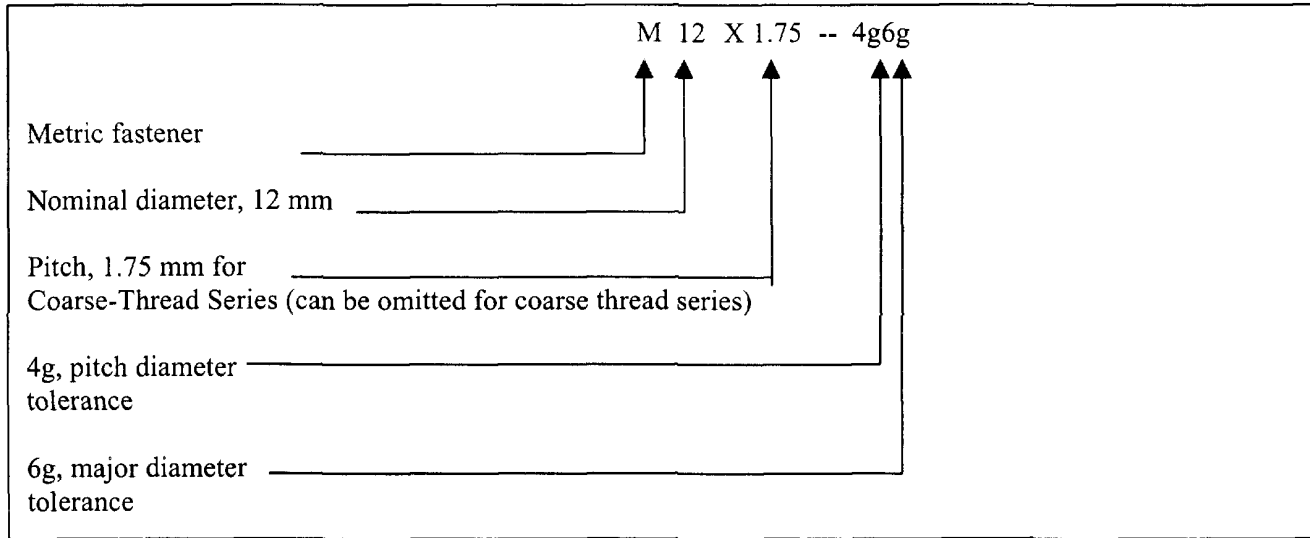
- a) 6H - used for nut threads by the US and international metric based systems, this is similar to an inch-series 2B.
- b) 6g - used for screw threads by the US and international metric based systems, this is similar to an inch-series 2A, except that it allows for plating.
- c) 4g6g - used for screw threads, this is similar to an inch-series 3A. This is used only in the US metric-based system for this purpose.
- d) 5g6g - used for screw threads, this is similar to an inch-series 3A (although not as close a match as 4g6g). This is used by the international metric-based system where the inch-based system uses 3A.

075-2.3.3.2.4 Commonly used tolerance class combinations. These internal/external thread tolerance class combinations, or metric thread classes, are commonly used:

- a) 6H/6g - used in applications by the US and international metric based systems where the inch-based system uses 2A/2B.
- b) 6H/4g6g - used by the US metric-based system in applications where the inch-based system uses 3A/3B.
- c) 6H/5g6g - used by the international metric-based system in applications where the inch-based system uses 3A/3B.

075-2.3.3.3 Thread series. While metric fastener specifications allow many different combinations of fastener diameter and thread pitch, there are two major thread series: coarse and fine. However, the fine series is rarely used, and most metric fasteners use the coarse series.

075-2.3.3.4 Thread designation. The following is an example of a complete thread designation for a 12 mm diameter external coarse thread fastener, with a fit equivalent to 3A.



075-2.3.3.5 Thread acceptability, gauging. Gauging metric threads is similar to gauging inch threads, except that ASME B1.3M is the governing document for US based fastener dimensioning systems. Refer to ASME B1.3M and paragraph 075-2.3.2.5 for metric thread gauging guidance.

**075-2.4 IDENTIFYING REPLACEMENT FASTENERS**

075-2.4.1 Replacement fasteners should be readily identifiable from drawings, technical manuals, and logistic support documentation such as Allowance Parts Lists (APL). Identification has sometimes been difficult because the component drawings and logistical support documentation are deficient. Paragraph 075-2.4.2 and Paragraph 075-2.4.4 can help to identify the proper replacement fasteners. Use Table 075-2-1 for material substitutions. For reactor plant applications, use the appropriate General Reactor Plant Overhaul and Repair Specification for allowed material substitutions.

**Table 075-2-1. AUTHORIZED MATERIAL SUBSTITUTIONS FOR FASTENERS**

Old Material-	Replacement Material-
<b>Bolts/Screws/Studs</b>	
Alloy Steel-ASTM A193 Gr B7	Alloy Steel-ASTM A193 Gr B16
Carbon Steel-SAE J429 Grade 2 or Grade 5-Uncoated	Alloy Steel-ASTM A193 Gr B16 or ASTM A449 Type 1
Carbon Steel-SAE J429 Grade 2 or Grade 5-Zinc coated	Carbon Steel-ASTM A449 Zinc electroplated per ASTM B633
Carbon Steel-SAE J429 Gr 8	Alloy Steel-ASTM A 354 Grade BD
<b>Nuts/Bolts/Screws/Studs</b>	
Silicon Bronze-ASTM F468 Alloy 655	Nickel-Copper-ASTM F468 Alloy 400 where a magnetic material is acceptable
Naval brass-ASTM F468 Alloys 462, 464	
Bronze (or Copper) ASTM F468 Alloy 110	
Aluminum Bronze-ASTM F468 Alloys 613, 614	

**Table 075-2-1. AUTHORIZED MATERIAL SUBSTITUTIONS FOR  
FASTENERS - Continued**

<b>Old Material-</b>	<b>Replacement Material-</b>
Manganese Bronze-ASTM F468 Alloy 675	Nickel-Copper-Aluminum, QQ-N-286
<b>NOTE</b> (where a slightly lower strength and magnetic material are acceptable, Nickel-Copper Alloy 400 may be used with engineering approval (see Paragraph 075-3.9.1 and Table 075-3-7.)	
Phosphor Bronze-ASTM F468 Alloy 510	
Silicon Bronze-ASTM F468 Alloys 651 and 661	
<b>Nuts</b>	
Carbon and Alloy Steel-ASTM A 194 Grades 2, 2H, 2HM, 4 SAE J 995 Grades 2 and 5	Carbon and Alloy Steel ASTM A 194, Grade 7
Carbon Steel-SAE J 995 Gr 8	ASTM A 563 Gr D
Nickel-Copper-Aluminum ASTM F467, Alloy 500	Nickel-Copper ASTM F 467 Alloys 400, 405 Heavy Hex Configuration only
Phosphor bronze and silicon bronze ASTM F467 Alloys 510, 651, and 661	Nickel-Copper ASTM F 467 Alloys 400, 405

075-2.4.2 DRAWING IDENTIFICATION REQUIREMENTS. Detailed system and component drawings should identify the fasteners by a military or industry part identification number (PIN). This PIN provides enough information to completely identify the required fastener. However, many system and component drawings do not comply with part identification drawing requirements. Often, fastener hardware is identified only by a general military specification number or by a proprietary manufacturer's part number, without identifying the applicable military or industry standard PIN. If the fastener is identified by a military or an industry part number, this number can be cross-checked directly to a National Stock Number (NSN) if the part is stocked in the system. If the part number is not identified on the system or component drawing, review the APL next. Since APL's are updated more frequently than the drawings are, always check the APL's.

#### 075-2.4.3 IDENTIFYING FASTENERS ON APL'S.

075-2.4.3.1 Originally, the general policy was to not include fasteners on APL's unless the fasteners were carried as onboard spares. However, since fasteners are often identified improperly on drawings, NAVSEA established a policy in the mid 1990's to identify replacement fastener hardware on APL's, even when the APL authorizes no onboard spares. In 2000, this policy was modified to only identify maintenance significant replacement fastener hardware on APL's. Current policy identifies maintenance significant fasteners as fasteners meeting one or more of the following criteria:

- a. The fastener is part of a pressure boundary in a high energy or critical system (where MIC level 1, high shock or weld classification P- 1 requirements apply),
- b. The fastener is part of a rotating assembly,
- c. The fastener is subject to MIC level 1 requirements,

- d. The fastener must be replaced when it is removed during maintenance, or
- e. The fastener may cause injury to personnel or damage to equipment when it fails.

075-2.4.3.2 Some APL's have been revised to identify replacement fastener hardware. Other APL's will be revised as they are updated for other reasons or when APL revision is specifically requested. In identifying fasteners on APL's, the component piece number and manufacturer's part number should be cross-referenced for those applications in which the standard part number for the fastener is not identified on the component drawing. Where fastener hardware is identified on APL's, the NSN will be identified in addition to the standard part identification number.

075-2.4.4 IDENTIFYING FASTENERS AND FASTENER STANDARD PART NUMBERS WHEN SUPPORT DOCUMENTATION IS LACKING. When support documentation is inadequate to identify the standard part identification numbers for fastener hardware, the following approach is recommended:

- a. Obtain the following information about the fastener from the component drawing or by inspecting the fastener:
  - 1. Type fastener: Socket head capscrew, hex-head capscrew, machine bolt, stud, stud bolt, setscrew, etc.
  - 2. Fastener threads: pitch (number/inch or distance between threads for metric), other identification as to coarse or fine, US or metric (See paragraph [075-2.3.2.6](#) for inch and metric thread gauges),
  - 3. Material and coating: for example, zinc-plated alloy steel,
  - 4. Dimensions: diameter and length, threaded length,
  - 5. Strength: (This information will rarely be available, but sometimes drawings may identify tensile strength or an SAE or ASTM grade).
- b. For those activities that have access to Fastener Preferred for Design Standards, compare the fastener characteristics identified above with those fasteners listed in the applicable Preferred for Design Standard listed below. These standards have been cancelled due to specification reform efforts, but still can still help to identify inch-based fasteners. However, they will not help identify preferred metric fasteners because metric fastener preferences were not considered when the standards were last revised.

MIL-STD-1251, **Screws and Bolts, Preferred for Design**

MIL-STD-1598, **Studs, Preferred for Design**

MIL-STD-1758, **Inserts, Screw Thread, Preferred for Design**

MIL-STD-1764, **Washers, Preferred for Design**

MIL-STD-1903, **Nuts, Preferred for Design**

- 1. Each Preferred for Design Standard has a table of contents that identifies fasteners by type and indicates the section of the document where that type fastener can be found. Each section contains a sketch of the type fastener covered along with applicable standards, material, material strength, protective finish (coating), and some of the more important dimensions. Also listed is the applicable standard part identifying number (dash number).
- 2. Take the following steps to identify a replacement fastener (this applies to inch-based fasteners only).
  - (a) Identify the type of fastener required.
  - (b) See if the desired material, protective finish (coating), and strength match those required.
  - (c) See if the required diameter and thread size match.
  - (d) Verify that the threaded length of the proposed replacement is adequate (see paragraph [075-7.5](#) and Paragraph [075-7.6](#) ).
  - (e) Identify the dash number for the proper length. (Many screws and bolts are identified by the MS num-

ber and a dash number for length. Sometimes more than one dash number may be required to identify the fastener. Sometimes you will have to refer to the applicable standard to identify the appropriate dash numbers.)

3. If a standard part number for the required fastener cannot be located in the Preferred for Design Standard, or the Preferred for Design Standard is unavailable, the next step is to use the Federal Supply Classification to identify the fastener. The Federal Supply Classes for fasteners and related items are:
  - (a) 5305 Screws
  - (b) 5306 Bolts
  - (c) 5307 Studs
  - (d) 5310 Nuts and Washers
  - (e) 5325 Fastening Devices
  - (f) 5340 Insert, Screw Thread
4. There are two main ways to access fasteners through the Federal Supply Classification. The first is by using the Afloat Shopping Guide and the second is by using the Federal Supply Classification Listing of DoD Standardization Documents, which is a part of the Department of Defense Index of Specifications and Standards (DODISS). The use of these documents is described below.
  - (a) Afloat Shopping Guide (ASG). The ASG lists the most commonly used items by class. Less frequently used items may be stocked but not listed in the ASG. The description of items in the ASG is often incomplete, and reference to the applicable standard may sometimes be necessary to determine if the part is suitable. The applicable standard often consists of an MS number and a dash number, although MS drawings are being replaced by commercial specifications in many cases. If the applicable standard is not identified in the ASG, access the technical characteristics for the NSN. Consolidated data files, such as Parts Master, Haystack, and FEDLOG, may be used to access part numbers and technical characteristics. NSN's are provided for all items in the ASG. Therefore, identification of the standard part number is not required to order the item. The Afloat Shopping Guide is no longer separately issued, but is now included on the Naval Logistics Library CD (NAVSUP Publication 600, NSN 0530-LP-011-0540). It is also available on-line from the Naval Supply Systems Command Naval Logistics Library web site at <http://www.nll.navsup.navy.mil/>.
  - (b) Federal Supply Classification Listing (DODISS). This document is more comprehensive than the ASG but more difficult to use. Classes 5305 and 5306 alone list approximately 1,000 standards for screws and bolts. The listing provides only the title of the standard and the preparing activity. Some standards list material and size in the title, but for others it is often necessary to review the document to determine whether it is applicable. In every case, it will be necessary to review the applicable document to determine if there is a standard part number that can be used to order the required part. The DODISS is available as a CD, and is also available on-line as a part of the ASSIST Standardization Document Management Database. It can be accessed on the Department of Defense Single Stock Point for Mil-Specs and Standards (DODSSP) web site at <http://www.dodssp.daps.mil/>.
  - (c) Level I/Subsafe Stock Program Catalog (NAVSEA 0948-LP-103-6010). Naval Inventory Control Point (NAVICP) - Mechanicsburg publishes this catalog, which provides ready identification of Level I/Subsafe fasteners by using activities. The catalog lists materials in the LI/SS Stock Program by noun name and shows the applicable National Stock Number (NSN) or Navy Item Control Number (NICN) to be used in requisitioning material from NAVICP (Mechanicsburg, PA) via normal supply channels. (NOTE: There are two volumes of NAVSEA 0948-LP-103-6010; Vol. 1 is for submarines and Vol. 2 is for surface ships.) (See paragraph 075-3.9.4 for point of contact.)
5. Sometimes the specification number can be used as a starting point to identify replacement fasteners.
  - (a) Obtain the applicable specification and look in the Applicable Documents section to see if part standards are referenced. Also, if this is a Military or Federal specification, look in the specification's Sec-

tion 6 under Military Procurement. Section 6 usually requires that for military use the fasteners be limited to the variety shown on applicable military or industrial standards and then identifies the standards.

- (b) Another alternative is to enter the Master Cross Reference List through the specification number. In the case of MIL-DTL-1222 fasteners, however, this may require viewing the technical requirements for nearly 3,000 fasteners. In such a case, contact one of the activities identified in paragraph 075-3.9.2

## 075-2.5 CAPSCREWS AND INTERNAL WRENCHING BOLTS.

075-2.5.1 SOCKET-HEAD CAPSCREWS. These fasteners are often used in hydraulic systems such as those found aboard submarines and advanced lightweight surface craft, where the space and weight of the components is limited. The internal hex socket minimizes the size of components, since no space is required outside the bolt-head diameter for a wrench or socket. On socket-head capscrews the head is cylindrical, and the sides of the heads are at right (90-degree) angles to the surface into which the screw is threaded. (See paragraph 075-2.5.2.1 for how capscrew heads differ from internal wrenching-bolt heads.) Shipbuilding specifications have required socket-head capscrews to be in accordance with Federal Specification, FF-S-86, **Screw, Cap, Socket-Head**. For military applications, FF-S-86 requires the capscrews to be manufactured to one of the dimensional standards it lists. The following dimensional standards are listed in FF-S-86; some are identified further in Table 075-2-2.

MS16995	MS24674
MS16996	MS24678
MS16997	MS35455
MS16998	MS35456
MS21262	MS35457
MS21295	MS35458
MS24667	MS35459
MS24671	NAS 1351
MS24673	NAS 1352

### 075-2.5.1.1 Selecting Dimensional Standard

075-2.5.1.1.1 Replacement Steel Socket Head Capscrews. Replacement steel socket head capscrews shall be in accordance with National Aerospace Standard (NAS) 1351 and NAS 1352 when available. The replacement capscrews shall be of the same material and finish as those screws previously specified, except as indicated in paragraph 075-2.5.1.3. FF-S-86 is the procurement specification for the NAS 1351 and NAS 1352 fasteners as well as the socket head capscrews most commonly used in the past. If the required NAS socket head capscrews are not stocked, the equivalent Military Standard (MS) capscrews may be used.

075-2.5.1.1.2 Replacement Cadmium-Plated Socket Head Capscrews. Replacement cadmium-plated capscrews shall be selected from the NAS 1351 and NAS 1352 standards, when available, rather than from the MS standards. The thread forms on the NAS and MS capscrews differ slightly but are interchangeable as long as the number of threads per inch (designated as coarse or fine) is the same. The reasons for using NAS capscrews for replacement are:

- Since 1987, NAS 1351 and NAS 1352 capscrews have received a minimum 23-hour bake after plating to provide hydrogen embrittlement relief, whereas most MS cadmium- and zinc-plated capscrews have received only a 3-hour minimum bake.
- Some of the MS standards have not been updated to reflect current FF-S-86 requirements, or are obsolete

- c. The thickness of the cadmium plating on the NAS capscrews is 0.0003 inch, as opposed to 0.0002 inch on the MS capscrews, and provides improved corrosion resistance.
- d. The NAS capscrew threads have a controlled root radius that provides improved fatigue resistance.
- e. The NAS 1351 and NAS 1352 capscrews are preferred for new design.

**Table 075-2-2. INTERNAL WRENCHING BOLTS/SOCKET-HEAD CAPSCREWS, SELF-LOCKING OR DRILLED FOR SAFETY WIRING**

Procurement Specification	Dimensional Specification	Thread Size	Length *, inches	Material	Tensile Strength	Marking Requirements
MIL-B-7838	MS 20004 through MS 20024	1/4-28 UNJF-3A through 1-1/2-12 UNJF-3A	0.75 to 8.000	Alloy steel	160 ksi	MS number and manufacturer's identification on bolt head
NAS 159 (for new design use MIL-B-7838)	NAS 144 through NAS 158	1/4-28 UNJF-3A through 1/8-12 UNJF-3A	9/16 to 8	Alloy steel	160-1 80 ksi	NAS part number (dash number for length optional) and manufacturer's identification on bolt head
	NAS 172	1-1/4-12 UNJF-3A	1-3/4 to 8			
	NAS 174	1-3/8-12 UNJF-3A	1-7/8 to 8			
	NAS 176	1-1/2-12 UNJF-3A	2 to 8			
FF-S-86	NAS 1351	No. 0-80 UNRF-3A through 1-12 UNRF-3A	1/8 to 5	Alloy steel	170-180 ksi	Package to be marked with complete NAS standard part number
	NAS 1352	No. 1-64 UNRC-3A through 1-1/2-6 UNRC-2A	1/8 to 6	CRES Heat & corrosion resistant steel	70-80 ksi 160 ksi	Package to be marked with complete NAS standard part number
FF-S-86 and MIL-F-18240	MS 21262 #	No. 4-40 UNC-3A through No. 8-32 UNC-3A	3/16 to 1-1/2	Alloy steel	160 ksi	Circle of six raised or depressed dots on top of head
		No. 10-32 UNF-3A through No. 5/8-18 UNF-3A	5/32 to 3			
FF-S-86	MS 21295 #	(Same as MS 21262)	(Same as MS 21262)	CRES	80 ksi	Same as MS 21262
FF-S-86	MS 24677 #	No. 4-40 UNC-3A through 1-8 UNC-3A	1/4 to 6	Alloy steel	170-180 ksi	Package only unless special marking is specified on procurement order
FF-S-86	MS 24678 ##	No. 6-40 UNF-3A through 5/8-18 UNF-3A	1/4 to 2-1/2	Alloy steel	170-180 ksi	Package only unless special marking is specified on procurement order
FF-S-86	MS 24673 ##	No. 10-32 UNF-3A through 3/8-24 UNF-3A	3/8 to 1-1/2	CRES	70-80 ksi	Package only unless special marking is specified on procurement order
FF-S-86	MS 24674 #	No. 6-32 UNF-3A through 5/8-11 UNC-3A	1/4 to 3	CRES	70-80 ksi	Package only unless special marking is specified on procurement order

**Table 075-2-2. INTERNAL WRENCHING BOLTS/SOCKET-HEAD  
CAPSCREWS, SELF-LOCKING OR DRILLED FOR SAFETY WIRING -**

Continued

Procurement Specification	Dimensional Specification	Thread Size	Length *, inches	Material	Tensile Strength	Marking Requirements
FF-S-86	As specified	As specified	As specified	Ni-Cu-Al QQ-N-286 Annealed and age hardened	130 ksi	Marked •K• or Ni-Cu/K with lot number identification per MS 18116
FF-S-86	MS 16997 #	No. 2-56 UNF-3A through 1/8 UNC-3A	3/16 to 8	Alloy steel	170-180 ksi	Package only unless special marking is specified on procure- ment order
FF-S-86	MS 16998 ##	No. 0-80 UNF-3A through 5/8-18 UNF-3A	1/8 to 3	Alloy steel	160 ksi	Package only unless special marking is specified on procure- ment order
<p>* Available lengths vary with each screw diameter. See dimensional specification for complete listing of available thread sizes, diameters, and lengths. # For new designs and replacements use NAS 1352. ## For new designs and replacements use NAS 1351.</p>						

075-2.5.1.1.3 Replacement Black Oxide Coated Alloy Steel Socket Head Capscrews. Replacement black oxide coated alloy steel socket head capscrews may be selected from FF-S-86, NAS 1351, NAS 1352, or the MS standards. Black oxide coated alloy steel socket head capscrews are as acceptable for Navy use as cadmium coated alloy steel socket head capscrews. However, when replacing any black oxide coated alloy steel socket head capscrews, ensure that incorrect black oxide coated socket head capscrews are not installed by using a magnet to check the fastener material. Steel is magnetic, brass and other materials such as CRES are not.

### CAUTION

**The appearance of a fastener is not a satisfactory indicator of fastener material, since black oxide coated fasteners made from different materials look very similar. When installing fasteners, use a magnet as a verification tool to confirm that the correct fasteners are being installed. In most cases, a strongly magnetic fastener will be carbon or alloy steel with a higher strength than many feebly magnetic or non-magnetic materials. On the other hand, most corrosion resistant materials are non-magnetic and have lower strengths. When fastener identification marks and fastener package identifications are available, a magnet may be used as a verification tool to supplement the available information.**

075-2.5.1.2 NAS 1351 and NAS 1352 Part Numbers. The NAS 1351 and NAS 1352 part numbering systems are identified in Table 075-2-3. Using this table, you can identify part numbers for replacements for the MS

cadmium-plated, socket-head capscrews listed below. Substituting NAS capscrews in counterbored holes for some sizes of MS capscrews (those marked with an \* ) may be impossible because the NAS capscrews have slightly larger head diameters.

MS16997	MS24677	MS35458*
MS21262*	MS24678*	
MS16998	MS35457*	

NAS 1351 covers fine threads; NAS 1352 covers coarse threads. Each NAS standard covers three materials, which are identified in the part number as the following table shows:

**Table 075-2-3. NAS 1351 AND NAS 1352 PART NUMBERING SYSTEMS**

NAS	1351	--	8	H	12	P
National Aerospace Standard						
<p>1351 = Socket-head capscrew, UNRF-3A threads  1352 = Socket-head capscrew, UNRC-3A threads</p> <p>Material Code:  -- = Alloy Steel  C = Corrosion Resistant Steel (CRES)  N = Heat Resistant Steel</p> <p>Nominal thread size dash number as tabulated in standard  00 to 08 = Nominal size (for small diameter fasteners)  3 to 16 = Nominal diameter in sixteenths of an inch</p> <p>Type Code  - = Undrilled head  H = Drilled head (for lockwire)  LE = Self-locking male threaded fastener (optional-type locking element in accordance with NAS 1283)  LL = Self-locking male threaded fastener (longitudinal strip locking element, NAS 1283, Type L)  LN = Self-locking male threaded fasteners (pellet locking NAS 1283, Type N)  LB = Self-locking male threaded fastener (patch-type locking element, NAS 1283, Type P)</p> <p>Dash number indicates length in sixteenths of an inch.  Preferred lengths are tabulated in the standard.</p> <p>Finish code  Alloy steel: P = Cadmium plate  No suffix for black oxide</p> <p>CRES steel: P = Cadmium plate  No suffix for passivate</p> <p>Heat-resistant steel: S = Silver plate  No suffix for passivate  B = Black oxide</p>						

075-2.5.1.3 Authorized Socket-Head Capscrew Substitutions. The following substitutions are authorized for non-nuclear applications.

1. NAS 1351 and NAS 1352.
  - a. NAS 1351 and NAS 1352 cadmium-plated high-strength alloy steel socket-head capscrews for the equivalent cadmium- and zinc-plated capscrews identified in paragraph [075-2.5.1.1.1](#)
  - b. When rusting of high-strength alloy steel is a problem, substitution of heat and corrosion resistant (A-286 Steel) capscrews per NAS 1351 and NAS 1352 is authorized. (The slightly lower strength is considered to have minimal impact on shock resistance.) The part number for the heat-resistant capscrew is the same as for alloy steel except that the dash (-) in the part number is replaced by an N. This letter N is also found on the head of the fastener for identification purposes. In addition, the last letter of the part number suffix may change to designate a surface finish change. Heat and corrosion resistant capscrews should be silver-plated or have dry film lubricant per MIL-L-46010 applied to minimize the possibility of galling with thread inserts or metals of similar hardness. The silver plate is designated by the suffix letter 5, as shown in the example in Table [075-2-3](#). Dry film lubricant should not be applied to heat and corrosion resistant fasteners where the operating temperature is above 650°F.
  - c. Replacement of MS corrosion resisting (CRES) capscrews with NAS 1351 and NAS 1352 corrosion resisting (CRES) and Heat and Corrosion Resistant steel capscrews of the same size.
  - d. Capscrews identified by size and Electric Boat/General Dynamics (EB/GD) specification 1890 and carrying identification marks S-130 (alloy steel, 160,000 psi minimum tensile strength), and S-150 (alloy steel, 170,000 psi minimum tensile strength) can be replaced by equivalent size NAS 1351 and NAS 1352 capscrews of either cadmium plated alloy steel or heat resisting steel.
2. Example of authorized socket head capscrew substitution: Replace MS24678-57 cadmium plated alloy steel capscrew:
  - a. Reference to MS24678 or logistic system technical data for MS24678-57 indicates this capscrew is 1.000 inch long with 1/2-20 UNF-3A threads.
  - b. Using Table [075-2-3](#), the equivalent NAS capscrew is: NAS1351 - 8 H 16 P = .500-20 UNRF-3A socket-head capscrew, alloy steel, drilled head, 1.00 inch long, cadmium plated.
  - c. The equivalent NAS heat and corrosion resisting fastener is: NAS1351 N 8 H 16 S = .500-20 UNRF-3A socket head cap, heat resisting steel, drilled head, 1.00 inch long, silver plated.

075-2.5.1.4 Socket-Head Capscrew Substitution Requiring NAVSEA Approval. The following substitutions require specific NAVSEA approval:

1. Substitution of lower strength, corrosion-resistant steel (CRES) socket-head capscrews for higher strength alloy or heat-resistant steel capscrews in applications subject to MIL-S-901, HI-Shock Requirements. For applications not subject to MIL-S-901 shock requirements, verify capscrew suitability, using the procedure illustrated in paragraph [075-4.5.1.2](#) through Paragraph [075-4.5.1.2.3](#) to find required torque. The lower strength capscrew may be used only if the torque required does not exceed that recommended in Table [075-4-1](#) for the CRES capscrews. (See Table [075-4-1](#) column marked 30,000 lb/in<sup>2</sup> for CRES torque values.)
2. Substitution of a black-oxide-coated alloy steel socket-head capscrew for one of any other material or coating except for temporary emergency use.

075-2.5.1.5 Identification of Socket Head Capscrews. Socket head capscrews made of different materials and with different coatings may appear similar but have significant differences in strength and other properties. Therefore, the material and coating should be confirmed by (1) verifying documentation for new screws to be installed and (2) verifying the head marking and magnetic properties in accordance with Table [075-2-4](#).

**CAUTION**

**When using NAS 144 through 158 and NASM20004 through NASM20024 bolts, verify that the threaded length of the bolt is satisfactory for the application.**

075-2.5.2 INTERNAL WRENCHING BOLTS. These fasteners are similar to the socket head capscrews identified above but have unique characteristics that prevent their direct substitution for socket-head capscrews. The procurement specifications for these bolts are NAS 159 and NASM 7838 (replacing MIL-B-7838). Only NASM-7838 fasteners shall be used for new design; they are preferred for replacement. The dimensional standards for the bolts are NAS 144 through 158 and NASM20004 through NASM20024 (replacing MS20004 through MS20024). These bolts have a relatively large radius between the head and the shank for better fatigue resistance, which precludes use of standard flat washers.

**CAUTION**

**Install these bolts using a countersunk washer only. Using a standard washer can induce high stress at the radius between the head and the shank, which will result in bolt failure. Install the bolts with one of the countersunk washers identified in paragraph 075-2.6.1**

**Table 075-2-4. SOCKET HEAD CAPSCREW MATERIAL IDENTIFICATION**

Material	Magnetic	Marking
Alloy Steel (cadmium, zinc or black oxide coated) (tensile strength > 150,000 psi)	Yes	None
Austenitic (series 300) CRES, (passivated or cadmium plated) (tensile strength 70,000 psi, yield strength 30,000 psi)	No (May be slightly magnetic)	None
Heat & Corrosion Resisting Steel (passivated or silver or black oxide coating) (tensile strength 160,000 psi)	No	"N" on head
Ni-Cu-Al (K-monel) (uncoated) (tensile strength 130,000 psi, yield strength 90,000 psi)	No	"Ni-Cu" K or ".K."

075-2.5.2.1 Distinguishing Internal Wrenching Bolts from Socket-Head Capscrews. Because the internal wrenching bolts require countersunk washers, it is important to be able to readily distinguish them from socket-head capscrews. The capscrews have cylindrical heads. The internal wrenching bolt heads are shaped like truncated cones; that is, the side of the head is tapered, with a larger diameter at the bottom of the head than at the top.

075-2.5.2.2 Identification Marking of Internal Wrenching Bolts. The only identification marking on the NAS bolts is an R to indicate rolled threads, although some may be marked with a part number. The NAS 7838 bolts are marked with the part number.

075-2.5.2.3 Restrictions on Using Internal Wrenching Bolts. The following restrictions apply to use of internal wrenching bolts:

1. The bolts must be used only with one of the countersunk washers identified in paragraph 075-2.6.1. The countersink in the washer must face the head of the bolt.

2. Except for emergency use, internal wrenching bolts must not be substituted for socket head or hex-head cap-screws unless approved by NAVSEA. In general, approval will be limited to applications where drawings and other technical documentation are revised to reflect the change. Another reason for NAVSEA approval is that many of the currently available internal wrenching bolts are not threaded for a sufficient length to use in many hydraulic components, particularly where the bolts are threaded into inserts in aluminum valve bodies.

**075-2.5.3 HEXAGON-HEAD CAPSCREWS.** Hexagon-head capscrews are covered by Federal Specification FF-S-85 Screw, Cap, Slotted and Hexagon Head. For military applications, the capscrews must be in accordance with the appropriate military standard (see Table [075-2-6](#)). When identifying replacement capscrews, be sure that the replacement is as strong as the original. If the strength of the original cannot be determined, select a replacement of the same material with the highest strength. Although some of the military standards in Table [075-2-6](#) have been superseded by ASME B18.2.1 Part Identifying Numbers, replacement capscrews can be ordered from the supply system by either the superseded MS numbers or by the ASME B18.2.1 part identifying numbers. The cancellation notices provide a cross reference between the MS and ASME part numbers.

**075-2.5.3.1 ASME B18.2.1 Part Numbering System.** The part numbering system is fully described in the Supplement to ASME B18.2.1, Bolts and Screws, Inch Series. For example, B1821BH050C125N is the part number for a 1/2-inch diameter hexagon head, zinc-coated alloy steel capscrew with coarse threads and 1-1/4 inches long. To understand this part number, break it down into its elements and examine each element, as shown in table [075-2-5](#).

**075-2.5.3.2 Zinc and Cadmium Plated Hex Head Capscrews.** Zinc and cadmium plated hexagon head capscrews may be ordered by either Military Standard (MS) part numbers or American Society of Mechanical Engineers (ASME) B 18.2.1 part numbers. Applicable standards are:

MS 51491 Steel Grade 5/Zinc plated UNC-2A Threads

MS 90725 Steel Grade 5/Cadmium plated UNC-2A, Plain Head

MS 90726 Steel Grade 5/Cadmium plated UNF-2A, Plain Head

ASME B18.2.1 Steel Grade 8/Zinc plated replaces: MS 18153 Steel Grade 5/Cadmium plated UNF-2A Plain (drilled for lockwire) and Self-locking

**Table 075-2-5.** ASME B18.2.1 Part Numbering System Example

	B1821	B	H	050	C	125	N
Document identifier: B1821 = ASME B 18.2.1							
Material and Finish: B = alloy steel Grade 8 with zinc coating A = alloy steel Grade 8 with cadmium plating							
Fastener Configuration: H = hexagon head							
Nominal Diameter: 050 = diameter in 100ths of an inch (0.50)							
Thread Designation: C = UNC thread form (coarse) F = UNF thread form (fine)							
Nominal Length: 125 = the length in 100ths of an inch (1.25)							
Special Features Code: N = None D = Drilled head for lockwire L = Self-locking C = Drilled head and self-locking							

MS 18154 Steel Grade 5/Cadmium plated UNC-2A Plain (drilled for lockwire) and Self-locking

MS 90727 Steel Grade 8/Cadmium plated UNF-2A, Plain and Self-locking

MS 90728 Steel Grade 8/Cadmium plated UNC-2A, Plain and Self-locking

The MS numbers replaced by ASME B18.2.1 are still recognized by the supply system but the Defense Supply Center may supply Grade 8 zinc plated capscrews in lieu of the replaced Grade 5 and Grade 8 cadmium plated screws.

**WARNING**

**Wash hands thoroughly after working with cadmium-plated tools or parts to avoid poisoning from ingestion of cadmium.**

### CAUTION

**Do not use zinc or cadmium-plated parts in any hydraulic unit where they may come in contact with hydraulic oil. These coatings react chemically with hydraulic fluid to the detriment of system operation. This restriction does not prohibit the use of zinc or cadmium-plated parts such as nuts, bolts, and screws where they are external to the hydraulic unit if there is no danger of fluid contamination.**

075-2.5.3.3 Restrictions on the Use of Grade 8, Zinc Plated Hex Head Capscrews. The Grade 8, 150,000 psi tensile strength, zinc plated hex head capscrews described in paragraph 075-2.5.3.1 and paragraph 075-2.5.3.2 may be susceptible to hydrogen embrittlement failure if the fasteners are highly stressed in service and exposed to severely corroding conditions. For standardization purposes, the Defense Supply Center has been supplying Grade 8 bolts for several years in support of the following Military Standards for lower strength bolts:

MS18153	MS35764
MS18154	MS90725
MS35763	

The use of the Grade 8 zinc plated fasteners are subject to the following restrictions:

1. The fasteners shall not be used in applications where they would be subject to submergence, wet spaces, or the weather.
2. When replacing a lower strength (Grade 2 or Grade 5) fastener with a Grade 8 fastener, the installation torque for the Grade 8 fastener shall be limited to that for the lower strength fastener being replaced.

### CAUTION

**When substituting Grade 8 fasteners for Grade 5 fasteners, use the Grade 5 fastener torque to preload the fastener. Do not use the Grade 8 torque, or you risk damaging the fastened material by applying too much preload. Replacement of Grade 2 or 5 fasteners with Grade 8 fasteners should be treated as a temporary repair, permitted only until the correct grade fasteners can be procured and installed.**

## 075-2.6 WASHERS.

075-2.6.1 IDENTIFYING REPLACEMENT WASHERS. The procedures for identifying replacement fasteners, in general, apply to identifying replacement washers. While Military Standard MIL-STD-1764 ( **Washers, Preferred for Design, Listing of** ) has been canceled without replacement, it can still be useful. It lists many different types of washers and includes drawings, part numbers and dimensions, which will aid in identifying washers for both new design and replacement. Table 075-2-7 identifies the flat and countersunk washer part numbers that most often apply to hydraulic equipment. Only cadmium-plated steel washers are included in the table. See table 075-2-8 to interpret NAS 1149 part numbers.

**Table 075-2-6. FF-S-85 HEXAGON-HEAD CAPSCREWS**

Dimensional Standard	Thread Type	Thread Diameter (in.)	Length <sub>1</sub> (in.)	Material	Tensile Strength (ksi)	Remarks
MS18153 <sub>2</sub>	UNF-2A	1/4 through	0.375 to 6.0	Alloy-steel Grade 8	150	Drilled for lockwire
MS18154 <sub>2</sub>	UNF-2A	1				
MS35307	UNC-2A	1/4 through	0.375 to 6.0	CRES	70	Undrilled
MS35308	UNF-2A	1-1/4				
MS35309	UNC-2A	1/4 through	0.375 to 6.0	Naval Brass	60 (over 1" 58)	Undrilled
MS35310	UNF-2A	1-1/4				
MS51095	UNC-2A	1/4 through	0.375 to 6.0	Alloy-steel Grade 5	120	Drilled for lockwire
MS51096	UNF-2A	1-1/4				
MS51105	UNC-2A	1/4 through	0.375 to 6.0	Alloy-steel Grade 5	120	Shank drilled for cotter pin
MS51106	UNF-2A	1				
MS51109	UNC-2A	1/4 through	0.375 to 6.0	CRES	70	MS51110
MS51110		1				
MS51490	UNF-2A	1/4 through 3/4	0.75 to 3.0	Medium carbon steel Grade 5	120	Finished hex bolt, zinc plated
MS51491	UNC-2A	1/4 through 1-1/4	0.5 to 6.0	Medium carbon steel Grade 5	120 (over 1" 105)	
MS90725	UNC-2A	1/4 through 2-1/2	0.375 to 6.0	Medium carbon steel Grade 5	120 (over 1" 105) (over 1-1/2" 90)	Finished hex bolt, cadmium plated
MS90726	UNC-2A	1/4 through 1-1/2	0.375 to 6.0	Medium carbon steel Grade 5	120 (over 1" 105)	Finished hex bolt, cadmium plated
MS90727 <sub>2</sub>	UNF-2A	1/4 through -1/2	0.375 to 6.0	Alloy-steel Grade 8	150	Plain or self-locking
MS90728 <sub>2</sub>	UNF-2A	1/4 through 2-1/2				L-suffix for self-locking

1 Available lengths vary with each screw diameter. See dimensional standard for complete listing of Thread Types, Diameters, and Lengths.

2 These standards have been cancelled, but the MS part numbers may be used to order replacement screws (see paragraph 075-2.5.3).

**Table 075-2-7. PART NUMBERS FOR COMMONLY USED ROUND WASHERS**

Thread Size (Nominal Diameter, In.)	Alloy Steel - Cadmium Plate		Carbon Steel - Cadmium Plate Flat	
	Countersunk	Plain (flat) <sub>1</sub>	Part No.	Thickness (in.)
No. 6			NAS1149FN432P	.032
No. 8			NAS1149FN532P	.032
No. 10			NAS1149F0363P	.063
1/4	MS20002C4	MS20002-4	NAS1149F0463P	.063
5/16	MS20002C5	MS20002-5	NAS1149F0563P	.063
3/8	MS20002C6	MS20002-6	NAS1149F0663P	.063
7/16	MS20002C7	MS20002-7	NAS1149F0763P	.063
1/2	MS20002C8	MS20002-8	NAS1149F0863P	.063
9/16	MS20002C9	MS20002-9	NAS1149F0963P	.063

**Table 075-2-7. PART NUMBERS FOR COMMONLY USED ROUND  
WASHERS - Continued**

Thread Size (Nominal Diameter, In.)	Alloy Steel - Cadmium Plate		Carbon Steel - Cadmium Plate Flat	
	Countersunk	Plain (flat) <sup>1</sup>	Part No.	Thickness (in.)
5/8	MS20002C10	MS20002-10	NAS1149F1063P	.063
3/4	MS20002C12	MS20002-12	NAS1149F1290P	.090
7/8	MS20002C14	MS20002-14	NAS1149F1490P	.090
1	MS20002C16	MS20002-16	NAS1149F1690P	.090
1-1/8	MS20002C18	MS20002-18	NAS1149F1890P	.090
1-1/4	MS20002C20	MS20002-20	NAS1149F2090P	.090
1-3/8	MS20002C22	MS20002-22		
1-1/2	MS20002C24	MS20002-24		
1 Thickness is 0.062 inches				

**Table 075-2-8. NAS 1149 PART NUMBERING SYSTEM FOR ROUND WASHERS**

NAS 1149	C	08	32	B
National Aerospace Standard No. 1149				<p><b>Finish Code:</b></p> <p><b>Alloy Steel</b> P = Cadmium Plate</p> <p><b>Aluminum Alloy</b> H = None K = Anodize J = Chemical Treat</p> <p><b>Brass</b> H = None</p> <p><b>Carbon Steel</b> B = Black Oxide P = Cadmium</p> <p><b>CRES</b> B = Black Oxide</p> <p><b>CHRES (A286)</b> P = Cadmium Plate R = Passivate</p> <p><b>Titanium (Commercially Pure)</b> L = Anodize</p> <p><b>Titanium 6AL-4V</b> M = Anodize</p>
<p><b>Material Code:</b></p> <p>G = Alloy Steel D = Aluminum Alloy B = Brass, Copper Alloy No. 260 F = Carbon Steel C = Corrosion Resistant Steel (CRES) E = Heat and Corrosion Resistant Steel (CHRES) ASTM A286 T = Titanium (Commercially Pure) V = Titanium 6AL-4V</p>				
<p><b>Diameter Code:</b> N2 through N9 = size numbers 2 through 9 per NAS table 03 through 40 = nominal diameter in sixteenths of an inch (sizes 0.188 and larger) per NAS table</p>				
<p><b>Thickness Code:</b></p>				
<p>16 = 0.016 inch thickness 32 = 0.032 inch thickness 63 = 0.063 inch thickness (sizes No. 10 through 0.625, excluding No. 11) 90 = 0.090 inch thickness (sizes 0.750 through 2.500)</p>				

**NOTE: NAS 1149 supersedes AN 960**

075-2.6.2 COUNTERSUNK WASHERS (SINGLE SURFACE). Countersunk washers must be used with the internal wrenching bolts described in paragraph 075-2.5.2. The countersunk face of the washer must be placed under the bolt head to prevent the development of damaging stresses at the head-to-shank fillet radius of the bolt. Table 075-2-7 lists part numbers for both flat (plain) and countersunk washers (one surface) to MS20002 (alloy steel, cadmium plate). CRES countersunk washers (one surface) are available to NAS 1587.

075-2.6.3 COUNTERSUNK WASHERS (TWO SURFACES). Washers with both surfaces countersunk are available to part numbers in accordance with MS9482, **Steel-Diffused Nickel Cadmium Plate** ; MS9768, **CRES** ; MS14155, **Alloy Steel, Cadmium Plate** ; and MS14177, **Alloy Steel, Cadmium Plate** . Washers with both surfaces countersunk are usually thicker than washers with only a single surface countersunk. Therefore, do not substitute the two-surface countersunk washers for thinner washers without an engineering analysis to determine that sufficient thread engagement will be maintained. The double countersunk washers may sometimes be substituted when the available replacement fastener is slightly longer than desired, since the increased thickness may prevent the fastener from bottoming in a tapped hole.

**Table 075-2-9. ZINC-PLATED STEEL NUTS**

Procurement/Dimensional Specification	Part Identification Number (PIN)	Thread Sizes (in.)	Type and Material
FF-N-845/MS51468	MS51468-01	.164-32UNC-2B	Plain wing nut of carbon steel with a tensile strength of 50,000 psi
	MS51468-02	.250-20UNC-2B	
	MS51468-03	.3125-18UNC-2B	
	MS51468-04	.373-16UNC-2B	
	MS51468-05	.500-13UNC-2B	
FF-N-836/MS51469	MS51469-01	.086-56UNC-2B	Plain hexagon nut (machine screw) of carbon steel
	MS51469-02	.138-32UNF-2B	
	MS51469-03	.164-32UNF-2B	
FF-N-836/MS51470	MS1470-01	.112-48UNF-2B	Plain hexagon nut (machine screw) of carbon steel
	MS1470-02	.138-40UNF-2B	
	MS1470-03	.190-32UNF-2B	
FF-N-836/MS51471	MS51471-03	.500-13UNC-2B	Plain hexagon nut (jam) of carbon B carbon steel
FF-N-836/MS51472	MS51472-01	.500-13UNC-2B	Plain hexagon nut of grade B carbon steel
	MS51472-02	1.000-8UNC-2B	
FF-N-836/MS51473	MS51473-01	.250-28UNF-2B	Plain hexagon nut of grade B carbon steel
	MS51473-02	.3125-24UNF-2B	
	MS51473-03	.4375-20UNF-2	
	MS51473-04	.500-20UNF-2B	
	MS51473-05	.5625-18UNF-2B	
	MS51473-06	.750-16UNF-2B	
	MS51473-07	.875-14UNF-2B	

075-2.6.4 LOCKWASHERS. Although lockwashers may be encountered, using the flat washers with self-locking nuts, self-locking fasteners, self-locking inserts, or thread sealants such as MIL-S-22473 anaerobic compounds is preferable. Follow the procedures in paragraph [075-2.6.1](#) to identify replacement lockwashers. (Also, see Table [075-5-2](#).)

### 075-2.7 ZINC-PLATED STEEL NUTS AND WASHERS.

Standards that contain part numbers for zinc-plated steel nuts are identified in Table [075-2-9](#), and part numbers for washers in Table [075-2-10](#). These zinc-plated steel nuts and washers are to be used only when the applicable drawings specify this material.

**Table 075-2-10. ZINC-PLATED STEEL WASHERS**

Part Identification Number (PIN)	Nominal Washer Size		Inside Diameter (Basic), Inch	Outside Diameter (Basic), Inch	Thickness (Basic), inch
	No.	Inch			
MS51412-1	No. 6	0.138	0.156	0.375	0.049
MS51412-18	No. 8	0.164	0.188	0.438	0.049
MS51412-2	No. 10	0.190	0.219	0.500	0.049
MS51412-3	3/16	0.188	0.250	0.562	0.049
MS51412-4	1/4	0.250	0.281	0.625	0.065
MS51412-5	1/4	0.250	0.312	0.734	0.065
MS51412-6	5/16	0.313	0.375	0.875	0.083
MS51412-7	3/8	0.375	0.438	1.000	0.065
MS51412-8	7/16	0.438	0.500	1.250	0.083
MS51412-9	1/2	0.500	0.531	1.062	0.095
MS51412-10	1/2	0.500	0.562	1.375	0.109
MS51412-11	3/8	0.625	0.656	1.312	0.095
MS51412-12	3/8	0.625	0.688	1.750	0.134
MS51412-13	3/4	0.750	0.812	1.469	0.134
MS51412-14	3/4	0.750	0.812	2.000	0.148
MS51412-15	1	1.000	1.062	2.500	0.165
MS51412-16	1-1/4	1.250	1.375	3.000	0.165
MS51412-17	1-1/2	1.500	1.625	3.500	0.180

**075-2.8 THREAD INSERTS.**

075-2.8.1 The term thread insert refers to a threaded piece inserted into a tapped hole to form standard size internal threads.

**NOTE**

Use of thread inserts in MIC LEVEL I/SUBSAFE applications is prohibited unless specifically required by component drawings. Waivers of this prohibition for repair may be sought from NAVSEA on a case-by-case basis.

**NOTE**

For systems and equipment in nuclear propulsion plants and nuclear support facilities, the use of thread inserts shall be in accordance with Section 9090-3 of the appropriate **General Reactor Plant Overhaul and Repair Specification** and Section 075 of the **Destroyer Tender and Submarine Tender Nuclear Support Facility Overhaul and Repair Specifications**.

075-2.8.2 **PURPOSE OF THREAD INSERT.** Thread inserts are used to restore damaged threads in castings or forgings and to protect and strengthen tapped threads in light materials such as plastic and wood and low-shear-strength metals such as aluminum. Thread inserts are typically used in tapped holes for bolting flanges to aluminum valve bodies and valve bodies to aluminum subplates. In repair applications, inserts are used to restore damaged tapped holes or existing damaged inserts previously installed in tapped holes.

075-2.8.3 TYPES OF THREAD INSERTS. Thread inserts used in Naval applications are of two approved types - helical-coil in accordance with MIL-I-8846 and thin wall in accordance with MIL-I-45932. The helical-coil insert (Figure 075-2-1) consists of a diamond-shaped wire wound in the shape of a helical-coil. The outside diameter of this coil is designed to mate with a drilled and tapped hole sized for each application. The thin wall insert (Figure 075-2-2) is a bushing with a standard size internal thread and an external thread of a larger standard size for which the mating hole has been drilled and tapped. The helical-coil insert is held in place by the natural spring action of the coil. The thin wall insert is held in place by expanding the upper two external threads that are serrated to dig into a prepared portion of the hole. Variations are available for both types of inserts with regard to internal thread size and class, internal thread locking features, external locking features to positively retain the inserts, length of inserts, oversized inserts to simplify repair applications, and insert materials.

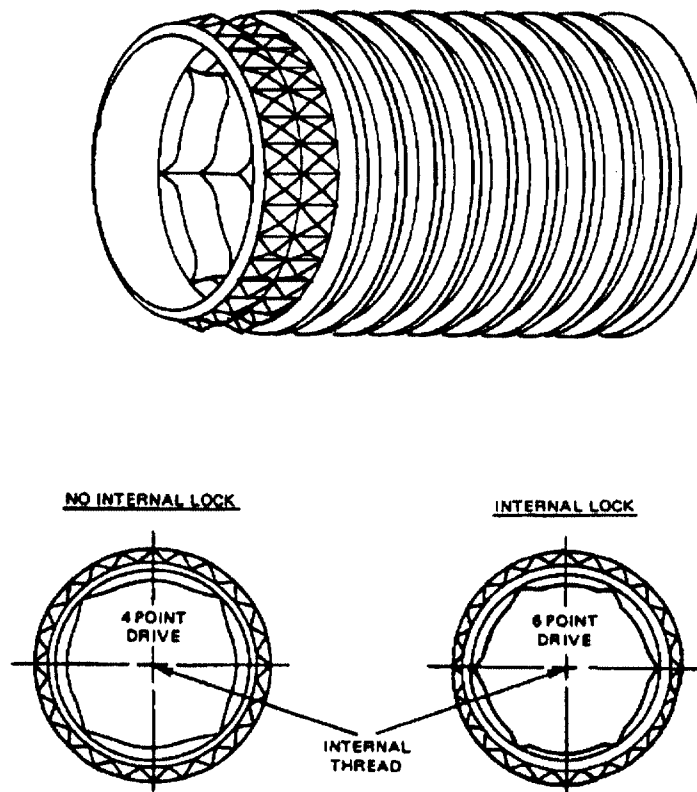


Figure 075-2-1. Helical Coil Inserts

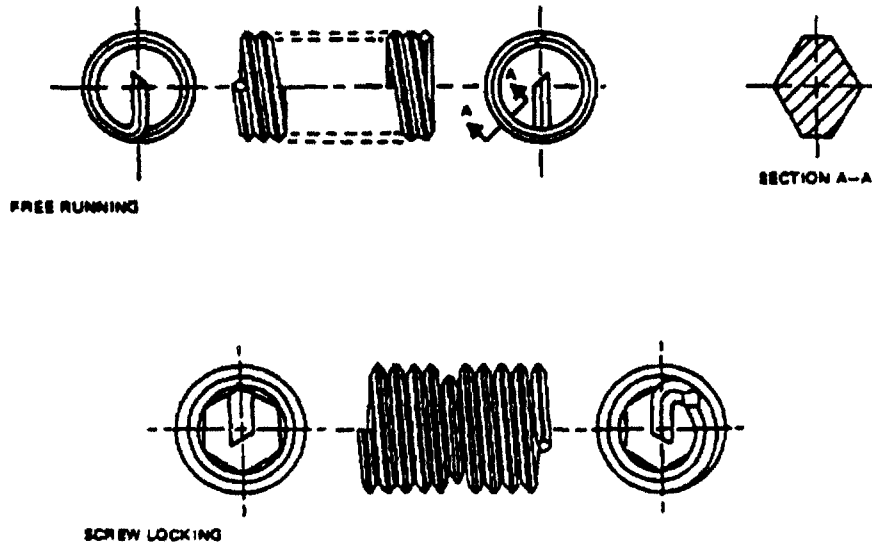


Figure 075-2-2. Typical Thin Wall Inserts

075-2.8.4 HELICAL-COIL THREAD INSERTS. The purpose of the following paragraph on helical-coil inserts is to provide a basic knowledge and general instructions on the use of this type insert, as well as the necessary tools and repair kits needed to repair parts with worn or stripped threads. Helical-coil thread inserts are precision formed coils of diamond-shaped wire used as screw thread bushings. They are available in unified coarse, unified fine, taper pipe, 14 millimeter and 18 millimeter metric thread sizes. The installation process is simple and requires three basic steps: drilling, tapping, and installing; however, it is necessary to have the correct size drills, taps, inserts, and special tools (Figure 075-2-3). Identification of all of these parts to ensure the correct combination is available for any given installation is beyond the scope of this manual. Thorough instructions are provided in manufacturer's literature as well as in repair kits for a specific thread size and master kits containing several sizes of inserts, taps, and tools. Repair kits, individual inserts, and special taps and tools are available in the stock system for popular thread sizes. Major manufacturers of helical-coil inserts are Heli-Coil Products for **Heli-Coil** inserts and Microdot Products for **Permathread** inserts. Other helical-coil inserts may also be acceptable. NSWCCD has determined that Tool Components Inc. **E-Z Lok** Division (CAGE 9Y216) E-Z Lok threaded inserts are acceptable for Navy use. Activities involved in the installation of helical-coil inserts should obtain a copy of technical manual **General Installation of Heli-Coil Inserts**, U.S. Air Force T.O. 44H1-1-117, NAVWEPS 02-1-19.

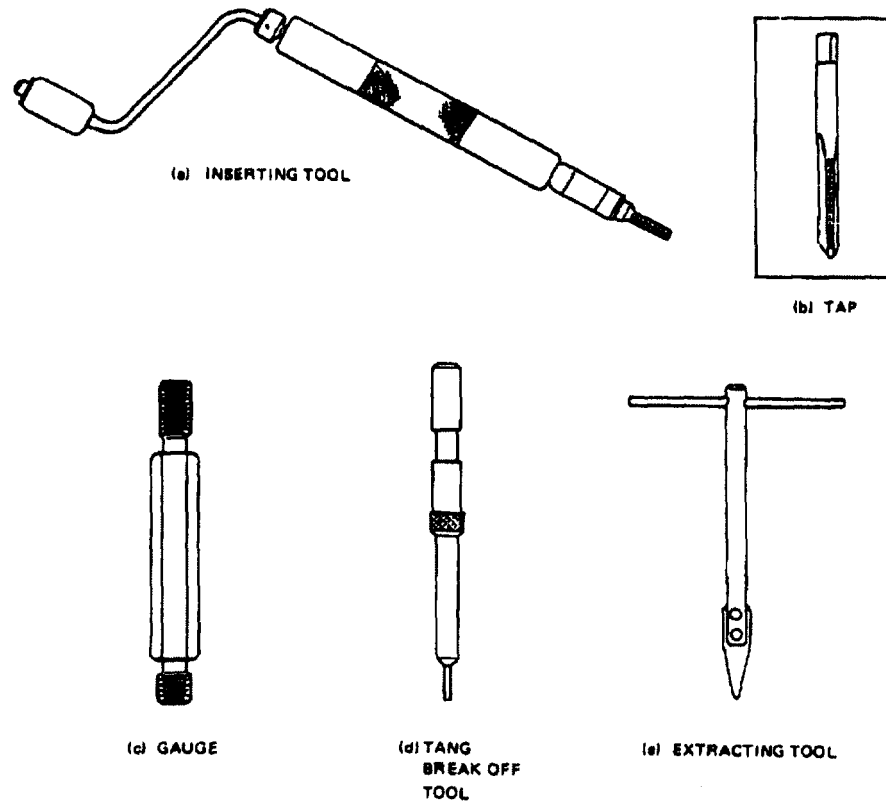


Figure 075-2-3. Typical Helical Coil Insert Repair Tools

075-2.8.4.1 Selection of Insert. The thread size of the removed fastener will determine the size of insert and repair kit required. The repair kit contains the thread tap for the insert's outside diameter, several stainless steel inserts of the desired size that are 1-1/2 times the nominal diameter in length, an installation tool, and instructions. If the insert length needed is different from those supplied in the kits (Table 075-2-11), inserts can be bought separately from the manufacturer or the stock system. (See Table 075-2-12 through Table 075-2-15)

A partial listing of available helical-coil inserts is also provided in the Afloat Shopping Guide, Class 5340. Determine from the extracted insert whether it was free running or of the screw-locking type. Even in a partially mutilated state, the grip coil of the screw-locking insert can be identified by its non-circular (polygonal) configuration in the middle section of the insert. Replace the screw-locking insert only by a screw-locking insert. Screw-locking inserts are usually colored red for identification purposes. Repair kits contain inserts that are usually either all free running type or all locking type. In determining insert size, measuring the length and diameter of the insert in its free state is not an adequate indication of those dimensions of the installed insert. Therefore, the old insert, damaged or otherwise, cannot be measured to determine the full thread depth of the hole. The tapped hole is used to determine full thread depth. When ordering metric series inserts or repair kits, coarse or fine, also state both diameter and pitch of the threads, such as M18X2.5 (coarse) or M18X1.5 (fine).

**Table 075-2-11. NATIONAL STOCK NUMBER LISTING MODULAR FIELD SERVICE THREAD REPAIR PACKS**

Unified Coarse			Unified Fine		
Thread Size	Heli-Coil Part Number	NSN 5180-00-	Thread Size	Heli-Coil Part Number	NSN 5180-00-
#2-56	4131-02-1		#3-56	4132-03-1	
#3-48	4131-031-1		#4-48	4132-041-1	
#4-40	4131-04-1	054-7506			
#5-40	4131-05-1	054-7524			
#6-32	4131-06-1	054-7507	#6-40	4132-06-1	054-7525
#8-32	4131-2-1	935-0730	#8-36	4132-2-1	
#10-24	4131-3-1	935-0731	#10-32	4132-3-1	935-0735
#12-24	4131-1-1	054-7526			
1/4-20	4131-4-1	935-0732	1/4-28	4132-4-1	935-0736
5/16-18	4131-5-1	935-0733	5/16-24	4132-5-1	935-0737
3/8-16	4131-6-1	935-0734	3/8-24	4132-6-1	935-0738
7/16-14	4131-7-1	054-7503	7/16-20	4132-7-1	935-9739
1/2-13	4131-8-1	051-5024	1/2-20	4132-8-1	054-7505
9/16-12	4131-9-1	059-4829	9/16-18	4132-9-1	054-7516
5/8-11	4131-10-1	054-7514	5/8-18	4132-10-1	054-7512
3/4-10	4131-12-1	051-5025	3/4-16	4132-12-1	054-7513
7/8-9	4131-14-1	054-7515	7/8-14	4132-14-1	054-7519
1-8	4131-16-1	051-5026	1-12	4132-16-1-1	054-7520
			1-14	4132-16-1	054-7521
1 1/8-7	4131-18-1	054-7527	1 1/8-12	4132-18-1	054-7522
1 1/4-7	4131-20-1	054-7528	1 1/4-12	4132-20-1	054-7523
1 3/8-6	4131-22-1	051-5027	1 3/8-12	4132-22-1	051-5028
1 1/2-6	4131-24-1	051-5030	1 1/2-12	4132-24-1	054-7529
#8-32	4146-2-1	832-4906	#10-32	4147-3-1	832-4911
#10-24	4146-3-1	832-4907	1/4-28	4147-4-1	832-4912
1/4-20	4146-4-1	832-4907	5/16-24	4147-5-1	832-4913
5/16-18	4146-5-1	089-8132	3/8-24	4147-6-1	832-4914
3/8-16	4146-6-1	832-4910	7/16-20	4147-7-1	832-4915

**Table 075-2-12. PART NUMBERS FOR HELICAL - COIL INSERTS - FREE RUNNING, COARSE THREAD (1-1/2 AND 2 DIAMETER LENGTHS)**

Thread Size	Length Inches	MS Part Number	National Stock Number	Heli-Coil Part Number	Perma-Thread Part Number
#2-56	.129	122135	5340-00-997-6886	1185-02CN-0129	208-C02-0129
#2-56	.172	122175	5340-00-834-8372	1185-02CN-0172	208-C02-0172
#3-48	.148	122155		1185-013CN-0148	208-C03-0148
#3-48	.198	122195		1185-013CN-0198	208-C03-0198
#4-40	.168	122116	5340-00-842-5920	1185-04CN-0168	208-C04-0168
#4-40	.224	122156	5340-00-825-8215	1185-04CN-0224	208-C04-0224
#5-40	.188	122117	5340-00-619-3138	1185-05CN-0188	208-C05-0188
#5-40	.250	122157		1185-05CN-0250	208-C05-0250
#6-32	.207	122118	5340-00-682-1520	1185-00CN-0207	208-C06-0207
#6-32	.276	122158	5340-00-825-4826	1185-00CN-0276	208-C06-0276

**Table 075-2-12. PART NUMBERS FOR HELICAL - COIL INSERTS -  
FREE RUNNING, COARSE THREAD (1-1/2 AND 2 DIAMETER  
LENGTHS) - Continued**

Thread Size	Length Inches	MS Part Number	National Stock Number	Heli-Coil Part Number	Perma-Thread Part Number
#8-32	.246	122119	5340-00-297-3841	1185-2CN-0246	208-C08-0246
#8-32	.328	122159	5340-00-290-4509	1185-2CN-0328	208-C08-0328
#10-24	.285	122120	5340-00-597-3304	1185-3CN-0285	208-C1-0285
#10-24	.380	122160	5340-00-290-4478	1185-3CN-0380	208-C1-0380
1/4-20	.375	122121	5340-00-290-4481	1185-4CN-0375	208-C4-0375
1/4-20	.500	122161	5340-00-286-2458	1185-4CN-0500	208-C4-0500
5/16-18	.469	122122	5340-00-290-4521	1185-5CN-0469	208-C5-0469
5/16-18	.625	122162	5340-00-290-4520	1185-5CN-0625	208-C5-0625
3/8-16	.562	122123	5340-00-290-4518	1185-6CN-0562	208-C6-0562
3/8-16	.750	122163	5340-00-990-7175	1185-6CN-0750	208-C6-0750
7/16-14	.656	122124	5340-00-290-4506	1185-7CN-0656	208-C7-0656
7/16-14	.875	122164	5340-00-290-5638	1185-7CN-0875	208-C7-0875
1/2-13	.750	122125	5340-00-290-4504	1185-8CN-0750	208-C8-0750
1/2-13	1.000	122165	5340-00-990-7158	1185-8CN-1000	208-C8-1000
9/16-12	.844	122126	5340-00-290-4493	1185-9CN-0844	208-C9-0844
9/16-12	1.125	122166	5340-00-993-7245	1185-9CN-1125	208-C9-1125
5/8-11	.938	122127	5340-00-290-4494	1185-10CN-0938	208-C10-0938
5/8-11	1.250	122167	5340-00-807-3488	1185-10CN-1250	208-C10-1250
3/4-10	1.125	122128	5340-00-045-2812	1185-12CN-1125	208-C12-1125
3/4-10	1.500	122168	5340-00-721-8356	1185-12CN-1500	208-C12-1500
7/8-9	1.312	122129	5340-00-682-2216	1185-14CN-1312	208-C14-1312
7/8-9	1.750	122169	5340-00-664-8332	1185-14CN-1750	208-C14-1750
1-8	1.500	122130	5340-00-530-5603	1185-16CN-1500	208-C16-1500
1-8	2.000	122170	5340-00-998-7246	1185-16CN-2000	208-C16-2000
1 1/8-7	1.688	122131	5340-00-059-2372	1185-18CN-1688	208-C18-1688
1 1/8-7	2.250	122171	5340-00-059-2373	1185-18CN-2250	208-C18-2250
1 1/4-7	1.875	122132	5340-00-059-2375	1185-20CN-1875	208-C20-1875
1 1/4-7	2.500	122172	5340-00-619-8208	1185-20CN-2500	208-C20-2500
1 3/8-6	2.062	122133	5340-00-059-2377	1185-22CN-2062	208-C22-2062
1 3/8-6	2.750	122173	5340-00-059-2378	1185-22CN-2750	208-C22-2750
1 1/2-6	2.250	122134	5340-00-059-2380	1185-24CN-2250	208-C24-2275
1 1/2-6	3.000	122174	5340-00-059-2381	1185-24CN-3000	208-C24-3000

**Table 075-2-13. PART NUMBERS FOR HELICAL - COIL INSERTS -  
FREE RUNNING, FINE THREAD (1-1/2 AND 2 DIAMETER LENGTHS)**

Thread Size	Length Inches	MS Part Number	National Stock Number	Heli-Coil Part Number	Perma-Thread Part Number
#3-56	.148	124710		1191-03CN-0148	208-F03-0148
#3-56	.198	124750		1191-03CN-0198	208-F03-0198
#4-48	.168	124711		1191-041CN-0168	208-F04-0168
#4-48	.224	124751		1191-041CN-0224	208-F04-0224

**Table 075-2-13. PART NUMBERS FOR HELICAL - COIL INSERTS -  
FREE RUNNING, FINE THREAD (1-1/2 AND 2 DIAMETER LENGTHS) -**

Continued

Thread Size	Length Inches	MS Part Number	National Stock Number	Heli-Coil Part Number	Perma-Thread Part Number
#6-40	.207	124693		1191-06CN-0207	208-F06-0207
#6-40	.276	124733	5340-00-045-3555	1191-06CN-0276	208-F06-0276
#8-36	.246	124694	5340-00-141-6688	1191-2CN-0246	208-F08-0246
#8-36	.328	124734		1191-2CN-0328	208-F08-0328
#10-32	.285	124695	5340-00-597-3302	1191-3CN-0285	208-F1-0285
#10-32	.380	124735	5340-00-290-4480	1191-3CN-0380	208-F1-0380
1/4-28	.375	124696	5340-00-291-3484	1191-4CN-0375	208-F4-0375
1/4-28	.500	124736	5340-00-290-4497	1191-4CN-0500	208-F4-0500
5/16-24	.469	124697	5340-00-291-3495	1191-5CN-0469	208-F5-0469
5/16-24	.625	124737	5340-00-514-2321	1191-5CN-0625	208-F5-0625
3/8-24	.562	124698	5340-00-291-3492	1191-6CN-0562	208-F6-0562
3/8-24	.750	124738	5340-00-990-7159	1191-6CN-0750	208-F6-0750
7/16-20	.656	124699	5340-00-634-7860	1191-7CN-0656	208-F7-0656
7/16-20	.875	124739	5340-00-290-4511	1191-7CN-0875	208-F7-0875
1/2-20	.750	124700	5340-00-291-3448	1191-8CN-0750	208-F8-0750
1/2-20	1.000	124740	5340-00-290-4513	1191-8CN-1000	208-F8-1000
9/16-18	.844	124701	5340-00-291-3487	1191-9CN-0844	208-F9-0844
9/16-18	1.125	124741	5340-00-200-7223	1191-9CN-1125	208-F9-1125
5/8-18	.938	124702	5340-00-530-7948	1191-10CN-0938	208-F10-0938
5/8-18	1.125	124742	5340-00-597-5157	1191-10CN-1250	208-F10-1256
3/4-16	1.125	124703	5340-00-655-7971	1191-12CN-1125	208-F12-1125
3/4-16	1.500	124743	5340-00-200-7222	1191-12CN-1500	208-F12-1500
7/8-14	1.312	124704	5340-00-045-2848	1191-14CN-1312	208-F14-1312
7/8-14	1.750	124744	5340-00-754-2151	1191-14CN-1750	208-F14-1750
1-12	1.500	124691	5340-00-052-2662	1191-161CN-1500	208-F16-1000
1-12	2.000	124731	5340-00-044-4970	1191-161CN-2000	208-F16-2000
1 1/8-12	1.688	124706	5340-00-846-7828	1191-18CN-1688	208-F18-1688
1 1/8-12	2.250	124746	5340-00-059-2386	1191-18CN-2250	208-F18-2250
1 1/4-12	1.875	124707	5340-00-558-3435	1191-20CN-1875	208-F20-1875
1 1/4-12	2.500	124747	5340-00-059-2385	1191-20CN-2500	208-F20-2500
1 3/8-12	2.062	124708	5340-00-059-2383	1191-22CN-2062	208-F22-2062
1 3/8-12	2.750	124748	5340-00-059-2382	1191-22CN-2750	208-F22-2750
1 1/2-12	2.250	124709	5340-00-059-2389	1191-24CN-2250	208-F24-2250
1 1/2-12	3.000	124749	5340-00-059-2388	1191-24CN-3000	208-F24-3000

**Table 075-2-14. PART NUMBERS FOR HELICAL - COIL INSERTS -  
SCREW LOCKING, COARSE THREAD (1-1/2 AND 2 DIAMETER  
LENGTHS)**

Thread Size	Length Inches	MS21209 Dash Number	National Stock Number	Heli-Coil Part Number	Perma-Thread Part Number
#2-56	.129		5340-00-885-7893	3585-02CN-0129	209-C02-0129

**Table 075-2-14. PART NUMBERS FOR HELICAL - COIL INSERTS -  
SCREW LOCKING, COARSE THREAD (1-1/2 AND 2 DIAMETER  
LENGTHS) - Continued**

Thread Size	Length Inches	MS21209 Dash Number	National Stock Number	Heli-Coil Part Number	Perma-Thread Part Number
#2-56	.172		5340-00-462-4226	3585-02CN-0172	209-C02-0172
#3-48	.148		5340-00-886-6312	3585-031CN-0148	209-C03-0148
#3-48	.198			3585-031CN-0198	209-C03-0198
#4-40	.168	MS21209-C0415	5340-00-631-7894	3585-04CN-0168	209-C04-0168
#4-40	.224	MS21209-C0420	5340-00-827-4024	3585-04CN-0224	209-C04-0224
#5-40	.188	MS21209-C0515		3585-05CN-0188	209-C05-0188
#5-40	.250	MS21209-C0520		3585-05CN-0250	209-C05-0250
#6-32	.207	MS21209-C0615	5340-00-815-4930	3585-06CN-0207	209-C06-0207
#6-32	.276	MS21209-C0620	5340-00-558-8826	3585-06CN-0276	209-C06-0276
#8-32	.246	MS21209-C0815	5340-00-815-4929	3585-2CN-0246	209-C08-0246
#8-32	.328	MS21209-C0820	5340-00-721-6936	3585-2CN-0328	209-C08-0328
#10-24	.285	MS21209-C1-15	5340-00-680-3762	3585-3CN-0285	209-C1-0285
#10-24	.380	MS21209-C1-20	5340-00-990-8643	3585-3CN-0380	209-C1-0380
1/4-20	.375	MS21209-C4-15	5340-00-754-0837	3585-4CN-0375	209-C4-0375
1/4-20	.500	MS21209-C4-20	5340-00-721-8352	3585-4CN-0500	209-C4-0500
5/16-18	.469	MS21209-C5-15	5340-00-803-5574	3585-5CN-0469	209-C5-0469
5/16-18	.625	MS21209-C5-20	5340-00-825-6938	3585-5CN-0625	209-C5-0625
3/8-16	.562	MS21209-C6-15	5340-00-754-1976	3585-6CN-0562	209-C6-0562
3/8-16	.750	MS21209-C6-20	5340-00-812-1894	3585-6CN-0750	209-C6-0750
7/16-14	.656	MS21209-C7-15	5340-00-811-9468	3585-7CN-0656	209-C7-0656
7/16-14	.875	MS21209-C7-20	5340-00-723-6775	3585-7CN-0875	209-C7-0875
1/2-13	.750	MS21209-C8-15	5340-00-814-9865	3585-8CN-0750	209-C8-0750
1/2-13	1.000	MS21209-C8-20	5340-00-812-1900	3585-8CN-1000	209-C8-1000
9/16-12	.844	MS21209-C9-15	5340-00-987-0146	3585-9CN-0844	209-C9-0844
9/16-12	1.125	MS21209-C9-20	5340-00-723-6777	3585-9CN-1125	209-C9-1125
5/8-11	.938	MS21209-C1015	5340-00-811-9469	3585-10CN-0938	209-10-0938
5/8-11	1.250	MS21209-C1020	5340-00-312-1895	3585-10CN-0938	209-10-1250
3/4-10	1.125	MS21209-C1215	5340-00-723-6779	3585-12CN-1125	209-12-1125
3/4-10	1.500	MS21209-C1220	5340-00-800-1676	3585-12CN-1500	209-12-1500
7/8-9	1.312		5340-00-724-1920	3585-14CN-1312	209-14-1312
7/8-9	1.750		5340-00-724-1919	3585-14CN-1750	209-14-1750
1-8	1.500		5340-00-045-0525	3585-16CN-1500	209-16-1500
1-8	2.000			3585-16CN-2000	209-16-2000
1 1/8-7	1.688			3585-18CN-1688	209-18-1688
1 1/8-7	2.250			3585-18CN-2250	209-18-2250
1 1/4-7	1.875			3585-20CN-1875	209-20-1875
1 1/4-7	2.500			3585-20CN-2500	209-20-2500
1 3/8-6	2.062			3585-22CN-2062	209-22-2062
1 3/8-6	2.750			3585-22CN-2750	209-22-2750
1 1/2-6	2.250			3585-24CN-2250	209-24-2250
1 1/2-6	3.000			3585-24CN-3000	209-24-3000
3/4-16	1.125	MS21209-F1215	5340-00-723-6780	3591-12CN-1125	209-F12-1125
3/4-16	1.500	MS21209-F1220	5340-00-836-2941	3591-12CN-1500	209-F12-1500

**Table 075-2-14. PART NUMBERS FOR HELICAL - COIL INSERTS -  
SCREW LOCKING, COARSE THREAD (1-1/2 AND 2 DIAMETER  
LENGTHS) - Continued**

Thread Size	Length Inches	MS21209 Dash Number	National Stock Number	Heli-Coil Part Number	Perma-Thread Part Number
7/8-14	1.312	MS21209-F1415	5340-00-068-1286	3591-14CN-1312	209-F14-1312
7/8-14	1.750	MS21209-F1420	5340-00-721-5110	3591-14CN-1750	209-F14-1750
1-12	1.500	MS21209-F1615	5340-00-045-0514	3591-161CN-1500	209-F16-1500
1-12	2.000	MS21209-F1620	5340-00-045-0515	3591-161CN-2000	209-F16-2000
1 1/8-12	1.688	MS21209-F1815		3591-18CN-1688	209-F18-1688
1 1/8-12	2.250			3591-18CN-2250	209-F18-2250
1 1/4-12	1.875	MS21209-F2015		3591-20CN-1875	209-F20-1875
1 1/4-12	2.500			3591-20CN-2500	209-F20-2500
1 3/8-12	2.062	MS21209-F2215		3591-22CN-2062	209-F22-2062
1 3/8-12	2.750			3591-22CN-2750	209-F22-2750
1 1/2-12	2.250	MS21209-F2415		3591-24CN-2250	209-F24-2250
1 1/2-12	3.000			3591-24CN-3000	209-F24-3000

**Table 075-2-15. PART NUMBERS FOR HELICAL - COIL INSERTS -  
SCREW LOCKING, FINE THREAD (1-1/2 AND 2 DIAMETER LENGTHS)**

Thread Size	Length Inches	MS21209 Dash Number	National Stock Number	Heli-Coil Part Number	Perma-Thread Part Number
#3-56	.148			3591-03CN-0148	209-F03-0148
#3-56	.198			3591-03CN-0198	209-F03-0193
#4-48	.168			3591-041CN-0198	209-F04-0168
#4-48	.224			3591-041CN-0224	209-F04-0224
#6-40	.207		5340-00-754-1207	3591-06CN-0207	209-F06-0207
#6-40	.276		5340-00-825-1475	3591-06CN-0276	209-F06-0276
#8-36	.246			3591-2CN-9246	209-F08-0246
#8-36	.328			3591-2CN-0328	209-F08-0328
#10-32	.285	MS21209-F1-15	5340-00-800-7874	3591-3CN-0285	209-F1-0285
#10-32	.380	MS21209-F1-20	5340-00-721-7653	3591-3CN-0380	209-F1-0380
1/4-28	.375	MS21209-F4-15	5340-00-829-2141	3591-4CN-0375	209-F4-0375
1/4-28	.500	MS21209-F4-20	5340-00-721-7498	3591-4CN-0500	209-F4-0500
5/16-24	.469	MS21209-F5-15	5340-00-847-0734	3591-5CN-0469	209-F5-0469
5/16-24	.625	MS21209-F5-20	5340-00-582-7256	3591-5CN-0625	209-F5-0625
3/8-24	.562	MS21209-F6-15	5340-00-680-8768	3591-6CN-0562	209-F6-0562
3/8-24	.750	MS21209-F6-20	5340-00-678-3311	3591-6CN-0750	209-F6-0750
7/16-20	.656	MS21209-F7-15	5340-00-678-3310	3591-7CN-0656	209-F7-0656
7/16-20	.875	MS21209-F7-20	5340-00-619-4227	3591-7CN-0875	209-F7-0875
1/2-20	.750	MS21209-F8-15	5340-00-678-3309	3591-8CN-0750	209-F8-0750
1/2-20	1.000	MS21209-F8-20	5340-00-721-7915	3591-8CN-1000	209-F8-1000
9/16-18	.844	MS21209-F9-15	5340-00-685-0693	3591-9CN-0844	209-F9-0844
9/16-18	1.125	MS21209-F9-20	5340-00-726-8526	3591-9CN-1125	209-F9-1125
5/8-18	.938	MS21209-F1015	5340-00-834-8362	3591-10CN-0938	209-F10-0938
5/8-18	1.250	MS21209-F1020	5340-00-728-9774	3591-10CN-1250	209-F10-1250

**Table 075-2-15. PART NUMBERS FOR HELICAL - COIL INSERTS -  
SCREW LOCKING, FINE THREAD (1-1/2 AND 2 DIAMETER LENGTHS)**

- Continued

Thread Size	Length Inches	MS21209 Dash Number	National Stock Number	Heli-Coil Part Number	Perma-Thread Part Number
3/4-16	1.125	MS21209-F1215	5340-00-723-6780	3591-12CN-1125	209-F12-1125
3/4-16	1.500	MS21209-F1220	5340-00-836-2941	3591-12CN-1500	209-F12-1500
7/8-14	1.312	MS21209-F1415	5340-00-068-1286	3591-14CN-1312	209-F14-1312
7/8-14	1.750	MS21209-F1420	5340-00-721-5110	3591-14CN-1750	209-F14-1750
1-12	1.500	MS21209-F1615	5340-00-045-0514	3591-161CN-1500	209-F16-1500
1-12	2.000	MS21209-F1620	5340-00-045-0515	3591-161CN-2000	209-F16-2000
1 1/8-12	1.688	MS21209-F1815		3591-18CN-1688	209-F18-1688
1 1/8-12	2.250			3591-18CN-2250	209-F18-2250
1 1/4-12	1.875	MS21209-F2015		3591-20CN-1875	209-F20-1875
1 1/4-12	2.500			3591-20CN-2500	209-F20-2500
1 3/8-12	2.062	MS21209-F2215		3591-22CN-2062	209-F22-2062
1 3/8-12	2.750			3591-22CN-2750	209-F22-2750
1 1/2-12	2.250	MS21209-F2415		3591-24CN-2250	209-F24-2250
1 1/2-12	3.000			3591-24CN-3000	209-F24-3000

075-2.8.4.2 Applicable Military Standards. Helical-coil inserts and tools comply with the following standards and specifications. Where standard numbers exist to identify individual parts, such as MS 122121, use these numbers in preference to a manufacturer's part number (See Table 075-2-12 through Table 075-2-15).

- a. MS 122076 through MS 122275 - **Insert, Helical-Coil, Coarse Thread (free-running).**
- b. MS 124651 through MS 124850 - **Insert, Helical-Coil, Fine Thread (free-running).**
- c. MS 21209 - **Insert, Screw Thread, Coarse and Fine (screw-locking).**
- d. MS 21208 - **Insert, Screw Thread, Coarse and Fine, Free Running, Helical-Coil, CRES** (Inactive, use MS 122076 thru MS 122275 and MS 124651 thru MS 124850. This MS included for info only).
- e. MS 33537 - **Tapped Threads and Assembly.**
- f. MIL-I-8846 - **Inserts, Screw Threads, Helical-Coil**
- g. MIL-T-21309 - **Tools for Inserting and Extracting Helical-Coil Inserts.**
- h. MS 9071-18 - **1.5mm Boss Thread Dimensions.**
- i. AS 1229 - **Insert, Helical-Coil, Stud Locking Performance Standard.**
- j. AS 3080 through AS 3083 - **Insert, Helical-Coil (stud locking).**

075-2.8.4.3 Removal of Insert. To remove the insert, place the blade of the extracting tool into the hole so that one edge of the blade is one quarter of a turn from the end of the top wire coil. Strike the head of the tool lightly with a hammer to dig the blade into the top coil of the insert. Bearing down hard on the handle of the tool, turn it slowly counterclockwise maintaining firm pressure on the handle as the insert backs out. Proper removal of the insert does not damage the parent material. If one or more coils protrude from the hole, cut the wire as close to the surface as possible with wire cutters and then use the extracting tool. Do not reuse inserts once removed, even

if the tang is still intact. Whenever an insert is removed, clean the threads of the parent material and inspect for damage. If parent material thread failure is suspected, conduct inspection by gauge. Extracting Tools and Thread Gauges are obtainable from the manufacturers. Because of the hardness of the insert wire, do not attempt to drill out an insert that needs replacement. For removal of inserts from tapped holes 5/16 inch and larger, an alternate method may be used which does not require the special extracting tool. Grasp the top coil of the insert with a pair of long nose pliers. Pulling in the direction away from the hole, gyrate the handle of the pliers to free each coil of the insert individually. Once this procedure has begun, do not relieve the pulling force until the insert is fully removed otherwise the parent material threads may be scored and weakened.

075-2.8.4.4 Installation of Insert. Using the inserting tool contained in the repair kit, follow the step-by-step installation instructions in the kit. Locate the end of the top coil of the installed insert 3/4 to 1-1/12 turns below the end of the threads of the parent material.

075-2.8.4.5 Removal of Insert Tang. To remove the insert tang, place the punch type Tang Removal Tool into the installed insert contacting the tang at the bottom of the hole. The tang is snapped off clean by striking the top of the punch a sharp blow with a hammer. In blind holes, the tang may be removed in the same manner if enough hole depth is provided below the tang with the insert installed. A through hole requires that the insert driving tang be removed. This is not necessary in a blind hole provided the length of the insert permits the tang to clear the bottom of the screw or bolt when the parts are fully assembled. In 9/16 inch and larger bolt diameters, the tang is removed by grasping it firmly with long nose pliers and bending the tang up and down, without disturbing the last coil, breaking it off cleanly at the notch. Retrieve the broken tang and discard.

075-2.8.4.6 Gauging the Threads. Thread gauges are available to check the tapped hole. The installed insert need not be gauged. If the tapped hole is tapped correctly, the installed insert will automatically be within the thread tolerance. The same insert will provide either a Class 2B or a Class 3B fit for Unified Coarse and Unified Fine series threads, depending upon the tapped hole. The insert may not always seat itself when first installed; however, when a bolt or stud is installed and tightened, the insert will conform to the tapped thread.

075-2.8.5 OVERSIZE HELICAL-COIL INSERTS. Oversize inserts, both free running and screw locking, are made of slightly larger wire, and are usually identified by yellow markings on the tang and first coil. They are used to repair oversize insert assemblies where an error has occurred in tapping for installation of inserts. Correct out-of-round tapped holes, tapered, and bell mouth conditions by installing oversize inserts. In replacing oversize inserts, follow the same procedure as for standard inserts, and use the same tools as for the standard insert of the same nominal thread size. Oversize repair kits are supplemental to the regular Unified Coarse and Fine Thread repair kits. Each kit includes a special bottoming tap, instructions, and a quantity of inserts. Check final assembly with an appropriate standard thread gauge. If the hole is still oversize, remove insert and repair with a Twinsert.

075-2.8.6 TWININSERTS. Twinserts are proprietary to Heli-Coil Products and are special repair inserts for restoring off-center holes, damaged holes, stripped Heli-coil tapped holes, or damaged Twinserts. A Twinsert assembly (Figure 075-2-4) consists of two inserts: an outer insert, which is always a free-running type, and an inner insert that may be either a free running or a screw-locking type. Twinserts are installed in an oversize tapped hole produced with a special Twinsert tap. Twinsert kits contain a quantity of 1-1/2 diameter length insert sets, an inserting tool, a Tang Break Off Tool for the outer insert, and a Twinsert tap. Tools to install the inner insert are available in regular UNC or UNF Heli-Coil Thread Repair Kits. Installation instructions and part numbers for all kit components are contained in each tool kit. Two diameter length Twinsert sets may be ordered separately. When replacing Twinsert assemblies, remove the inner insert using the extracting tool for standard helical-coil inserts with the same nominal thread size. Remove the outer insert using the proper extracting tool

for that larger size insert or use long-nose pliers as described in paragraph 075-2.8.4.3. Install the outer insert 1/4 to 1/2 turns below the top thread of the tapped hole with the installation tool. Break off the driving tang with the Tang Break Off Tool. Install the inner insert to the position where its top end is flush with the top end of the outer insert (Figure 075-2-5). Installation is done with the installation tool for standard helical-coil inserts of the same thread size. Remove the tang of the inner insert with the Tang Break Off Tool for the standard coil insert of the same thread size.

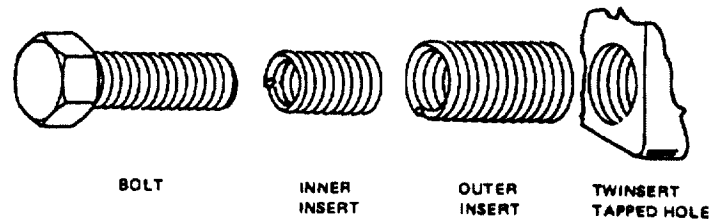


Figure 075-2-4. Heli-Coil Twinsert Assembly

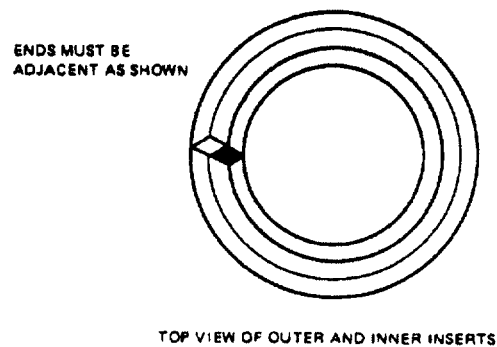
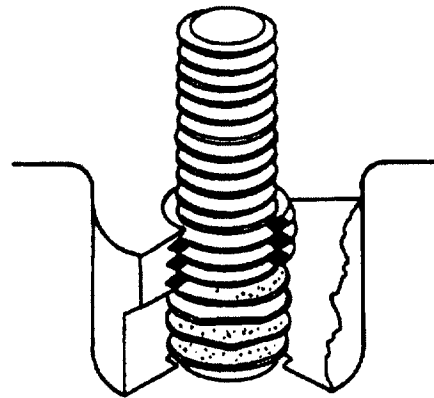


Figure 075-2-5. Twinsert Assembly Top Thread

**075-2.8.7 STUD-LOCK INSERTS.** Stud-Lock helical-coil inserts (Figure 075-2-6) are an extension of the standard screw-locking insert and are designed to provide higher torque for studs complying with ANSI B 1.12 and FED-STD-H28/23 values for Class 5 interference fit. These inserts are designed to provide these torques with inexpensive Class 3A studs and a minimum thread length to engage the complete length of the insert plus one full turn. When using these studs, no additional lubrication is required. Class 5 interference fit (UNC) studs may be used because of the resilient locking chords. However, the driving torque will be higher than for Class 3A studs but will still conform to ANSI B 1.12 and H28 values when a lubricant such as MIL-T-5544 type grease is applied to the stud. The stud-locking torque is controlled within the proper range for a minimum of three cycles of installing and removing the stud. A new stud may be used for each cycle. In practice, however, the same stud can be reinstalled until the torque falls below minimum, at which point the installation of a new stud will increase the locking torque because the wear is primarily on the stud. Tapped hole preparation is identical to that for standard free-running and screw-locking insert assemblies, the class of fit should be 3B. Installation tools for stud-lock inserts have a reduced pitch diameter to accommodate the deeper grip coil configuration. All other tools are the same as for standard and screw-lock inserts. Individual inserts and repair packs, complete for each size, are available. Inserts for straight studs are dyed green for identification while inserts for step studs (which have the **nut end** one size smaller than the **stud end** ) are dyed lavender.



ASSEMBLED STUD-LOCK INSERT AND STUD

Figure 075-2-6. Assembled Stud-Lock Insert and Stud

**075-2.8.8 PIPE THREAD INSERTS.** Helical-coil pipe thread inserts are another variation of the standard free-running insert. Before installation, the Pipe Thread Insert is larger in diameter than the tapped hole. When installed, it assumes the configuration of the tapped hole, whether American Standard Taper Pipe Thread, (NPT) Aeronautical National Taper Pipe Thread, (ANPT) or American Standard Coupling Straight Pipe Thread (NPSC). The outward forces resulting from the reduction of the free diameter anchors the insert permanently in place. Appropriate sealing compounds are recommended for pipe thread installations. The same insert is used for all three types of pipe thread assemblies. For NPT and NPSC assemblies, Military Handbook H28 requires gauging the tapped hole with the L1 gauge only. For ANPT assemblies (per MIL-P-7105), a full gauging procedure using Plain Taper Plug, L1 and L3 gauges is required. Complete details on installation are provided with repair kits or separately from the manufacturers upon request. Two types of HELI-COIL Pipe Thread Repair Kits are available. Kit A is recommended for use in repairing ANPT and NPT pipe thread assemblies in which wire thread inserts were not previously installed. This Kit contains a taper reamer, a screw thread insert taper tap (wired), a plain taper plug gauge, an L1 thread plug gauge, an L3 thread plug gauge, an inserting tool, an extracting tool, and a quantity of Pipe Thread Inserts. Kit B is used to repair pipe thread assemblies where the previously installed HELI-COIL insert is damaged and needs replacement. This Kit contains a tap, an inserting tool, an extracting tool, and a quantity of pipe Thread Inserts. Kit B is used to repair pipe thread assemblies where the previously installed HELI-COIL insert is damaged and needs replacement. This Kit contains a tap, an inserting tool, an extracting tool, and a quantity of Pipe Thread Inserts.

**075-2.8.9 THIN WALL LOCKED-IN INSERTS.** Thin wall locked-in inserts are designed and manufactured in accordance with MIL-I-45932/1 and DOD-I-63274/2 (Metric). The top external threads are serrated for external locking against rotation with an internal counterbore in the same region. These serrated threads are swaged into the counterbore for maximum retention. The provision of an internal threads wrenching recess is created by passing a broach directly through the internal threads. Two types of wrenching recesses are used (Figure 075-2-2). A six-point recess serves to identify those parts with an internal thread lock. The four-point recess identifies parts that do not have the internal lock feature. The thin wall of these inserts is made possible by the hi-root form external thread. External thread strength is not diminished by this form change, and it affects installation only to the extent that a slightly oversize tap drill must be provided. The internal thread lock is created by a slight thread deformation at the approximate center of the insert. Thread sizes range from No. 2 to 3/4-inch, unified national coarse and fine, as well as metric 3 to 14 mm. Thin wall inserts are for original design or repair of damaged internal threads. See Figure 075-2-7 for a typical thin wall insert repair kit. In the event the internal thread of the insert is inadvertently cross-threaded or mutilated, the insert may be removed and replaced with the same size part. If the external thread of the insert or the tapped thread in the parent material is damaged, replacement with oversize thin wall swage type inserts is recommended. Engineering data on the inserts is included in the basic specifications, MIL-I-45932 and DOD-I-63274.

**075-2.8.9.1 Thin Wall Insert Part Numbers and Materials.** Military part numbers are as identified on the specification slash sheets MIL-45932/1, and DOD-I-63274/1 (Metric), also refer to Table 075-2-16 through Table

**075-2-18.** The most commonly used material is a corrosion-resisting steel, composition 17-4 PH. If the insert is made of any other material the dash number contains the letter A, B, or C to designate one of the following materials:

- a. Alloy steel, composition 4130, cadmium plated
- b. Beryllium copper per AMS 4650
- c. Corrosion-resisting steel, composition A-286, silver plated.

For Navy ship applications, use should be limited to one of the corrosion-resisting steels unless otherwise specifically approved. The A-286 corrosion-resisting steel is more costly than 17-4 PH and generally should be used only where a nonmagnetic material or a highly corrosion-resistant material (such as in a sea water environment) is required. An L at the end of a dash number indicates that the insert is of the self-locking variety. Part numbers of some equivalent commercial products are provided in Table **075-2-16**. Since all sizes of inserts may not be stocked in the supply system, Table **075-2-16** provides National Stock Numbers for the commonly used 17-4 PH inserts with internal thread locks.

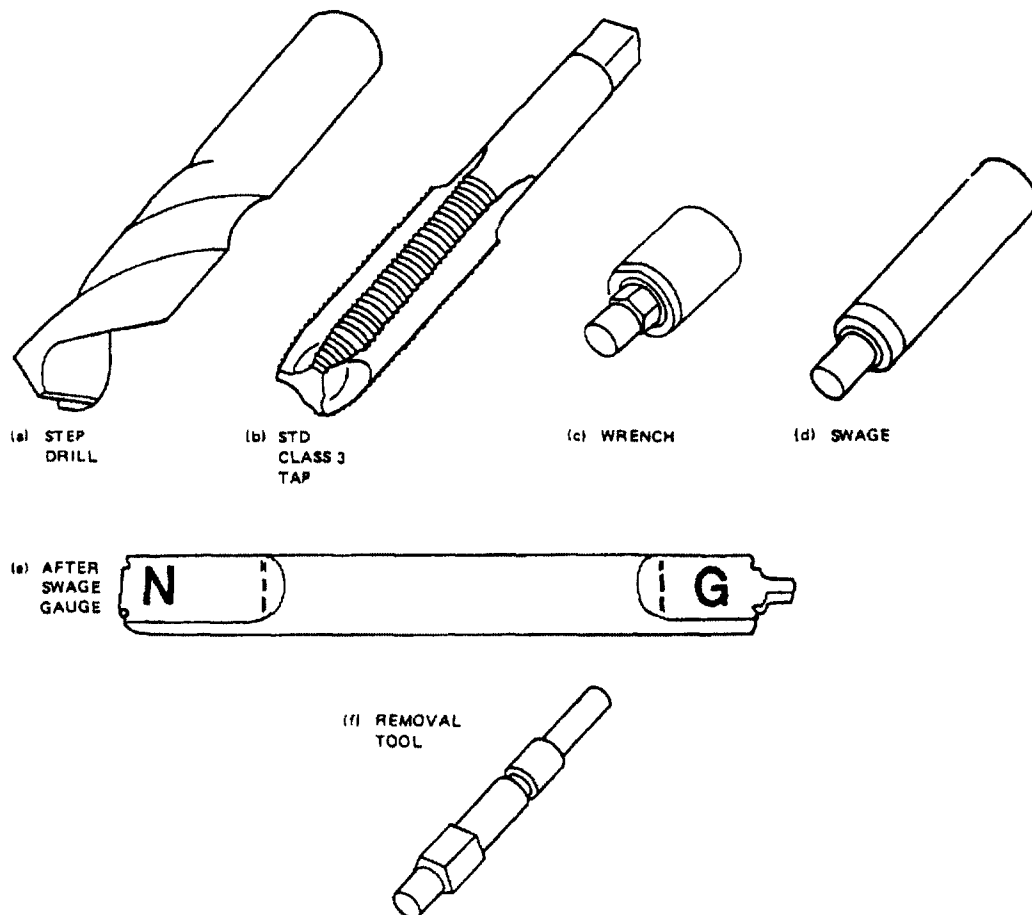


Figure 075-2-7. Typical Thin Wall Insert Repair Kit Tools

**Table 075-2-16. THIN WALL INSERTS, REPAIR KITS, AND NSN'S  
(THREAD LOCKING, 1-1/2 NOMINAL DIAMETER LENGTH, UNC AND  
UNF**

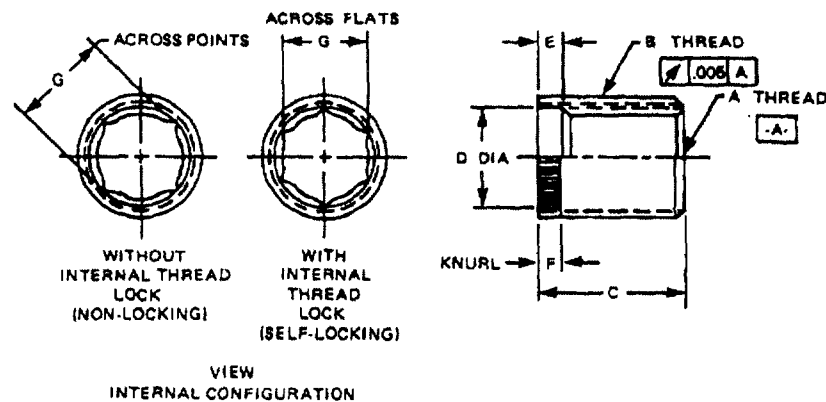
Insert Initial Thread Size	Thin Wall Inserts with Internal Thread Lock				Repair Kits	
	Military Num- ber	Rosan Number	Microdot Number	Insert NSN (5340)	Rosan Tool Kit	Tool Kit NSN (518-
#4-40	M45932/1-3L	SR 110L	K8002-04	-00-857-4921	K4-110-110L	-00-178-0056
#6-32	M45932/1-5L	SR 142L	K8002-06	-00-864-4958	K4-142-142L	-00-177-8960
#8-32	M45932/1-7L	SR 162L	K8002-08	-00-990-9916	K4-162-162L	-00-177-8966
#10-24	M45932/1-11L	SR 194L	K8002-1024	-00-971-7615	K4-194-194L	-00-177-8963
1/4-20	M45932/1-15L	SR 250L	K8002-420	-00-043-3947	K4-250-250L	-00-177-8967
5/16-8	M45932/1-19L	SR 318L	K8002-518	-00-376-8204	K4-318-318L	-00-157-1102
				-01-139-3567		
3/8-16	M45932/1-23L	SR 376L	K8002-616	-00-943-8157	K4-376-376L	-00-157-1103
7/16-14	M45932/1-27L	SR 434L	K8002-714	-00-420-5904	K4-434-434L	----
1/2-13	M45932/1-31L	SR 503L	K8002-813	-00-943-8159	K4-503-503L	-00-157-1104
9/16-13	M45932/1-35L	SR 562L	K8002-912	----	----	----
5/8-11	M45932/1-39L	SR 621L	K8002-1011	-01-113-5615	K4-621-621L	-00-157-1105
3/4-10	M45932/1-43L	SR 750L	K8002-1210	----	K4-750-750L	-00-157-1106
#10-32	M45932/1-9L	SR 192L	K8002-3	-00-864-4959	K4-192-192L	-00-177-8968
				-01-126-9532		
1/4-28	M45932/1-13L	SR 258L	K8002-4	-00-814-0267	K4-258-258L	-00-178-0046
5/16-24	M45932/1-17L	SR 314L	K8002-5	-00-866-1327	K4-314-314L	-00-177-8962
3/8-24	M45932/1-21L	SR 374L	K8002-6	-00-019-9237	K4-374-374L	-00-157-1108
7/16-20	M45932/1-25L	SR 430L	K8002-7	----	K4-430-430L	-00-157-1110
1/2-20	M45932/1-29L	SR 500L	K8002-8	-00-943-8158	K4-500-500L	-00-157-1228
9/16-18	M45932/1-33L	SR 568L	K8002-9	----	----	----
5/8-18	M45932/1-37L	SR 628L	K8002-10	-01-114-0242	K4-628-628L	-00-157-1124
3/4-16	M45932/1-41L	SR 756L	K8002-12	-01-118-0711	K4-756-756L	-00-157-1130

**Table 075-2-17. OVERSIZE THIN WALL INSERTS, REPAIR KITS, AND  
NSN'S (THREAD LOCKING, 1-1/2 NOMINAL DIAMETER LENGTH, UNC  
AND UNF)**

Insert Internal Thread Size	Thin Wall Inserts with Internal Thread Lock			Repair Kits	
	Military Number	Rosan Num- ber	Insert NSN	Rosan Tool Kit	Insert & Tool Kit NSN
6-32	45932/3-5L	SRW 142L	5340-00-410-5851	K4SRW142-142L	
8-32	45932/3-7L	SRW 162L	5340-00-937-0534	K4SRW162-162L	
10-24	45932/3-11L	SRW 194L	5340-00-512-5049	K4SRW194-194L	5180-00-126-1722
1/4-20	45932/3-15L	SRW 250L	5340-00-508-2071	K4SRW250-250L	5180-00-126-1766
5/16-18	45932/3-19L	SRW 318L	5340-00-508-2081	K4SRW318-318L	5180-00-126-1761
3/8-16	45932/3-23L	SRW 376L	5340-00-510-4603	K4SRW376-376L	5180-00-126-1750
7/16-14	45932/3-27L	SRW 434L		K4SRW434-434L	
1/2-13	45932/3-31L	SRW 503L	5340-00-512-5008	K4SRW503-503L	5180-00-126-1773
10-32	45932/3-9L	SRW 192L	5340-00-434-7575	K4SRW192-192L	5180-00-126-2797
10-32	45932/3-9L	SRW 192L	5340-00-968-9432	K4SRW192-192L	5180-00-126-2797

**Table 075-2-17. OVERSIZE THIN WALL INSERTS, REPAIR KITS, AND NSN'S (THREAD LOCKING, 1-1/2 NOMINAL DIAMETER LENGTH, UNC AND UNF) - Continued**

Insert Internal Thread Size	Thin Wall Inserts with Internal Thread Lock			Repair Kits	
	Military Number	Rosan Num- ber	Insert NSN	Rosan Tool Kit	Insert & Tool Kit NSN
1/4-28	45932/3-13L	SRW 258L	5340-00-968-9433	K4SRW258-258L	5180-00-126-1769
5/16-24	45932/3-17L	SRW 314L	5340-00-508-2079	K4SRW314-314L	5180-00-126-1765
3/8-24	45932/3-21L	SRW 374L	5340-00-541-8928	K4SRW374-374L	5180-00-126-1759
7/16-20	45932/3-25L	SRW 430L	5340-00-441-9051	K4SRW430-430L	5180-00-126-1701
1/2-20	45932/3-29L	SRW 500L	5340-00-514-4184	K4SRW500-500L	5180-00-126-1774



## NOTES:

1. DIMENSIONS ARE IN INCHES, TO BE MET AFTER PLATING BEFORE THE ADDITION OF SOLID FILM LUBRICANT 556-K NOTE 2, PROTECTIVE COATING OR TREATMENT.
2. THE CENTERLINE OF THE INTERNAL THREAD LOCKING SHALL BE APPROXIMATELY MID-LENGTH OF INTERNAL.

Figure 075-2-8 Insert Screw Thread

Table 075-2-18. THIN WALL INSERT PART NUMBERS AND MATERIALS

Dash Numbers				A Int Thd Class 38 (Req 4)	B Ext Thread Altered to Minor Dia		C ±.010	D +.008 -.002	E +.015 -.000	F (Ref)	G (Ref)	Min Shear Engagement Area (in <sup>2</sup> ) (Req 10)
17-4 PH CRES*	Alloy Steel*	Beryllium Copper*	A-286 CRES*		Thread Size	Max Minor Dia						
1 L	1 AL	1 BL	1 CL	.086-56 UNC	.086-56 UNF	.1073	.17	.086	.042	.032	.073	.0189
2	2 A	2 B	2 C				.13				.080	
3 L	3 AL	3 BL	3 CL	.112-40 UNC	.164-32 UNC	.1380	.19	.116	.060	.050	.092	.0436
4	4 A	4 B	4 C								.100	
5 L	5 AL	5 BL	5 CL	.138-32 UNC	.190-32 UNF	.1620	.21	.142	.080	.055	.138	.0823
6	6 A	6 B	6 C								.120	
7 L	7 AL	7 BL	7 CL	.164-32 UNC	.216-28 UNF	.1890	.25	.169	.080	.055	.138	.0823
8	8 A	8 A	8 A								.150	
9 L	9 AL	9 BL	9 CL	.190-32 UNF	.250-28 UNF	.2170	.29	.192	.080	.075	.157	.1098
10	10 A	10 B	10 C								.180	
11 L	11 AL	11 BL	11 CL	.190-24 UNC							.157	
12	12 A	12 B	12 C								.180	
13 L	13 AL	13 BL	13 CL	.250-28 UNF	.3125-24 UNF	.2785	.38	.252	.095	.075	.210	.2037
14	14 A	14 B	14 C								.240	
15 L	15 AL	15 BL	15 CL	.250-20 UNC							.210	
16	16 A	16 B	16 C								.240	
17 L	17 AL		17 CL	.3125-24 UNF	.375-24 UNF	.3405	.47	.314	.110	.075	.266	.3306
18	18 A		18 C								.310	
19 L	19 AL		19 CL	.3125-18 UNC							.266	
20	20 A		20 C								.310	
21 L	21 AL		21 CL	.375-24	.4375-20	.4010	.56	.377	.110	.105	.322	.4577

**Table 075-2-18. THIN WALL INSERT PART NUMBERS AND MATERIALS - Continued**

Dash Numbers				A Int Thd Class 38 (Req 4)	B Ext Thread Altered to Minor Dia		C ±.010	D +.008 -.002	E +.015 -.000	F (Ref)	G (Ref)	Min Shear Engagement Area (in <sup>2</sup> ) (Req 10)
17-4 PH CRES*	Alloy Steel*	Beryllium Copper*	A-286 CRES*		Thread Size	Max Minor Dia						
				UNF	UNF							
22	22 A		22 C								.370	
23 L	23 AL		23 CL	.375-16 UNC							.322	
24	24 A		24 C								.370	
25 L	25 AL		25 CL	.4375-20 UNF	.500-20 UNF	.4630	.66	.439	.135	.105	.377	.6522
26	26 A		26 C								.430	
27 L	27 AL		27 CL	.4375-14 UNC							.377	
28	28 A		28 C								.430	
29 L	29 AL		29 CL	.500-20 UNF	.5624-24 UNEF	.5290	.75	.505	.135	.105	.439	.8690
30	30 A		30 C								.490	
31 L	31 AL		31 CL	.500-13 UNC							.439	
32	32 A		32 C								.490	
33 L			33 CL	.5625-18 UNF	.6875-12 N	.6130	.84	.571	.145	.135	.481	1.1328
34			34 C								.550	
35 L			35 CL	.5625-12 UNC							.481	
36			36 C								.550	
37 L			37 CL	.625-18 UNC	.750-16 UNF	.6870	.94	.634	.145	.135	.534	1.4014
38			38 C								.620	
39 L			39 CL	.750-16 UNF							.534	
40			40 C								.620	
41 L			41 CL	.750-16 UNF	.875-20 UNEF	.8240	1.12	.756	.170	.150	.648	2.0543

Table 075-2-18. THIN WALL INSERT PART NUMBERS AND MATERIALS - Continued

Dash Numbers				A Int Thd Class 38 (Req 4)	B Ext Thread Altered to Minor Dia		C $\pm$ .010	D +.008 -.002	E +.015 -.000	F (Ref)	G (Ref)	Min Shear Engagement Area (in <sup>2</sup> ) (Req 10)
17-4 PH CRES*	Alloy Steel*	Beryllium Copper*	A-286 CRES*		Thread Size	Max Minor Dia						
42			42 C								.750	
43 L			43 CL	.750-10 UNC							.648	
44			44C								.750	
Notes:												
1. MATERIAL												
- Steel, alloy composition 4130 per AMS 6370.												
- Steel, corrosion resistant, composition 17-4 PH per AM 5643.												
- Steel corrosion resistant, composition A 286 per AMS 5734.												
- Copper, beryllium per AMS 4650.												
2. PROTECTIVE COATING OR TREATMENT:												
- Steel, alloy, shall be cadmium plated per QQ-P-416 type II class 2, plus solid film lubricant coating per MIL-L-8 937, Form B.												
- Steel, corrosion resistant, composition 17-4 PH, shall be solid film lubricant coated per MIL-L-8937, Form B.												
- Steel, corrosion resistant, composition A-286, shall be silver plated per QQ-S-365 type II, grade B, .0002 thick min.												
- Copper, beryllium shall have a solid film lubricant coating per MIL-L-8937, Form B.												
3. SURFACE ROUGHNESS: Machined surfaces shall be 125 microinches in accordance with ANSI B46. 1-1978 except knurling.												
4. THREADS: Threads shall be in accordance with MIL-S-7742 except as noted in Table 075-2-18 and shall accept external MIL-S-8879 threads. All coarse internal threads have an increased minor diameter. Threads are prior to the addition of solid film lubricant.												

**Table 075-2-18. THIN WALL INSERT PART NUMBERS AND MATERIALS - Continued**

Dash Numbers				A Int Thd Class 38 (Req 4)	B Ext Thread Altered to Minor Dia		C ±.010	D +.008 -.002	E +.015 -.000	F (Ref)	G (Ref)	Min Shear Engagement Area (in <sup>2</sup> ) (Req 10)
17-4 PH CRES*	Alloy Steel*	Beryllium Copper*	A-286 CRES*		Thread Size	Max Minor Dia						
<p>Notes:</p> <p>5. HARDNESS:                      - Alloy steel, Rockwell C25-34.                      - Corrosion resistant steel, 17-4 PH, Rockwell C35-42.                      - Corrosion resistant steel, A-286, Rockwell C32-40.                      - Beryllium copper, Rockwell C25-34.</p> <p>6. DIMENSIONS: All dimensions are in inches; to be met after plating and before the addition of solid film lubricants (See Requirement 2 herein).</p> <p>7. PART NUMBERS: Part numbers consist of letter M plus the basic number of this specification sheet and a dash number taken from Table <a href="#">075-2-18</a>.                      Example:                      M 45932/1-9CL Insert, A286 CRES, self-locking                      M 45932/1-10C Insert, A286 CRES, non-locking</p> <p>8. INTERNAL THREAD LOCKING FEATURE: The centerline of the internal thread locking feature shall be approximately mid-length of internal thread except - 1 size is located on a pilot at the bottom of insert.</p> <p>9. PATENT: Inserts specified herein are manufactured under US patent No. 3,081,808 which expires 19 March 1980 and 3,190,169 which expires 22 June 1982. The Government does not have a royalty free license.</p> <p>10. SHEAR ENGAGEMENT AREA: Shear engagement area is the assembled dimensional value for the overall engaged area of mating thread members. It does not represent a dimension of either of the members in an unassembled condition.</p> <p>11. For dimensions A through G, see figure <a href="#">075-2-8</a>.</p>												

Table 075-2-19. THIN WALL INSERT REPAIR

Nominal External Thread Size of Insert (Ref)	Insert Dash Number MS45932/1 (Ref)	Tap Drill Dia +.004 -.001	A CBORE DIA +.004 -.001	B CBORE Depth $\pm$ .005	C Thread Class-38 Altered Minor Dia	D Minimum Full Thread Depth	E Minimum Drill Depth Blind Hole	Insert Removal Drill Size ( Note 6)
.138-40	1	.113	.138	.045-.050	.138-40 UNF	.160	.233	#30
	2							
.164-32	3	.140	.164	.052	.164-32 UNC	.220	.298	5/32
	4							
.190-32	5	.166	.187	.065	.192-32 UNF	.240	.318	#17
	6							
.216-28	7	.191	.216	.065	.216-28 UNF	.280	.369	#5
	8							
.250-28	9	.221	.250	.082	.250-28 UNF	.325	.414	15/64
	10							
	11							
	12							
.3125-25	13	.281	.312	.082	.3125-24 UNF	.415	.519	19/64
	14							
	15							
	16							
.375-24	17	.343	.375	.082	.375-24 UNF	.505	.609	23/64
	18							
	19							
	20							
.4375-20	21	.404	.437	.113	.4375-20 UNF	.595	.720	27/64
	22							
	23							
	24							
.500-20	25	.468	.500	.113	.500-20 UNF	.695	.820	31/64
	26							
	27							
	28							
.5625-24	29	.531	.562	.113	.5625-24 UNF	.785	.889	35/64
	30							
	31							
	32							
.6875-12	33	.625	.687	.150	.6875-12 N	.873	1.081	41/64
	34							

Table 075-2-19. THIN WALL INSERT REPAIR - Continued

Nominal External Thread Size of Insert (Ref)	Insert Dash Number MS45932/1 (Ref)	Tap Drill Dia +.004 -.001	A CBORE DIA +.004 -.001	B CBORE Depth ±.005	C Thread Class-38 Altered Minor Dia	D Minimum Full Thread Depth	E Minimum Drill Depth Blind Hole	Insert Removal Drill Size ( Note 6)
	35							
	36							
.750-16	37	.703	.750	.156	.750-16 UNF	.967	1.123	47/64
	38							
	39							
	40							
.875-20	41	.844	.875	.156	.875-20 UNF	1.155	1.280	55/64
	42							
	43							
	44							

Notes:

1. Diameter A and thread shall be concentric within .006 T.I.R.
2. Axis of hole shall be normal to entry surface or provide spot face when required.
3. Machined surfaces shall be 125 micro inches in accordance with ANSI B46 1-1978.
4. Dimensions are in inches.
5. Install insert.
  - (a) These inserts are primarily designed for use in aluminum, magnesium and other non-ferrous materials that do not exceed Brinnell 187 (3,000 kg load and 10-mm ball). Use in stainless steels, titanium, and hardened ferrous materials will normally require broaching serrations in counterbore to accept the insert knurls when swaging.
  - (b) Use of insert manufacturer's wrench and swaging tool is mandatory. (Rosan Inc., Newport Beach, CA - CAGE 83324).
  - (c) Install - 1 thru -8 inserts into hole until the top of inserts is .010 -.020 below boss surface and -9 thru -44 inserts .015 -.025 below boss surface.
  - (d) Place swage tool in insert and apply a downward force sufficient to seat the tool shoulder against the boss surface which will effect full swageout and external lock setting.
6. Replacement of inserts is made with the same size inserts as those removed. Using removal drill size shown in Table 075-2-19, drill to depth B + .025. Then back out insert using installation wrench or a square type screw extractor. Remove loose chips, re-inspect hole and then re-install per note 5.

Table 075-2-20. OVERSIZE THIN WALL INSERTS

Dash Numbers		A Int Thd Class 38 ( Note 4)	B Ext Thread Altered to Minor Dia		C ±.010	D +.008 -.002	E +.015 -.000	F (Ref)	G (Ref)	Min Shear Engagement Area (in <sup>2</sup> ) ( Note 5)
17-4 PH CRES*	A-286 CRES*		Thread Size	Max Minor Dia						
3 L	3 CL	.112-40 UNC	.190-32 UNF	.1620	.190	.142	.060	.045	.092	.0439
4	4 C								.100	
5 L	5 CL	.138-32 UNC	.216-28 UNF	.1758	.210	.142	.080	.055	.113	.0542
6	6 C								.120	
7 L	7 CL	.164-32 UNC	.250-28 UNF	.2098	.250	.169	.080	.060	.138	.0871
8	8 C								.150	
9 L	9 CL	.190-32 UNF	.2812-28 NS	.2410	.290	.214	.080	.075	.157	.1147
10	10 C								.180	
11 L	11 CL	.190-24 UNC							.157	
12	12 C								.180	
13 L	13 CL	.250-28 UNF	.3438-24 NS	.2976	.380	.264	.095	.075	.210	.2153
14	14 C								.240	
15 L	15 CL	.250-20 UNC							.210	
16	16 C								.240	
17 L	17 CL	.3125-24 UNF	.4219-20 NS	.3651	.470	.336	.110	.075	.266	.3591
18	18 C								.310	
19 L	19 CL	.3125-18 UNC							.266	
20	20 C								.310	
21 L	21 CL	.375-24 UNF	.4844-20 NS	.4276	.560	.393	.110	.105	.322	.4938
22	22 C								.370	
23 L	23 CL	.375-16 UNC							.322	
24	24 C								.370	
25 L	25 CL	.4375-20 UNF	.5625-18 UNF	.4993	.660	.466	.135	.105	.377	.6714
26	26 C								.430	
27 L	27 CL	.4375-14 UNC							.377	
28	28 C								.430	
29 L UNF	29 CL UNF	.500-20	.625-18	.5618	.750	.528	.135	.105	.439	.8717
30	30 C								.490	
31 L	31 CL	.500-13 UNC							.439	
32	32 C								.490	

**Table 075-2-20. OVERSIZE THIN WALL INSERTS - Continued**

Dash Numbers		A Int Thd Class 38 ( Note 4)	B Ext Thread Altered to Minor Dia		C ±.010	D +.008 -.002	E +.015 -.000	F (Ref)	G (Ref)	Min Shear Engagement Area (in <sup>2</sup> ) ( Note 5)
17-4 PH CRES*	A-286 CRES*		Thread Size	Max Minor Dia						
<p>Notes:</p> <ol style="list-style-type: none"> <li>1. Material: Steel, CRES, Composition 17-4 PH conforming to AMS 5643, Unified Numbering System, (UNS) S17400. Hardness, Rockwell C35-42. Steel, CRES, Composition A-286 conforming to AMS 5734, UNS K66286. Hardness, Rockwell C32-40.</li> <li>2. Protective coating or treatment: Steel, UNS S17400 shall be coated with a solid film lubricant in accordance with MIL-L-8937, Form B. Steel, UNS K66286, shall be silver plated, .0002-inch thick minimum in accordance with AMS 2411.</li> <li>3. Surface roughness: Machined surfaces shall be 125 microinches in accordance with ANSI B46.1-1978, expect Knurling.</li> <li>4. Threads: Threads shall be in accordance with MIL-S-7742 except as noted in Table <a href="#">075-2-20</a> and shall accept external MIL-S-8879 threads. All coarse internal threads have an increased minor diameter. Threads are before the addition of solid film lubricant.</li> <li>5. Shear engagement area: Shear engagement area is the assembled dimensional value for the overall engaged area of mating thread members. It does not represent a dimension of either of the members in an unassembled condition.</li> <li>6. Patent: Inserts specified are manufactured under U.S. Patent No. 3,081,808, which expires 19 March 1980 and 3,190,169, which expires 22 June 1982. The Government does not have a royalty-free license.</li> <li>7. Military part number: Consists of the letter M, the basic number of the specification sheet, and a dash number taken from Table <a href="#">075-2-20</a>.</li> <li>8. For dimensions A through G, see figure <a href="#">075-2-8</a>.</li> </ol>										

075-2.8.9.2 Thin Wall Insert Repair. In repair actions, if feasible, try to maintain the same bolt size and use the same type of insert originally installed. If threads are damaged, it may be necessary to use a larger diameter insert but the same bolt size should be retained. Identification of all necessary parts to ensure the right combination for any repair action is beyond the scope of this manual. Some limited guidance is provided in the military specification slash sheets. For example, MIL-I-45432/1A and Table 075-2-19, provide bore dimensions for the insert and general requirements. Detailed instructions are provided in manufacturer's literature and repair kits for a specific bolt size contain all the necessary tools, drills, spare inserts, and instructions. When possible, use inserts that comply with military specifications and standards. Major manufacturers of thin-wall inserts and repair kits are Rosan Inc. for their Slimsert (Swage Type) and Ring-Locked inserts and Microdot products for their thin wall (Swage Type) and K-Sert (Key Type) inserts. Activities involved in the installation and repair of thin-walled inserts shall obtain a copy of technical manual **General Use of Rosan Fasteners, Fluid Fittings, and Criss Air Check Valves**, U. S. Air Forces T.O. 44H1-1-13, NAVAIR 01-1A-15.

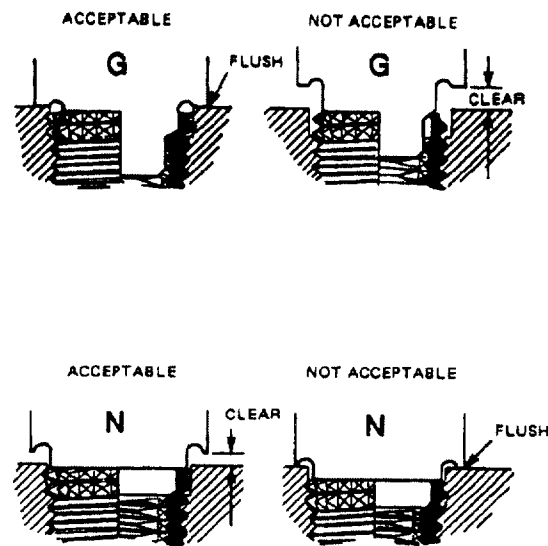


Figure 075-2-9 Gauging

075-2.8.9.3 Installation of Insert. The first step is to prepare the tapped hole to accept the insert. This is the most important and most difficult step, and normally will be performed in the shop. The tap drill and thread tap shall be correct for the size insert to be installed. (See specification slash sheet or manufacturer's repair kit instruction for specific requirements.) For an original insert installation, use the step drill to achieve the required counterbore depth, and then tap to the required minimum full thread depth. Screw the insert into the tapped hole using the appropriate wrench from the repair kit. When the shoulder of the wrench meets the surface of the parent material, the insert will be installed to the proper depth. Specification slash sheets identify the proper depth. To achieve external thread locking of the insert, which prevents the insert from unscrewing, it is necessary to expand the top serrated threads of the insert into the counterbored area. Place the swage tool provided in the repair kit into the insert. With a hammer, apply a downward force sufficient to bottom the protective shoulder of the swage tool onto the surface of the parent material. This will produce full swage resulting in external lock setting. The last step, gauging the insert is optional. Insert the **G** (for go) end of the gauge into the neck of the insert. The gauge must bottom on the parent material surface to show that full swage has been accomplished. Next, insert the **N** (for no-go) end into the neck of the insert. The shoulder must be clear of the parent material surface to indicate that the insert has not been driven too deep (see Figure 075-2-9 for gauging).

075-2.8.9.4 Removal of Insert. To remove a thin wall insert from a tapped hole, the external locking must be eliminated. This is accomplished by drilling that portion of the insert that was swaged out (Figure 075-2-10). Using the appropriate removal tool from the repair kit, mill to depth of counterbore. Back out insert with drive wrench, clean out hole, and if the parent threads are good, install a new insert of the same size as the insert removed. Extensive damage to the parent threads will require redrilling, retapping, and the use of an oversize thin wall swage type insert.

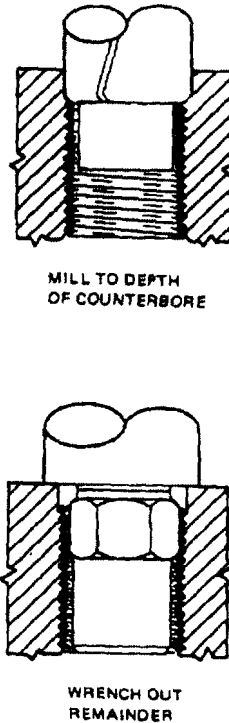


Figure 075-2-10 Removal of a Thin Wall Insert

075-2.8.9.5 Oversize Thin Wall Inserts. The oversize thin wall swage type insert is designed as a replacement for damaged helical wire-type inserts and complies with MIL-I-45932/3. In addition, these inserts will repair damaged holes in the parent material that originally specified thin wall swaged type inserts. Part numbers, materials and limited installation requirements are provided in MIL-I-45932/3, and in Table 075-2-20. The installation instructions in paragraph 075-2.8.9.3 are applicable, but should be supplemented by detailed instructions in the manufacturer's repair kit. Table 075-2-17 provides National Stock Numbers for some of the oversize thin wall swage type inserts and tool kits. Equivalent Rosan part numbers are also listed for identification of non-stocked sizes.

075-2.8.9.6 Thin Wall Insert Repair Kits. Repair kits and inserts (locking and non-locking), as listed in Table 075-2-19 and Table 075-2-20 are available for a variety of popular sizes up to 3/4-inch thread size, UNF and UNC. Kits and inserts are also available from the manufacturer for metric threads. Each kit contains instructions and a quantity of both locking and non-locking inserts, a step drill, a tap, a four point wrench, a six point wrench, a swage tool, and a removal tool. Many stock numbers have been established for the different inserts and kits, and are provided in Table 075-2-19 and Table 075-2-20.

075-2.8.10 RING-LOCKED INSERTS. The ring-locked insert (Figure 075-2-11) complying with MS 51991 is a heavier walled version of a thin wall insert with a different design to lock the insert external threads. Inserts are available with and without internal thread locking. The ring-locked insert is an internally and externally threaded sleeve whose basic function is to provide steel threads in weaker materials and, by virtue of the larger outside diameter, to provide increased bolt pull-out strengths. Although it is a stronger insert, it requires a larger space for the external thread and locking ring, and is more expensive. The distinguishing feature of ring-locked inserts is a serrated flange above the external threaded portion so configured as to mesh with the mating lockring. The lock-ring (Figure 075-2-12) provides complete anti-rotational security for the insert.

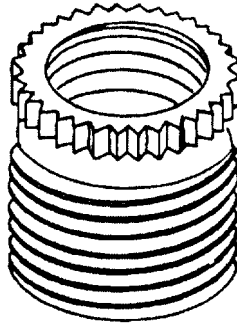


Figure 075-2-11 Basic Ring-Locked Insert

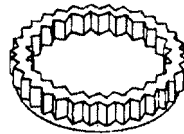


Figure 075-2-12 Lock-Ring

075-2.8.10.1 Lock-Ring. The lock-ring (Figure 075-2-12) is an accessory part used as an anti-rotation device for screw thread inserts, studs, and many other externally threaded fastening devices. For MS 51991 inserts, the lock-ring is in accordance with MS 51990. It is serrated both internally and externally. The internal serrations are configured to mesh with those on the insert flange. The external serrations are relieved on the entering side to form a pilot to permit initial engagement internally. In addition, there is a 10-degree rake angle on the external serration so that the effect of a broach is duplicated when the ring is pressed or driven into the counterbored region in the receiving material. The crest of the serrations cut a series of longitudinal grooves, creating a composite shear area for resistance to rotation (Figure 075-2-13).

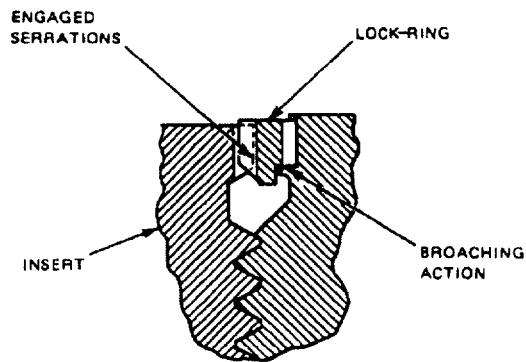


Figure 075-2-13 Ring Locking Principle

075-2.8.10.2 High Strength Ring-Lock Inserts. This series of inserts comply with MS 51993 and use lockrings per MS 51997. These inserts are not interchangeable with the standard ring-lock inserts, as the external threads are of different size and pitch. This series of parts is specially made to produce the greatest strength in as small an envelope as possible while retaining the ring-locked method, especially when used with NAS short thread bolts.

075-2.8.10.3 Repair Kits. A commercially available repair kit contains standard (MS 51991) ring-locked inserts and matching lock-rings. The kit contains complete preparation and installation tooling and instructions. For procurement of individual inserts and lock-rings, refer to MS sheets to identify standard part numbers.

075-2.8.10.4 Pre-Installation. Inspection is similar to inspection for other types of insert. The thread size and class of the removed bolt determines the removal drill to be used to remove the insert. Replacement of the insert may be required due to damage to the internal threads from cross threading or use of a different thread size bolt. Because of the high strength of these inserts, pullout or external thread damage of a properly installed insert is unlikely. Prepare hole in the parent material per applicable insert data sheet. Tap drilling and counterbore are performed in one operation by using a step drill, which also

ensures concentricity. A standard Class 3 tap then completes the hole preparation. Gauging may be performed, using a standard Class 3 plug type gauge. Refer to specific manufacturer's data for hole diameters in magnesium parent material. If the parent material surface is not normal to the whole axis, provide a spot face for proper lock-ring entry.

075-2.8.10.5 Installation. Inserts are installed by a specially designed manual wrench that engages the serrated flange of the insert. The wrench is hollow, and is made of hexagonal stock for a choice of wrenching methods. Inserts are installed so that the top of the serrated flange is from 0.010 to 0.020 below the material surface. This is very important so that the impact of the lock-ring drive tool cannot contact this surface and thus transmit any loads into the tapped threads of the parent material. The lock-ring is placed over the insert, undercut side down, and driven to a depth of 0.005 to 0.010 with the lock-ring drive tool. This tool, with pilot, features a raised driving face, which controls the depth to which this lock-ring is driven. Do not attempt to drive the lock-ring any deeper. See Table [075-2-21](#).

075-2.8.10.6 Removal and Replacement. An insert to be removed is positioned on a drill press table and aligned with the spindle. With the appropriate removal drill, drill through the lock-ring and neck of the insert to destroy the serration interlock. Care must be exercised in that the drill must not progress beyond the depth of the counterbore in the parent material. Portions of the serrations still engaged will readily break away when removal torque is applied. Square screw extractors are generally used for this purpose. When the top threads meet the bottom surface of the lock-ring, continued removal torque will jack the ring out of the counterbore. If the lock-ring has been drilled completely through, and fails to lift out with the inserts, the remaining portion may be collapsed with a punch and removed. Replacement is made with an identical size insert, and in the same manner as for an original installation. The external serrations of the lock-ring, however, must be aligned with those already in the material.

Table 075-2-21. INSTALLATION REPLACEMENT CRITERIA

Nominal External Thread Size of Insert (Ref)	Insert Dash Number MS45932/1 (Ref)	Tap Drill Dia +.004 -.001	A CBORE DIA +.004 -.001	B CBORE Depth $\pm$ .005	C Thread Class-38 Altered Minor Dia	D Minimum Full Thread Depth	E Minimum Drill Depth Blind Hole	Insert Removal Drill Size)
.190-32	3	.166	.187	.065	.190-32 UNF	.220	.298	#17
	4							
.216-28	5	.191	.216	.065	.216-28 UNF	.240	.329	#5
	6							
.250-28	7	.218	.250	.065	.250-28 UNF	.280	.369	15/64
	8							
.2812-28	9	.242	.281	.082	.2812-28 NS	.325	.414	17/64
	10							
	11							
	12							
.3438-24	13	.302	.343	.082	.3438-24 NS	.415	.519	21/64
	14							
	15							
	16							
.4219-20	17	.368	.422	.082	.4219-20 NS	.505	.609	13/32
	18							
	19							
	20							
.4844-20	21	.437	.484	.113	.4844-20 NS	.505	.630	13/32
	22							
	23							
	24							
.5625-18	25	.515	.562	.113	.5625-18 UNF	.695	.834	35/64
	26							
	27							
	28							
.624-18	29	.578	.625	.113	.625-18 UNF	.785	.924	39/64
	30							
	31							
	32							

075-2.8.11 KEY-LOCKED INSERTS. The key-locked insert (Figure 075-2-14, typical) is another type of thin wall insert, which complies with MS 51830 and MS 51831. Steps for hole preparation and installation are generally the same as other inserts, but the tools and dimensions are unique, particularly as applicable to the external thread-locking feature. Briefly, drill the hole to the manufacturer's dimensions, screw in the insert with a special tool, and tap the locking keys in place using the reverse side of the installation tool and a hammer. Removal is also generally typical of other thin wall inserts, except for the locking area. Drill out the damaged insert to proper drill size and depth per manufacturer's details. Then deflect locking keys inward and break off. Unscrew insert with a standard extractor type tool and replace with same size insert in the original hole. As with other inserts, if external thread or parent thread damages have somehow occurred, and assuming space is available, the use of the next larger size insert will result in the need for a larger bolt. It is preferable to retain the same size insert and original bolt size when repairs are made. If use of the next larger size insert is required, contact NAVSEA to determine whether other type inserts can be used to retain the original bolt size.

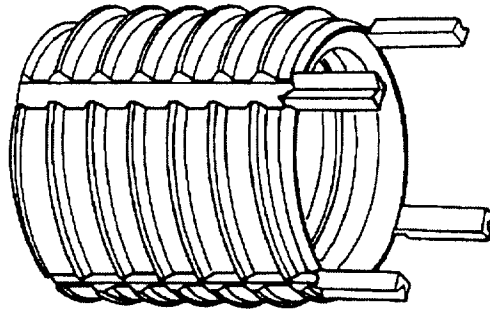


Figure 075-2-14 Key Locked Insert (Typical)

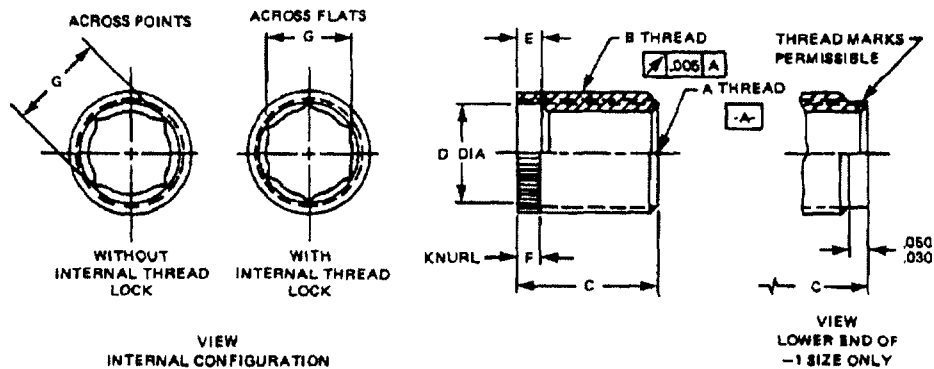


Figure 075-2-15 Thin Wall Insert

## 075-2.9 NONSTANDARD FASTENER APPLICATIONS

075-2.9.1 LEFT-HAND THREAD APPLICATIONS. Some fasteners used on rotating elements of machinery may incorporate left-hand threads to prevent the fastener from loosening during operation. When removing or installing fasteners on rotating elements of machinery, check the applicable technical manual, technical repair standard, manufacturer's instructions, or equipment drawings to determine if left-hand threads have been used. Left-hand threads are turned clockwise to loosen and counterclockwise to tighten. In many applications, fasteners with left-hand threads will have a L, the word left or left hand, an arrow, or some other warning stamped on the head or nut.

075-2.9.2 UNIFORM STRENGTH FASTENERS. Uniform strength fasteners are likely to be found in grade A shock designated systems. In particular, uniform strength fasteners are often used for foundation bolting, hull integrity joints in submarines, and bolted piping connections in surface ships located below the full-load water line, which cannot be isolated from the sea by the sea valve. These fasteners are designed so that they can absorb the maximum amount of energy under HI-shock loads. Uniform or constant strength fasteners are designed to provide uniform or constant strain over the effective

clamping length of the fastener. This is done by proportioning and shaping the various sections of the fastener so that it will stretch (strain) a uniform amount over its entire length, hence the term uniform or constant strength. This is an important requirement, as the ability of these systems to survive HI-shock loads is partially dependent on the ability of the fasteners to absorb energy under these loads. A constant strength fastener minimizes the stress developed while absorbing the shock energy.

075-2.9.2.1 Bolt-Studs. Bolt-studs are the preferred fastener where through bolting can be used. They have the greatest energy absorption capability. Uniform strength in bolt-studs can be achieved by: (1) using continuously threaded bolt-studs (the preferred method with those having roll-formed threads being stronger than those with cut threads), (2) using bolt-studs with roll-formed threads whose unthreaded shank diameter is equal to the pitch diameter, or (3) reducing the unthreaded shank diameter of bolt-studs to the root diameter when cut threads are used. The substitution of bolts or capscrews for studs or bolt-studs in Grade A shock applications is prohibited except by specific approval of NAVSEA.

075-2.9.3 HOLES FOR UNIFORM STRENGTH FASTENERS. Tests conducted at David Taylor Research Center (DTRC, now Naval Surface Warfare Center Carderock Division) have shown that increased fastener shear resistance can be obtained by beveling or rounding off the entrances to the holes for the fastener where the two flanges meet. This reduces the ability of the two flanges to act like a shear and cut the fastener when side loads such as HI-shock are applied to the joint. The entrances should have a radius of about 3/32 inch for a typical 1/2-inch or larger fastener. This radius also allows clearance for the increased fillet under the head. Where studs are used, only the mating flange needs to be beveled as the normal hole chamfer takes care of the stud set end side. Figure 075-2-16 illustrates examples of uniform strength fasteners.

075-2.9.4 MULTI-JACKBOLT TENSIONER (MJBT). Multi-jackbolt tensioners, or MJBTs, (see Figure 075-2-17) are a substitute for nuts that are difficult to preload. Conventional fasteners are preloaded by tightening the nut, which can be difficult when the fastener is large or access to the fastener is restricted. MJBTs are preloaded by extending the jackbolts through the nut body, which can be done using hand tools.

075-2.9.4.1 Description. MJBTs are designed as direct replacements for nuts. The tensioner nut body is threaded with a main thread similar to a nut, but usually with a circular rather than hex cross-section. The tensioner is provided with a hardened washer, which goes on before the tensioner. The tensioner is equipped with multiple jackbolts (hex or socket head configuration), which encircle the main thread. Once the tensioner is positioned snugly against the mating surface, actual tensioning of the bolt or stud is accomplished by torquing the jackbolts, which bear against the hardened washer.

075-2.9.4.2 Benefits. The major benefit of MJBTs is that they can create very high fastener preloads using normal hand tools. Their simpler installation and removal can be completed using fewer workers and less time than is needed to tighten and loosen large hex nuts. Experience has shown that once properly torqued, pre-stressed tensioners will remain tight and not loosen on vibrating, pulsating and reciprocating equipment.

075-2.9.4.3 Tensioner Size MJBTs are commercially available in both inch and metric thread sizes M20 (3/4 inch) through M160 (6 inches). Larger sizes are also available on special order. The benefits are more significant for thread sizes greater than M36 (1-1/2 inches).

Navy approved configuration MJBTs are shown on the MJBT source control drawing, NAVSEA drawing 075-7383799 'NAVY APPROVED CONFIGURATION MULTI-JACKBOLT TENSIONER (MJBT) TORQUENUTS'. This drawing provides MJBT ordering information, sizes, and guidance on using, installing and removing MJBTs.

**Allowable Uses.** NAVSEA has evaluated and approved MJBTs for Navy use, with certain restrictions. All uses must be documented with the appropriate alteration and configuration change documentation. Only the following specific Superbolt Inc. MJBT series and material combinations are approved for unrestricted use within their allowed operating temperature ranges.

**Table 075-2-22.** APPROVED MJBTs FROM SUPERBOLT, FOR UNRESTRICTED USE WITHIN THEIR ALLOWED TEMPERATURE RANGE.

Torquenut Series	MJBT Materials			Main Stud Material	Temperature Range
	Nut Body	Jackbolt	Thrust Washer		
MT, MTSX	ASTM A193-B7	AISI 4140	AISI 4140	Steel	-50°F to 500°F
H650, H650X, H650T, H650TX	ASTM A193-B7	AISI 4140	AISI 4140	Steel	-50°F to 650°F
H850, H850T	ASTM A193-B16	AISI H13	AISI H13	Steel	32°F to 850°F
MN (Corrosion Resistant) (Note 1)	Nickel-Copper (Monel), QQ-N-281	Nickel-Copper-Aluminum (K-Monel), QQ-N-286	Nickel-Copper-Aluminum (K-Monel), QQ-N-286	Nickel-Copper-Aluminum (K-Monel), QQ-N-286	28°F to 600°F

NOTE: 1. Formerly MNE series.

The following restrictions apply:

- a. MJBTs may not be mixed with conventional nuts on the same flange or joint - all fasteners for a specific joint must be either MJBTs or conventional nuts.
- b. Covered nuts with copper washers used to prevent bolt hole leakage may not be replaced with MJBTs.
- c. "Tall" profile series nuts (i.e. H650T, H650TX, H850T) with unthreaded lower portions used to distribute stress in the stud can only be replaced with MJBT/spacer combinations if shown to have approximately the same local stress distribution.
- d. Self-locking nuts may be replaced by MJBTs without any additional locking mechanism, providing the jackbolt stress is 50% of yield strength or higher. For applications requiring self-locking nuts in which the jackbolt stress is below 50% of yield strength, the MJBT requires an additional locking mechanism, such as threadlocking compound.
- e. SUBSAFE/Level I nuts may only be replaced with MJBTs as described in the appropriate installation drawings or technical manuals.
- f. Use of any of the above approved MJBTs at operating temperatures outside the listed temperature range requires NAVSEA review and approval.
- g. Use of other manufacturer's designs, other Superbolt series or other tensioner/jackbolt material combinations requires NAVSEA review and approval.

075-2.9.4.4 Ordering. MJBTs may be ordered using the appropriate installation drawing or technical manual. File the proper forms to notify the Navy Supply System of usage information, even if these parts are procured commercially, to provide the necessary usage justification for stocking these parts in the supply system. Contact Superbolt Inc. at 800-345-2658, 757-5582203, 412-279-1149 or [www.superbolt.com](http://www.superbolt.com). for further information or questions.

075-2.9.4.5 Installation and Removal and Retorquing. For installation and removal of MJBTs see the appropriate installation drawing or technical manual. If retorquing of an MJBT is required, such as to attempt to stop a joint leak, apply the proper torque to each jackbolt as described in the appropriate installation drawing or technical manual. Additional guidance is provided in paragraph [075-4.7](#).

### CAUTION

**Removal of MJBTs requires strict procedures. Jackbolts must be unloaded gradually. If some jackbolts are fully unloaded prematurely, the remaining jackbolts will**

*Caution-continued*

**Caution - precedes**

**be overloaded, be hard to turn and possibly permanently damaged.**



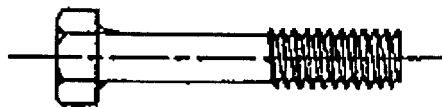
a. Continuously threaded bolt-stud.



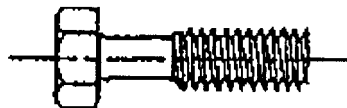
b. Roll formed threads on bolt-stud with unthreaded shank.



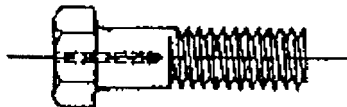
c. Cut threads on bolt-stud with reduced diameter unthreaded shank.



d. Bolt with roll formed threads.



e. Bolt with cut threads.



f. Bolt with cut threads and hole through head and unthreaded shank.

Figure 075-2-16. Uniform Strength Fasteners.

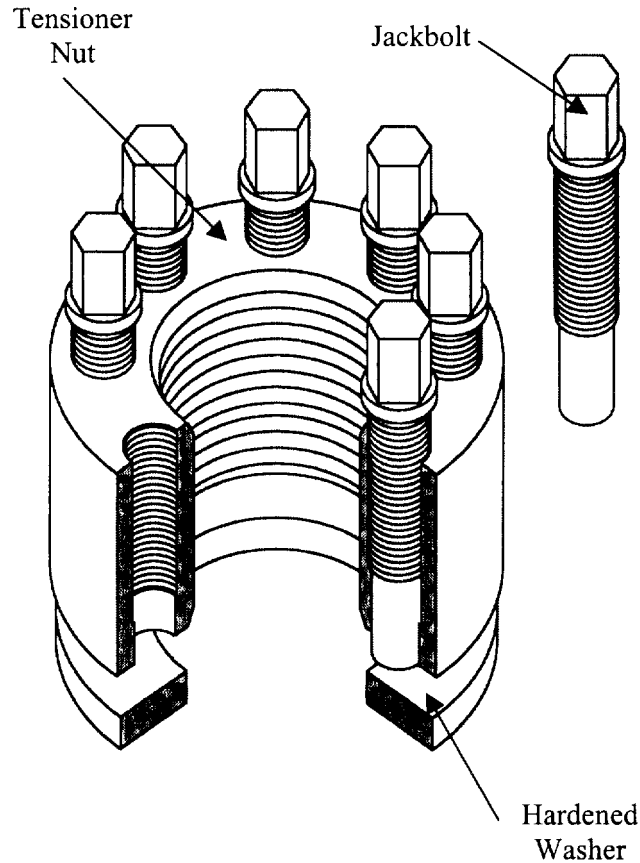


Figure 075-2-17. Multi-Jackbolt Tensioner (MJBT) Nut Body.

#### 075-2.9.5 MECHANICALLY ADJUSTABLE CHOCKS (MACs).

075-2.9.5.1 DESCRIPTION. A chock is an equipment mounting interface used between a foundation or sub-base and a piece of equipment. The purpose of the chock is to compensate for the inherent minor spacing defects that exist between equipment and their foundations. Chocks are especially used to create a near perfect mounting plane for critical aligned machines, such as rotating equipment where alignment is essential for expected life of the machine bearings and seals. The co-planar mounting surface created by high quality chocking is critical to all equipment, since poor mounting plane flatness results in machines that are stressed into position by mounting hardware, which causes operating problems and premature failure. A MAC is a specially designed chock that can be adjusted to various heights and angles without additional machining. These chocks were first introduced to the Navy in 1997 and since have demonstrated that their performance is technically adequate and that the chocks provide production and life cycle cost savings. The design of acceptable chocking systems for Navy ships is described in MIL-S-901, General Specifications for Shipbuilding Section 180, and General Specifications for Overhaul Section 180. Currently, the only approved MAC for shipboard use is the Vibracon Adjustable Chock (see figure [075-2-18](#)).

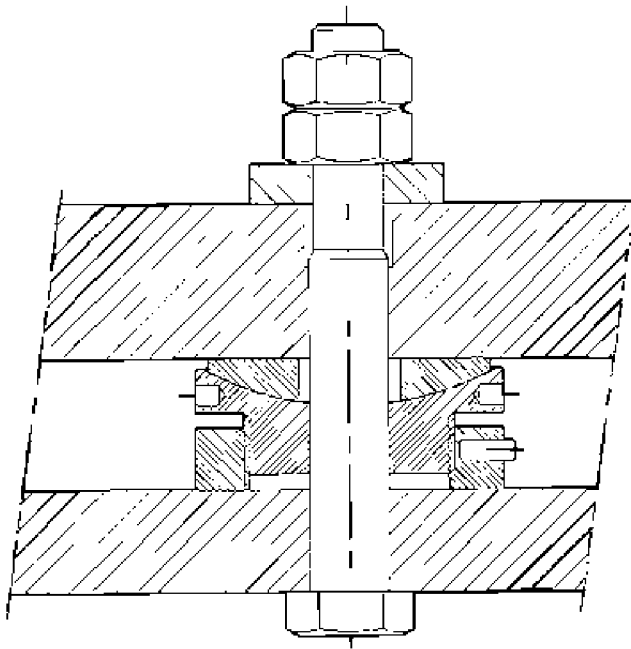


Figure 075-2-18 Vibracon Adjustable Chock Installed.

#### 075-2.9.5.2 CANDIDATE EQUIPMENT.

075-2.9.5.2.1 MACs may be used on Grade A and Grade B equipment that has been qualified by MIL-S-901 shock testing. The equipment and MAC installation must also meet the following criteria:

- a. The equipment center of gravity and footprint must meet the paragraph [075-2.9.5.3](#) criteria.
- b. Sufficient bolt spacing must be present to allow use of the MACs without modification of the equipment or MACs.
- c. The footprint of all MACs must fit completely on the foundation and bedplate with no overhang.

075-2.9.5.2.2 Before deciding to use the MACs on a piece of equipment, the following information must be known about the equipment:

- a. Mounting bolt sizes and quantity.
- b. Height location for the center of gravity relative to the mounting plate.
- c. Foot print.
- d. Bolting pattern relative to the equipment surface and foundation surface.
- e. Bolt pattern for the equipment versus percentage covering the top plate of the MACs.

075-2.9.5.3 TECHNICAL EVALUATION PROCESS. Complete the calculations as described in Tables [075-2-23](#) and [075-2-24](#). The equipment is satisfactory for installation of Vibracon Adjustable Chocks if the results are within the parameters established herein.

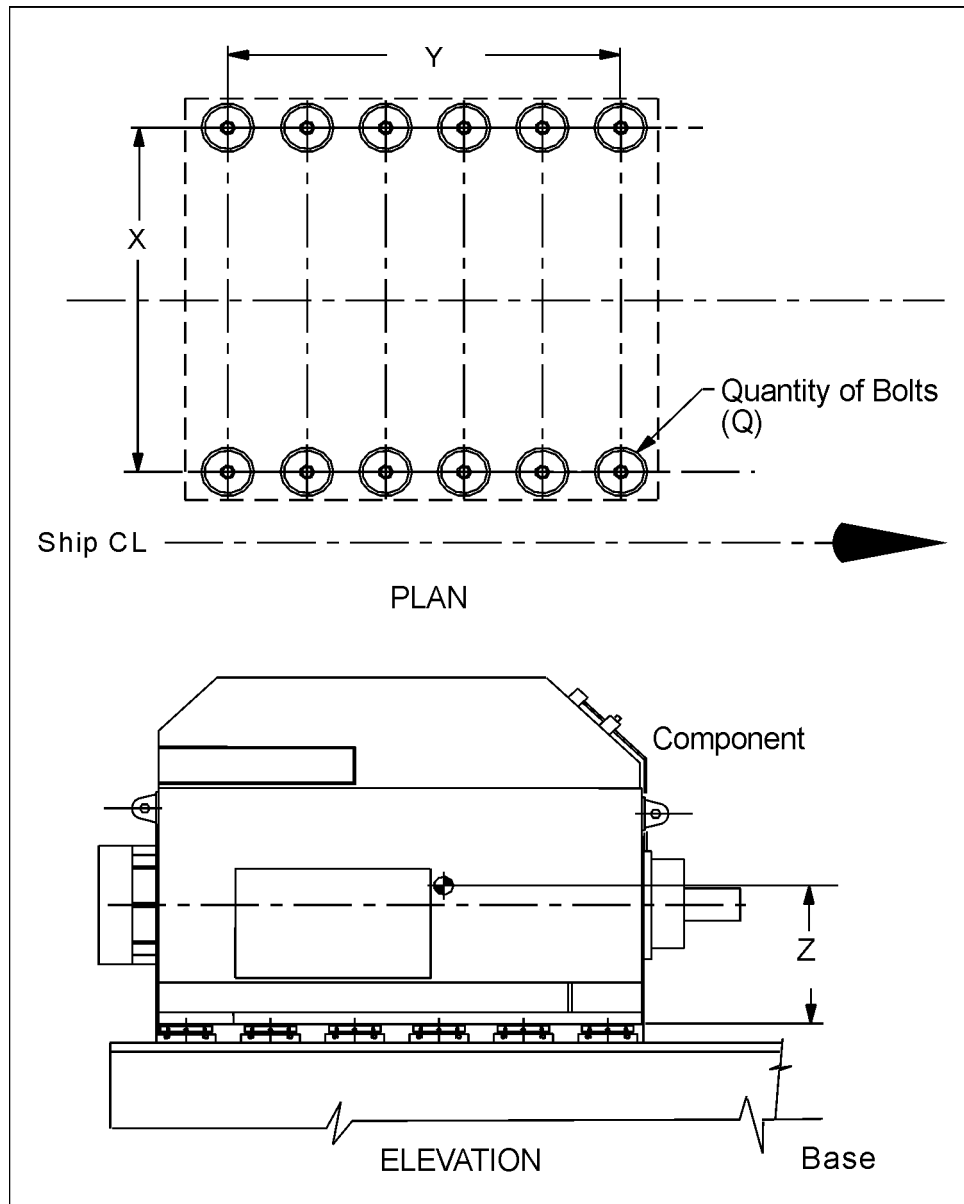


Figure 075-2-19 MAC Candidate Equipment Evaluation.

**Table 075-2-23** MAC Candidate Equipment Evaluation.

X(in)	Z(in)	Q	(Z/XQ)	Acceptable if Z/XQ is <0.35
EXAMPLE:				
48	20.3	12	(20.3/48 x 12)=	0.04 ACCEPTABLE
CALCULATION (see Figure 075-2-19 for X, Z and Q):				

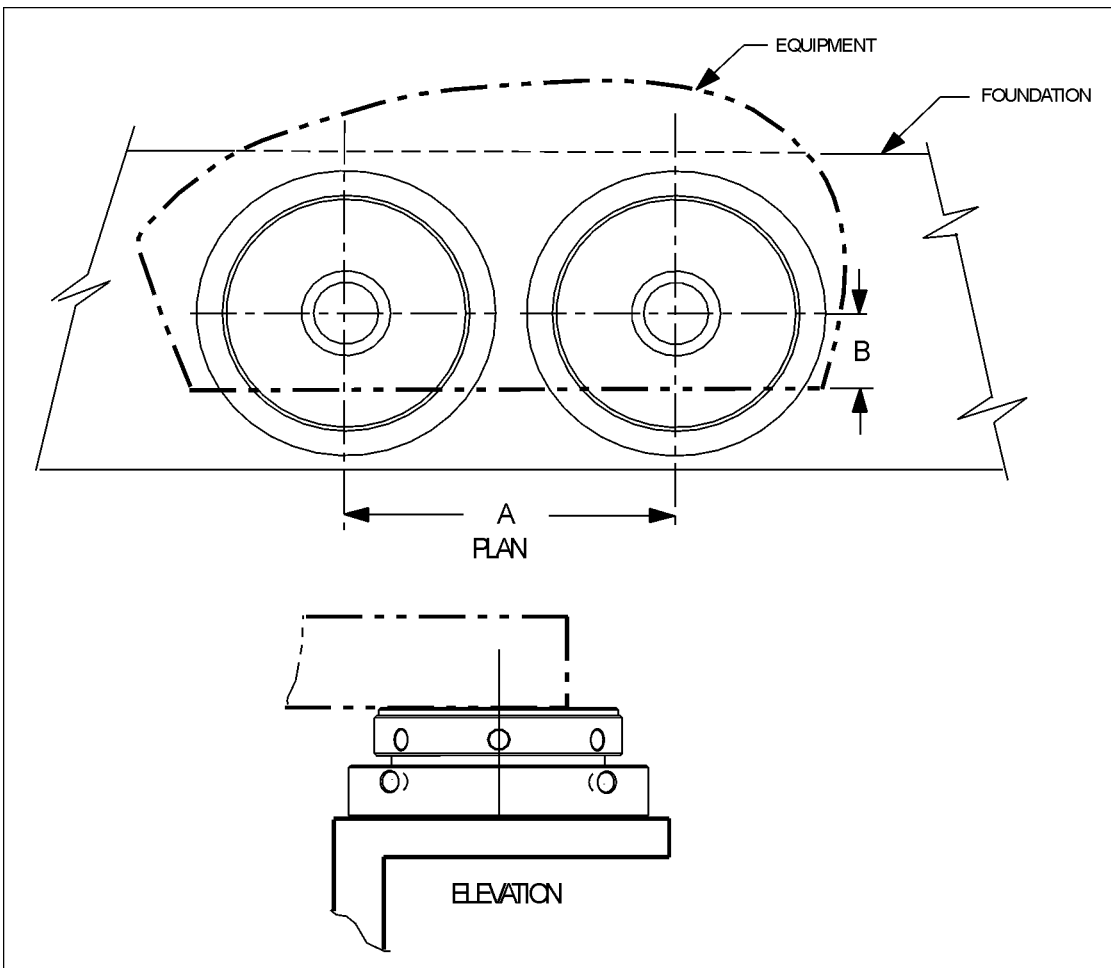


Figure 075-2-20 MAC Dimensional Evaluation

Table 075-2-24 Dimensional Evaluation.

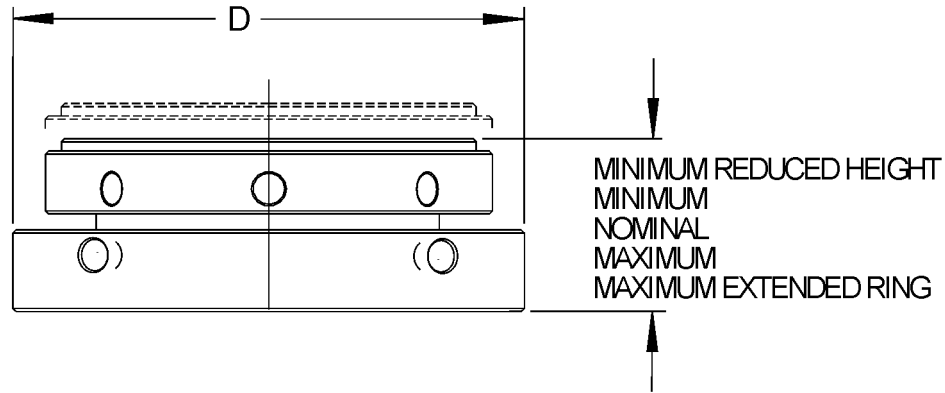
Measure A	Read D for selected Vibracon (See paragraph 075-2.9.5.4)	If $A > D$ , Then the equipment is Acceptable	Measure B	Read Top Plate Cover Measurement (TPC) of selected Vibracon from paragraph 075-2.9.5.4. If $B \geq TPC$ then the Vibracon selection is acceptable.
EXAMPLE: Grade A Shock Application; Existing mounting bolts are 1 -1/4" dia, therefore select the SM30 Vibracon Adjustable Chock from Table 075-2-27.				
175 (6-7/8")	160 (6-1/4")	$175 > 160$ Acceptable	38 (1-1/2")	26.3 (1-1/32") Acceptable $38 > 26.3$
CALCULATION (see figure 075-2-20 for A and B):				

075-2.9.5.4 MAC SELECTION CRITERIA. This section describes the material and physical configuration of the MACs. Barge and bench testing per the requirements of MIL-S-901 has been conducted on varied configurations and materials of

Vibracon Adjustable Chocks since 1999. Commercial history coupled with Navy testing has resulted in the following tables and figures that describe acceptable materials and configurations for the Vibracon Adjustable Chocks. Table 075-2-24 describes material selection criteria, Table 075-2-25 and Table 075-2-26 contains information that can be used to select standard Vibracon Adjustable Chocks for shock applications, Table 075-2-27 and Table 075-2-28 contain information that can be used to select low profile Vibracon Adjustable Chocks for shock applications, Table 075-2-29 and Table 075-2-30 contain selection criteria for standard configuration Vibracon Adjustable Chocks for non-shock applications, and Tables 075-2-31 and Table 075-2-32 contain selection criteria for low profile Vibracon Adjustable Chocks for non-shock applications.

**Table 075-2-25** Materials

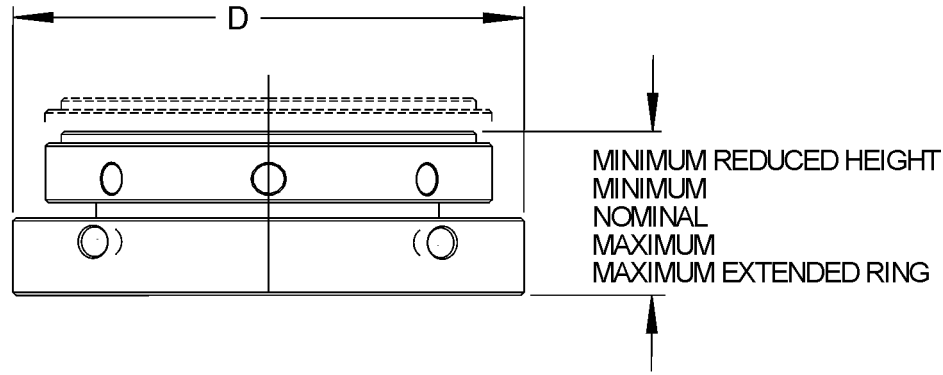
ACCEPTABLE MATERIALS for Grade A & B, MIL-S-901 Applications
• Alloy Steel, ISO Designation 34 CrNiMo 6 (DIN 1.6582)
• K-Monel, K-Monel 500 in accordance with QQ-N-286
ACCEPTABLE MATERIALS for non-shock applications only
• Carbon Steel, ISO designation 52.3St (DIN 1.0570)(DIN 1.1191)
• Stainless Steel, ASA 316L (DIN 1.4404)
(These commercial grade materials may not be used in MIL-S-901D Grade A or B applications)

**Table 075-2-26** Vibracon© Adjustable Chock – Standard Configurations, Grade A/B Shock Applications, METRIC

## METRIC

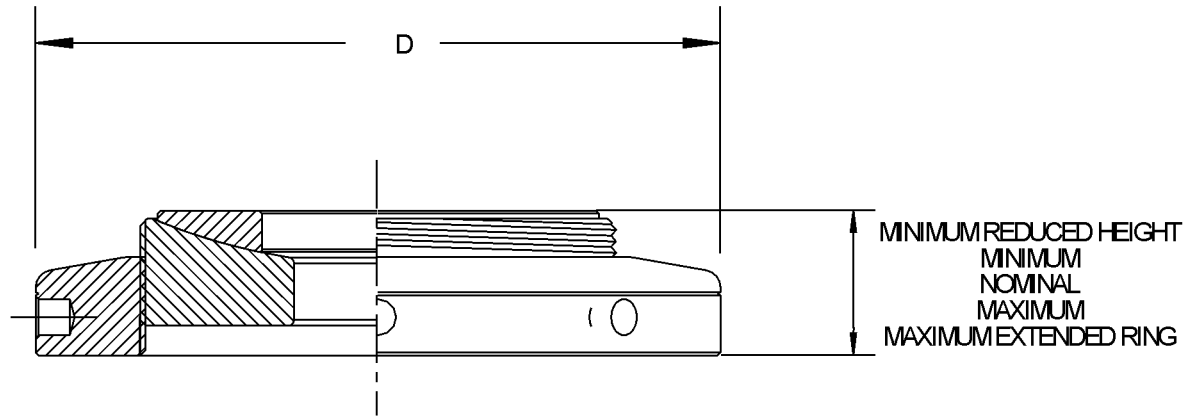
Vibracon Type	Bolt Size	Bolt Size	Min. Height Reduced	Minimum Height	Nominal Height	Maximum height	Max Extended Ring Height	Diameter (D)	Top Plate Cover Measurement (TPC)
	Metric	Metric	mm	mm	mm	mm	mm	mm	mm
SM8	M8	M10	13	16	18.5	21	40	60	7.3
SM12	M12	M14	23	30	34	38	60	80	10.9
SM16	M16	M18	26	35	40	45	80	100	15.0
SM20	M20	M22	31	40	45	50	100	120	18.6
SM24	M24	M27	34	45	51	57	120	140	22.3
SM30	M30	M33	39	50	56	62	140	160	26.3
SM36	M36	M39	44	55	61	67	160	190	29.3
SM42	M42	M45	49	60	66	72	190	220	35.4
SM48	M48	M52	59	70	77	85	220	230	41.5
SM56	M56	M60	61	75	82	90	230	250	43.9
SM64	M64	M68	66	80	87	95	250	280	47.6

**Table 075-2-27** Vibracon© Adjustable Chock – Standard Configurations, Grade A/B Shock Applications, ENGLISH



ENGLISH

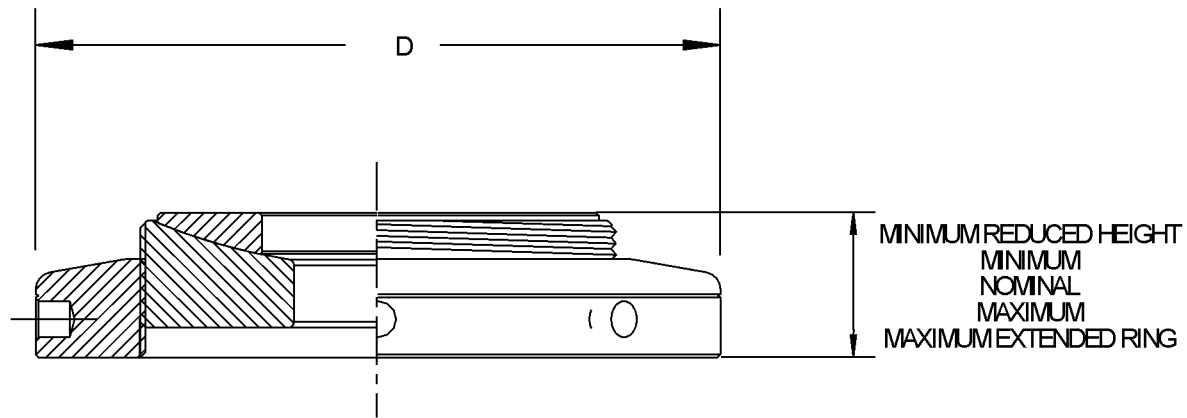
Vibracon Type	Bolt Size	Bolt Size	Min. Height Reduced	Minimum Height	Nominal Height	Maximum height	Max Extended Ring Height	Diameter (D)	Top Plate Cover Measurement (TPC)
	English	English	in	in	in	in	in	in	in
SM8	3/8"	7/16"	0.51	0.63	0.73	0.83	1.57	2.36	0.29
SM12	1/2"	9/16"	0.91	1.18	1.34	1.50	2.36	3.15	0.43
SM16	5/8"		1.02	1.38	1.57	1.77	3.15	3.94	0.59
SM20	3/4"	7/8"	1.22	1.57	1.77	1.97	3.94	4.72	0.73
SM24	1"		1.34	1.77	2.01	2.24	4.72	5.51	0.88
SM30	1 1/8"	1 1/4"	1.54	1.97	2.20	2.44	5.51	6.30	1.04
SM36	1 3/8"	1 1/2"	1.73	2.17	2.40	2.64	6.30	7.48	1.16
SM42		1 3/4"	1.93	2.36	2.60	2.83	7.48	8.66	1.39
SM48		2"	2.32	2.76	3.03	3.35	8.66	9.06	1.63
SM56	2 1/4"		2.40	2.95	3.23	3.54	9.06	9.84	1.73
SM64	2 1/2"	2 3/4"	2.60	3.15	3.43	3.74	9.84	11.02	1.87

**Table 075-2-28** Vibracon® Adjustable Chock – Low Profile Configurations, Grade A/B Shock Applications, METRIC

## METRIC

Vibracon Type	Bolt Size	Bolt Size	Min. Height Reduced	Minimum Height	Nominal Height	Maximum height	Max Extended Ring Height	Diameter (D)	Top Plate Cover Measurement (TPC)
	Metric	Metric	mm	mm	mm	mm	mm	mm	mm
SM12	M12	M14	11	13	20	25	60	80	10.9
SM16	M16	M18	11	13	20	25	80	100	15.0
SM20	M20	M22	13	15	20	25	100	120	18.6
SM24	M24	M27	13	15	20	25	120	140	22.3
SM30	M30	M33	13	15	20	25	140	160	26.3
SM36	M36	M39	13	15	20	25	160	190	29.3
SM42	M42	M45	17	20	20	25	190	220	35.4
SM48	M48	M52	17	20	20	25	220	230	41.5
SM56	M56	M60	22	26	32	38	230	250	43.9
SM64	M64	M68	22	26	32	38	250	280	47.6

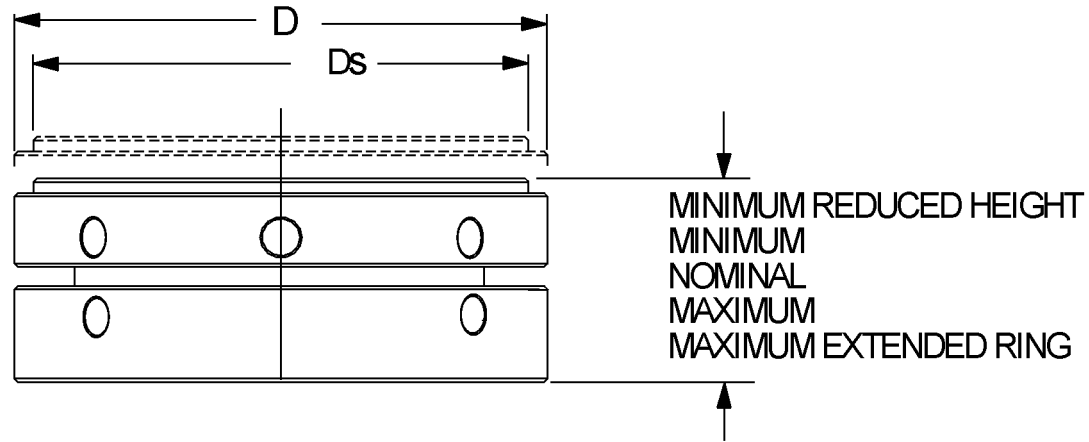
**Table 075-2-29** Vibracon© Adjustable Chock – Low Profile Configurations, Grade A/B Shock Applications, ENGLISH



ENGLISH

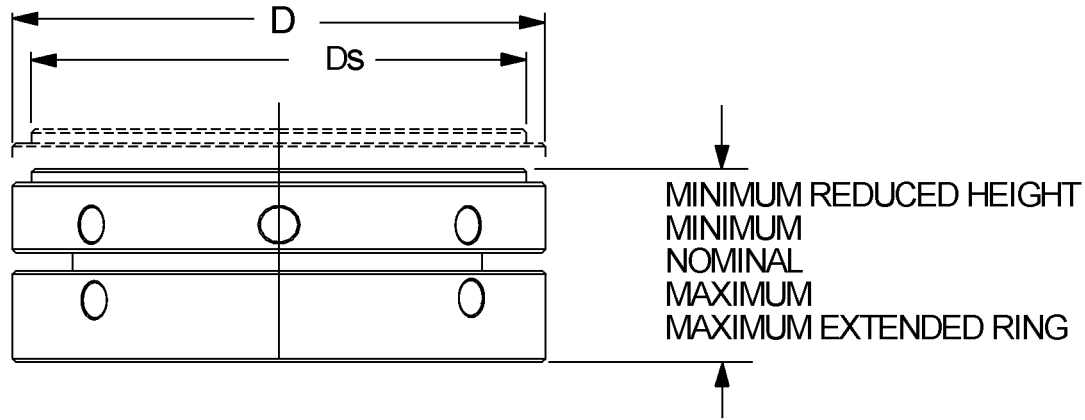
Vibracon Type	Bolt Size	Bolt Size	Min. Height Reduced	Minimum Height	Nominal Height	Maximum height	Max Extended Ring Height	Diameter (D)	Top Plate Cover Measurement (TPC)
	English	English	in	in	in	in	in	in	in
SM12	1/2"	9/16"	0.43	0.51	0.79	0.98	2.36	3.15	0.43
SM16	5/8"		0.43	0.51	0.79	0.98	3.15	3.94	0.59
SM20	3/4"	7/8"	0.51	0.59	0.79	0.98	3.94	4.72	0.73
SM24	1"		0.51	0.59	0.79	0.98	4.72	5.51	0.88
SM30	1 1/8"	1 1/4"	0.51	0.59	0.79	0.98	5.51	6.30	1.04
SM36	1 3/8"	1 1/2"	0.51	0.59	0.79	0.98	6.30	7.48	1.16
SM42		1 3/4"	0.67	0.79	0.79	0.98	7.48	8.66	1.39
SM48		2"	0.67	0.79	0.79	0.98	8.66	9.06	1.63
SM56	2 1/4"		0.87	1.02	1.26	1.50	9.06	9.84	1.73
SM64	2 1/2"	2 3/4"	0.87	1.02	1.26	1.50	9.84	11.02	1.87

Table 075-2-30 Vibracon® Adjustable Chock – Standard Configurations, Non-Shock Applications, METRIC



METRIC									
Vibracon Type	Bolt Size	Bolt Size	Min. Height Reduced	Minimum Height	Nominal Height	Maximum Height	Max. Extended Ring Height	Diameter (D)	Top Plate Cover Measurement (TPC)
	Metric	Metric	mm	mm	mm	mm	mm	mm	mm
SM8	M8	M10	13	16	18.5	21	40	40	7.3
SM12	M12	M14	23	30	34	38	60	60	10.9
SM16	M16	M18	26	35	40	45	80	80	15.0
SM20	M20	M22	31	40	45	50	100	100	18.6
SM24	M24	M27	34	45	51	57	120	120	22.3
SM30	M30	M33	39	50	56	62	140	140	26.3
SM36	M36	M39	44	55	61	67	160	160	29.3
SM42	M42	M45	49	60	66	72	190	190	35.4
SM48	M48	M52	59	70	77	85	220	220	41.5
SM56	M56	M60	61	75	82	90	230	230	43.9
SM64	M64	M68	66	80	87	95	250	250	47.6

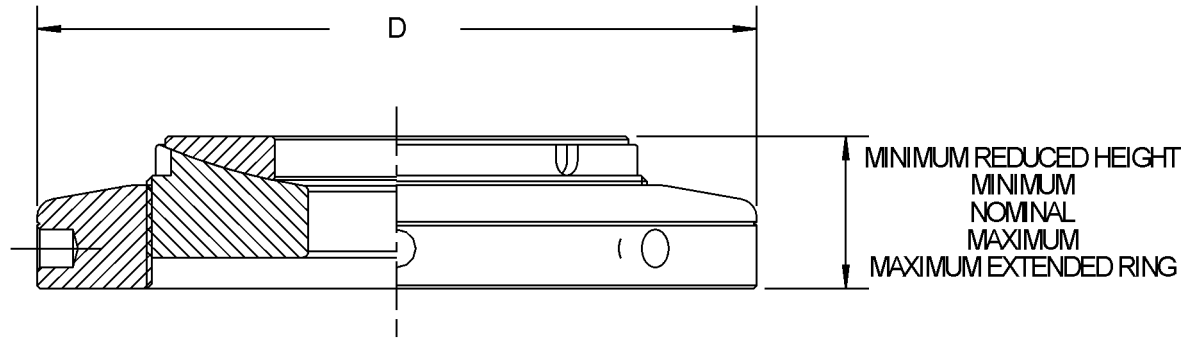
**Table 075.2.31** Vibracon® Adjustable Chock – Standard Configurations, Non-Shock Applications, ENGLISH



ENGLISH

Vibracon Type	Bolt Size	Bolt Size	Min. Height Reduced	Minimum Height	Nominal Height	Maximum height	Max Extended Ring Height	Diameter (D)	Top Plate Cover Measurement (TPC)
	English	English	in	in	in	in	in	in	in
SM8	3/8"	7/16"	0.51	0.63	0.73	0.83	1.57	1.57	0.29
SM12	1/2"	9/16"	0.91	1.18	1.34	1.50	2.36	2.36	0.43
SM16	5/8"		1.02	1.38	1.57	1.77	3.15	3.15	0.59
SM20	3/4"	7/8"	1.22	1.57	1.77	1.97	3.94	3.94	0.73
SM24	1"		1.34	1.77	2.01	2.24	4.72	4.72	0.88
SM30	1 1/8"	1 1/4"	1.54	1.97	2.20	2.44	5.51	5.51	1.04
SM36	1 3/8"	1 1/2"	1.73	2.17	2.40	2.64	6.30	6.30	1.16
SM42		1 3/4"	1.93	2.36	2.60	2.83	7.48	7.48	1.39
SM48		2"	2.32	2.76	3.03	3.35	8.66	8.66	1.63
SM56	2 1/4"		2.40	2.95	3.23	3.54	9.06	9.06	1.73
SM64	2 1/2"	2 3/4"	2.60	3.15	3.43	3.74	9.84	9.84	1.87

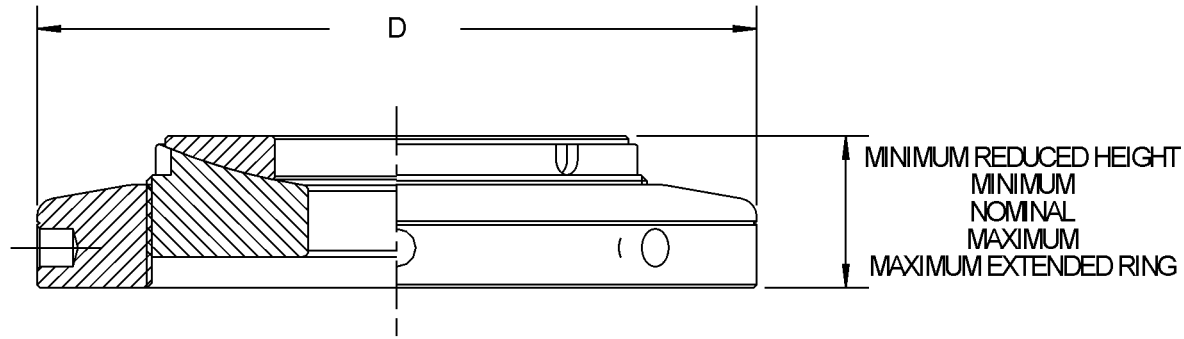
Table 075-2-32 Vibracon® Adjustable Chock – Low Profile Configurations, Non-Shock Applications, METRIC



## METRIC

Vibracon Type	Bolt size	Bolt size	Minimum Reduced Height	Minimum Height	Nominal Height	Maximum Height	Max. Extended Ring Height	Diameter (D)	Top Plate Cover Measurement (TPC)
	Metric	Metric	mm	mm	mm	mm	mm	mm	mm
SM16	M16	M18	13	20	25	30	80	80	9.3
SM20	M20	M22	15	20	25	30	100	100	11.7
SM24	M24	M27	15	20	25	30	120	120	15.4
SM30	M30	M33	15	20	25	30	140	140	18.2
SM36	M36	M39	15	20	25	30	160	160	21.0
SM42	M42	M45	20	20	25	30	190	190	25.1

**Table 075-2-33** Vibracon© Adjustable Chock – Low Profile Configurations, Non-Shock Applications, ENGLISH



ENGLISH

Vibracon Type	Bolt size	Bolt size	Minimum Reduced Height	Minimum Height	Nominal Height	Maximum Height	Max. Extended Ring Height	Diameter (D)	Top Plate Cover Measurement (TPC)
	English	English	in	in	in	in	in	in	in
SM16	5/8"		0.51	0.79	0.98	1.18	3.15	3.15	0.37
SM20	3/4"	7/8"	0.59	0.79	0.98	1.18	3.94	3.94	0.46
SM24	1"		0.59	0.79	0.98	1.18	4.72	4.72	0.61
SM30	1 1/8"	1 1/4"	0.59	0.79	0.98	1.18	5.51	5.51	0.72
SM36	1 3/8"	1 1/2"	0.59	0.79	0.98	1.18	6.30	6.30	0.83
SM42		1 3/4"	0.79	0.79	0.98	1.18	7.48	7.48	0.99



## SECTION 3

### THREADED FASTENER MATERIALS AND MARKING

#### 075-3.1 GENERAL

075-3.1.1 This section provides the information necessary to identify existing fasteners by their markings and determine their physical properties, such as strength and corrosion resistance. It discusses the following subjects:

- a. Level I fastener applications
- b. Fastener requirements and specifications
- c. Fasteners in accordance with MIL-DTL-1222
- d. Materials
- e. Markings
- f. Corrosion
- g. Coatings
- h. Fastener temperature considerations
- i. Metric fasteners
- j. Fastener part numbering systems

#### 075-3.2 MATERIAL REQUIREMENTS AND SPECIFICATIONS

075-3.2.1 **FASTENER REQUIREMENTS FOR MIC LEVEL I APPLICATIONS.** Level I is a designation for systems and components for which the Navy requires a high degree of assurance that the chemical composition and mechanical properties of the installed materials meet the specified requirements. NAVSEA 0948-045-7010, **Material Control Standard**, establishes a Material Identification and Control (MIC) program for systems and associated components designated as Level I. The Material Control Standard is designed to ensure that the correct material is installed in Level I systems and component installations aboard ship and that such material is traceable to records of objective quality evidence. NAVSEA 0948-LP-045-70 10 also provides criteria for determining the Level I systems boundaries. Few, if any, MIC Level I applications use metric fasteners, therefore the following only describes inch-based fasteners for Level I applications.

075-3.2.2 **LEVEL I REQUIREMENTS FOR FASTENERS.** Appendix C of NAVSEA 0948-LP-045-7010 contains Level I requirements for fasteners as identified in paragraph [075-3.2.2.1](#) through paragraph [075-3.2.2.3](#)

075-3.2.2.1 **Procurement Specifications.** Most Level I fasteners are procured to MIL-DTL-1222. MIL-DTL-1222 requires marking for all grades of all material except for low strength carbon steel hex head screws and bolts, and high strength alloy steel socket head capscrews. See paragraph [075-3.2.2.1.1](#) for additional marking requirement for alloy steel socket head capscrews purchased in accordance with MIL-DTL-1222. Copper-nickel self-locking nuts should be procured to NASM25027 or MIL-DTL-32258. FF S 86 has been used as a procurement specification for socket head capscrews, but it does not require marking of the fasteners. Therefore, FF-S-86 needs to have supplementary requirements added to require fastener markings when used to procure Level I fasteners. See paragraph [075-3.2.2.1.2](#) for required supplementary markings that need to be specified on a purchase

of Level I FF-S-86 socket head capscrews. Fasteners to other specifications can be used in Level I systems when specifically identified by NAVSEA drawings, technical manuals or maintenance standards.

075-3.2.2.1.1 If MIL-DTL-1222 is the procurement specification for Level I alloy steel socket head capscrews purchased as a local supply, the following additional marking requirements shall be added:

a. Alloy steel socket head capscrews shall be marked "A574".

075-3.2.2.1.2 FF-S-86 may be used to procure socket head capscrews out of the following common Naval materials: alloy steel, CRES, and Nickel Copper (Monel 400). If FF-S-86 is used as the procurement specification for Level I fasteners purchased as a local supply, the following additional marking requirements shall be added:

a. Alloy steel fasteners shall be marked "A574".

b. CRES fasteners shall be marked with the three digit alloy number followed by the symbol "An". Examples of CRES markings are "316An", "304An", and "384An".

c. Nickel Copper fasteners shall be marked "NiCu".

d. The method of marking shall be types I, II, III, V, VIII or IX of MIL-STD-792 except for grade A574, which shall be marked by method I. I Traceability marking must be legible after the application of protective compounds.

### CAUTION

**Due to the critical nature of where K-Monel fasteners are used, and due to special K-Monel processing requirements not provided in FF-S-86, FF-S-86 shall not be used to procure K-Monel fasteners. Instead, MIL-DTL-1222 shall be used to procure all K-Monel socket head capscrews.**

075-3.2.2.2 Fastener Identification and Control. Level I and submarine hull integrity fasteners having a nominal diameter 1/2 inch and larger are to be marked with the material grade, manufacturer's trademark or symbol, and a traceability number (i.e., heat number, heat treat number, and/or lot number as applicable). MIL-DTL-1222 fasteners used in Level I applications are to be procured to lot definition "a" of MIL-DTL-1222. Socket head capscrews may present an exception to the requirement for material grade marking. A universal material grade marking has not been established for alloy steel socket head capscrews. (See paragraph 075-2.5.1.3 and paragraph 075-2.5.1.5 for help in identifying socket head capscrews.) In some cases, manufacturers use a unique knurling pattern for socket head capscrews instead of a manufacturer's trademark or symbol.

075-3.2.2.3 Color Coding. For loose fasteners which are not marked with a traceability number, the fasteners are marked with a color code by painting after acceptance at receipt inspection. The materials and the color codes are:

**Blue** - Carbon and alloy steels of the following grades

Nuts - ASTM A 194 Grades 2H, 4 and 7

Externally threaded - ASTM A 193 Grades B-7, B16 AISI 4340

**Green** - Nickel-Copper

ASTM F 467 and F 468  
 Grades 400 and 405  
 Grade 400 marked "NC" or "NICU"  
 Grade 405 marked "NC-R" or "NICU-R"  
 Nickel-Copper Self-locking Nuts - NASM25027  
 "NICU" - 250° element  
 "NICUV" - 450° element

**Pink** - Nickel-Copper-Aluminum - QQ-N-286 marked ".K."

**Orange** - Materials other than those above

Color coding does not apply to fasteners supplied as part of an assembly or those with traceability numbers.

075-3.2.3 FASTENER MATERIAL CHARACTERISTICS, IDENTIFICATION MARKINGS AND SUGGESTED USE. Table 075-3-1 lists the material characteristics (chemical and physical) for many of the fastener materials that have been used for Navy ships. However, listing in the table does not necessarily reflect current requirements for fastener selection. MIL-STD-438 and MIL-STD-777 identify current requirements for fastener materials for piping system installation. Materials shown on technical documentation should be used unless a substitute is specifically authorized herein. SAE J2280 ( **Fasteners - Selection And Identification Requirements** ) provides additional guidance in selecting the appropriate fastener for an application. While SAE J2280 does not supersede other guidance provided here, it can be used to supplement the guidance. See paragraph 075-3.7 for metric fastener information. Table 075-3-1 also contains examples of the markings used by different fastener specifications. Typically, the only fasteners that are not marked are low strength, grade 2 hex head capscrews or socket head capscrews of any material. Paragraph 075-3.4.3 discusses problems with unmarked fasteners in more detail.

075-3.2.3.1 Chemical and Physical Properties. Some fasteners are available in more than one grade or strength level for the same alloy. For example, 316 stainless steel is available in four different conditions with the strength level for each condition dependent upon the diameter of the fastener. This means that a fastener identified as being cold worked, strain hardened or heat treated has greater strength characteristics than an annealed fastener or one without these conditions specified. In some cases there are slight differences in strength requirements between industry standards and MIL-DTL-1222 for the same material condition. In such cases, we have listed the lower value in Table 075-3-1. The differences in requirements are not considered significant enough to affect interchangeability.

075-3.2.3.2 Material Identification Markings. The applicable procurement specification will identify the required marking, if any. Unfortunately, chemically and physically interchangeable fasteners to different specifications have different markings. Commercial fasteners are most often marked in accordance with ASTM fastener standards. ASTM F 1077 ( **Standard Guide for Selection of Committee F-16 Fastener Specifications** ) provides a relatively rapid and easy to use guide for identifying applicable product markings. However, it is still necessary to refer to the applicable ASTM fastener standard to identify the strength level of the fastener. SAE J429 ( **Mechanical and Material Requirements for Externally Threaded Fasteners** ) and SAE J995 ( **Mechanical and Material Requirements for Steel Nuts** ) identify both markings and strength levels for fasteners to these standards. For marking of MIL-DTL-1222 fasteners, refer to Table 075-3-1. MIL-HDBK-131A, while somewhat outdated, provides identification markings and mechanical properties for many military (AN, MS) fasteners and fasteners to National Aerospace Standards (NAS). The identification markings in Table 075-3-1 list both MIL-DTL-1222 and commercial markings except that the ASTM F 593 and ASTM F 594 markings for stainless steel fasteners are not included. These are described in the following paragraph.

075-3.2.3.3 Material Identification Markings for Stainless Steel Fasteners. Stainless steel fasteners often present the most problems in verifying that the item is of the proper strength. For commercial fasteners, ASTM F 593 ( **Screws, Bolts, and Studs** ) and ASTM F 594 ( **Nuts** ) are the procurement standards most often used. These standards divide the alloys into groups with similar properties. Within a group the alloys are considered interchangeable. Table 075-3-2 lists the markings for ASTM F 593 stainless steel bolts, screws and studs. The markings are the same for ASTM F 594 nuts except that "F594" is used instead of "F593." For nuts, alloys 303, XM1, and 303Se are also included in Group 1. Refer either to Table 075-3-1 or ASTM F 593 and ASTM F 594 for strength and hardness requirements. Table 075-3-3 lists identification marking used on 400 series stainless steels.

075-3.2.3.4 Identifying Material When Fasteners Are Not Marked. Use of a magnet to identify unmarked fasteners is essential. In fact, it is a good idea to check all fasteners with a magnet as a quick check that the material is proper. In general, highly magnetic fasteners are either alloy or carbon steel and usually have a higher strength than most non or weakly magnetic materials. Table 075-3-1 indicates whether or not specific fasteners are magnetic. Table 075-2-4 provides more information on identifying socket head capscrews. When further fastener material identification is needed, acid spot checks can be accomplished. NAVSEA 0948-LP-045-7010 Vol. 2, **Material Control Standard** , contains acid spot test procedures for most of the fastener alloys used in ships.

075-3.2.3.5 Manufacturer's Markings. Fasteners are often marked with a manufacturer's marking and in the future this may be a requirement for most fasteners. Manufacturer's markings are listed in MIL-HDBK-57.

### 075-3.3 MIL-DTL-1222 FASTENERS.

075-3.3.1 BACKGROUND. In the past, MIL-S-1222 was used to procure fasteners made from a wide range of materials for use in a wide range of shipboard applications. Unfortunately, MIL-S-1222 lacked information on part numbers for most fasteners, which prevents easy identification of the fasteners and significantly hinders logistic support. Additionally, specification reform efforts are canceling military specifications and replacing them with commercial specifications. MIL-S-1222H has been replaced with MIL-DTL-1222J which now includes a part numbering system. Therefore, MIL-DTL- 1222 fasteners are recommended primarily for new design nuclear applications, SUB SAFE applications and applications requiring MIC Level I material identification. Fasteners for all other applications should be bought to commercial specifications (see paragraph 075-3.8. MIL-DTL-1222 also covers a number of coatings. Many materials in MIL-DTL-1222 should not be coated or plated. In ordering replacement fasteners, the guidance in paragraph 075-2.4 through paragraph 75-2.4.3 should be followed.

#### NOTE

Fastener specification MIL-B-857 has been canceled and superseded by MIL-S-1222, which has been replaced by MIL-DTL-1222. See MIL-DTL-1222 for replacement materials. When specification or part standard revisions are identified on drawings, later revisions may be used. Fasteners to earlier revisions may be installed, including substitution of MIL-B-857 and MIL-S-1222 fasteners for MIL-DTL-1222 fasteners when it is verified that the MIL-B-857 fastener is the same material and condition and possesses adequate strength.

075-3.3.2 MIL-DTL-1222 FASTENER MATERIAL MARKING. MIL-DTL-1222 fasteners are permanently marked with the appropriate material grade identified in the specification. For stainless steels, this is likely to be one of the alloys (grades) listed in Table 075-3-1.

075-3.3.2.1 300 Series Stainless. MIL-DTL-1222 marking requirements are not as definitive as those of ASTM F 593 and ASTM F 594. Accordingly, a marking of "304", "316" or "321" or other 300 series number on a fastener does not identify the physical condition (annealed, cold worked or strain hardened) and the corresponding strength of the fastener. The symbol "An" after the 300 series alloy (grade) marking, means a lower strength fastener machined from annealed stock or fasteners which have been reannealed after being headed and rolled. The cold worked condition is the industry standard and can be substituted for the lower strength annealed fasteners. Alloys in the same alloy group as identified in Table 075-3-2 are interchangeable. Alloys "303" and "303 Se" do not have satisfactory corrosion resistance and should not be used. Stainless steel fasteners are sometimes ordered to and marked in accordance with ASTM A 193 (Bolting Materials) and ASTM A 194 (Nuts) for high temperature service. The ASTM A 193 and A 194 marking for stainless most likely to be encountered are:

Alloy	304	316	321	347
Bolts, Screws, Studs	B8 B8A B8N B8NA	B8M B8D	B8T B8J	B8C B8B
Nuts	8 8B 8A 8N 8NB 8NA	8M 8MA 8MB	8T 8TB 8TA	8C 8CB 8CA
NOTE				
If the marking is underlined such as "B8" this indicates strain hardened and higher strength similar to the marking for the ASTM F 593 fasteners.				

075-3.3.2.2 400 Series Stainless Steel. Several different markings have been used for 400 series stainless steel externally threaded fasteners to MIL-DTL-1222. While MIL-DTL-1222 materials are in accordance with ASTM F 593, slightly different physical characteristics are required. Marking and yield strength (YS) are compared in Table 075-3-3. Generally this minor difference in strength will not affect interchangeability. However, when technical documentation calls for legacy MIL-S-1222 Alloy 410 H or 416 H, the strength level depends on the revision of MIL-S-1222. In such cases use the higher strength fasteners hardened and tempered at 515°F or consult NAVSEA (see warning).

### WARNING

**Condition H for Alloys 410 and 416 represents different strength levels in MIL-S-1222 revisions G and H. The actual strength level of fasteners can be determined by their marking. A problem arises if drawings refer to MIL-S-1222 Alloy 410 H (or 416 H) and do not identify either the specification revision or the strength level required. (In such instances, contact NAVSEA for guidance.)**

075-3.3.2.3 Marking Locations. The location of markings for each type of fastener is also shown in Table 075-3-1.

### 075-3.3.3 AVAILABILITY

075-3.3.3.1 Fastener Part Numbers. Unique, legacy part numbers are available for some MIL-S-1222 fasteners. The part numbers can be used with appropriate cross references to identify National Stock Numbers. Table 075-3-4 lists the applicable military standards. Paragraph 075-3.8.2 describes other part numbering systems that are based on Society of Automotive Engineers (SAE) specifications which allow a fastener's mechanical and material properties to be precisely described. These part numbers are primarily used for fasteners used in non-Level I, non-SUBSAFE, non-nuclear applications as a replacement for the vague MIL-S-1222 terminology.

075-3.3.3.2 Other Sources. National Stock Numbers also cover other legacy MIL-S-1222 fasteners for which no part numbers exist. A few such fasteners are listed in the Afloat Shopping Guide (NAVSUP Publication 4000 - Stock Number 0588-LP-460-1200), and a more extensive list is given in NAVSEA 0948-LP-103-6010, **Level 1/Subsafe Stock Program Catalog** (use the fasteners in this catalog for Level 1/Subsafe applications).




---

### **WARNING**

---


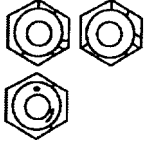
**Ferrous (carbon steel) fasteners shall not be used in seawater or in other systems where non-ferrous piping is installed. There continues to be a recurring problem with leaks where ferrous fasteners are used in seawater systems. The piping and fittings in these systems are usually made of copper-nickel. Carbon steel fasteners will be subject to galvanic corrosion if coupled with copper-nickel. This has not led to fastener failure but has caused failure of the flange (leakage). This can also be a major maintenance burden as the fastener may have to be cut to facilitate disassembly. There is also a similar problem where ferrous fasteners are installed in nonferrous systems located below the bilge plates.**

**Table 075-3-1. FASTENER MATERIAL CHARACTERISTICS (CHEMICAL AND PHYSICAL), IDENTIFICATION MARKINGS AND SUGGESTED USE**

Fastener Material and Type	Material Specification, Grade, Type, Class or Alloy & Condition	Strength in KSI-Yield (Y) Tensile (T) Proof (P)	Hardness, Brinell (B) Or Rockwell (R)	Coating Type Permitted (NOTE: may limit useable temperature)	Temp. Limits for Fastener	Identification Marking	Suggested Usage for Threaded Fasteners
Carbon Steel magnetic Stud, hex head Bolt & Capscrew	SAE J429 Grade 2 & ASTM A 394 ASTM A 307	Various	Various		Up to 650°F	None	1. Not for pressure sealing applications. 2. Do not use in weather or bilge. 3. Replace with Grade 5 material when replacement is required.
Carbon Steel magnetic Nut	SAE J995 Grade 2 & ASTM A 563 Grade O, A & B				Up to 650°F	None	
Medium Carbon Steel magnetic Stud, Hex Head Bolt & Capscrew	SAE J429 Grade 5 & ASTM A 449 Type I	* 1/4 to 1 Y = 92 min T = 120 min *1 to 1-1/2 Y = 81 min T = 105 min	* 1/4 to 1 (B) 255 to 321 *1 to 1-1/2 (B) 223 to 285	Zinc for mild service, 300°F	Up to 650°F		1. Use in piping systems where specified in Mil. Stds 438 and 777 or piping drawings such as a. Steel pressure vessels & piping systems b. Pipe hangers c. Foundation & general structural bolting, including Grade A HI-shock components. 2. Do not use in bilge 3. Do not use in weather unless nut tapped oversize and thick coating applied to nut & bolt. 4. May be used as replacement for lower grade steel fasteners.
	ASTM A 354 Grade BC	*1/4 to 2-1/2 Y = 109 min T = 125 min	*1/4 to 2-1/2 (B) 255 to 331				
	ASTM A 325 Type I	Y = 81 min T = 105 min	*1/2 to 1 (B) 246 to 331 *1-1/8 to 1-1/2 (B) 223 to 293				




**Table 075-3-1. FASTENER MATERIAL CHARACTERISTICS (CHEMICAL AND PHYSICAL),**

IDENTIFICATION MARKINGS AND SUGGESTED USE - Continued

Fastener Material and Type	Material Specification, Grade, Type, Class or Alloy & Condition	Strength in KSI-Yield (Y) Tensile (T) Proof (P)	Hardness, Brinell (B) Or Rockwell (R)	Coating Type Permitted (NOTE: may limit useable temperature)	Temp. Limits for Fastener	Identification Marking	Suggested Usage for Threaded Fasteners
Medium Carbon Steel magnetic Nut	SAE J995 Grade 5 (Per MIL-S-1222) & ASTM A 563 Grade C	SAE J995 Grade 5 * 1/4 to 1 P=120 * over 1 P=105 ASTM A 563 Grade C P = 144	* 1/2 to 4 (B) 143 to 352		Up to 650°F		
	SAE J995 Grade 5						

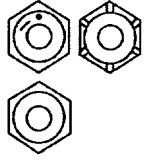

**Table 075-3-1. FASTENER MATERIAL CHARACTERISTICS (CHEMICAL AND PHYSICAL),**

**IDENTIFICATION MARKINGS AND SUGGESTED USE - Continued**

<b>Fastener Material and Type</b>	<b>Material Specification, Grade, Type, Class or Alloy &amp; Condition</b>	<b>Strength in KSI-Yield (Y) Tensile (T) Proof (P)</b>	<b>Hardness, Brinell (B) Or Rockwell (R)</b>	<b>Coating Type Permitted (NOTE: may limit useable temperature)</b>	<b>Temp. Limits for Fastener</b>	<b>Identification Marking</b>	<b>Suggested Usage for Threaded Fasteners</b>
Medium Carbon Alloy Steel magnetic Stud, Hex Head Bolt & Capscrew	SAE J429 Grade 8 & ASTM A 354 Grade BD	Y = 130 min T = 150 min	*1/4 to 2-1/2 (B) 311 to 363		Up to 650°F	 (Note: Bolts to A354 may also add "BD")	<ol style="list-style-type: none"> <li>1. High-strength general purpose fastener for joining steel components.</li> <li>2. Use in piping systems where specified in Mil. Stds 438 or 777 or piping drawings.</li> <li>3. Use heavy hex bolt series.</li> <li>4. Requires heavy hex nut to develop full fastener strength.</li> <li>5. See <a href="#">075-2.5.3.3</a> for restrictions on the use of Grade 8 plated fasteners including substitutions for lower grade fasteners.</li> <li>6. Plated Grade 8 fasteners are not for use in the weather, bilge or high humidity areas. Unplated Grade 8 fasteners may be used in these applications when coated as described in <a href="#">075-3.4.2.1</a>.</li> </ol>
	ASTM A 490 Type 1	Y = 130 min T = 150 min	*1/2 to 1-1/2 (B) 311 to 352				
Alloy Steel magnetic Nut	SAE 1995 Grade 8 (per MIL-S-1222)	SAE 1995 Grade 8 P=150	(B) 248 to 352	Black Oxide only due to Hydrogen embrittlement concern with nuts and bolts and their combination	Up to 650°F		




**Table 075-3-1.** FASTENER MATERIAL CHARACTERISTICS (CHEMICAL AND PHYSICAL),

IDENTIFICATION MARKINGS AND SUGGESTED USE - Continued

Fastener Material and Type	Material Specification, Grade, Type, Class or Alloy & Condition	Strength in KSI-Yield (Y) Tensile (T) Proof (P)	Hardness, Brinell (B) Or Rockwell (R)	Coating Type Permitted (NOTE: may limit useable temperature)	Temp. Limits for Fastener	Identification Marking	Suggested Usage for Threaded Fasteners
	SAE J995 Grade 8			Use only in dry locations above the piping bilge area.			
Alloy Steel Cr-Mo magnetic Stud, Hex Head Bolt & Capscrew	ASTM A 320 Grade L7	Y = 105 min T = 125 min	None Specified		-60°F to 775°F		<ol style="list-style-type: none"> <li>1. Low-temperature service, -60°F to 775°F, for joining steel components.</li> <li>2. Use special ASTM A 194 Grade 7 nut ordered for low-temperature applications. Testing requirements shall be per ASTM A 320.</li> <li>3. Use heavy hex screw series, except that max body diameter and fillet radius may be the same as Heavy Hex Bolt Series.</li> <li>4. Fastener may not be available in stock system. Consult NAVSEA for replacement</li> </ol>




**Table 075-3-1. FASTENER MATERIAL CHARACTERISTICS (CHEMICAL AND PHYSICAL),**

**IDENTIFICATION MARKINGS AND SUGGESTED USE - Continued**

<b>Fastener Material and Type</b>	<b>Material Specification, Grade, Type, Class or Alloy &amp; Condition</b>	<b>Strength in KSI-Yield (Y) Tensile (T) Proof (P)</b>	<b>Hardness, Brinell (B) Or Rockwell (R)</b>	<b>Coating Type Permitted (NOTE: may limit useable temperature)</b>	<b>Temp. Limits for Fastener</b>	<b>Identification Marking</b>	<b>Suggested Usage for Threaded Fasteners</b>
Alloy Steel Ni-Cr-Mo magnetic Stud, Hex Head Bolt & Capscrew	ASTM A 320 Grade L43	Y = 105 min T = 125 min	None Specified		-60°F to 775°F		<ol style="list-style-type: none"> <li>1. Low-temperature service, -60°F to 775°F, for joining steel components.</li> <li>2. Better low-temperature impact resistance than Grade L7.</li> <li>3. Use heavy hex screw series, except that max body diameter and fillet radius may be the same as Heavy Hex Bolt Series.</li> <li>4 Use ASTM A 194 Grade 4 or 7 nut ordered for low-temperature use. Testing requirements shall be per ASTM A 320.</li> <li>5. Fastener may not be available in stock system. Consult NAVSEA for replacement</li> </ol>
Alloy Steel Cr-Mo magnetic Nut	ASTM A 194 Grade 4	P = 175 for heavy hex	(B) 248 to 352		-60°F to 875°F	 <b>4B, mfg from bar</b>	<ol style="list-style-type: none"> <li>1. Nuts for ASTM A 193 B7 and B16 high temperature bolts.</li> <li>2. Grade 4 nuts should not be used in applications where prolonged exposure to temperatures above 875°F may occur.</li> <li>3. Damaged Grade 4 nuts may be replaced with Grade 7 nuts.</li> </ol>
	ASTM A 194 Grade 7				-60°F to 1000°F	 <b>7B, mfg from bar</b>	<ol style="list-style-type: none"> <li>1. Nuts for ASTM A 193 B7 and B16 high temperature bolts.</li> <li>2 For pressure boundaries and piping to 875°F as specified on drawings or in Mil. Stds. 428 or 777.</li> </ol>



**Table 075-3-1. FASTENER MATERIAL CHARACTERISTICS (CHEMICAL AND PHYSICAL),**

IDENTIFICATION MARKINGS AND SUGGESTED USE - Continued

Fastener Material and Type	Material Specification, Grade, Type, Class or Alloy & Condition	Strength in KSI-Yield (Y) Tensile (T) Proof (P)	Hardness, Brinell (B) Or Rockwell (R)	Coating Type Permitted (NOTE: may limit useable temperature)	Temp. Limits for Fastener	Identification Marking	Suggested Usage for Threaded Fasteners
Alloy Steel Cr-Mo magnetic · Stud, Hex Head Bolt & Capscrew	ASTM A 193 Grade B7	Up to *2-1/2 Y = 100 min T = 125 min	None specified	None · Use only in dry locations above the piping bilge area.	Up to 775°F		1. For pressure boundaries and piping to 775°F as specified on drawings or in Mil. Stds. 428 or 777. 2. Use heavy hex screw series. 3. B7 may be replaced with B16.
Alloy Steel Cr-Mo-V magnetic · Stud, Hex Head Bolt & Capscrew	ASTM A 193 Grade B16	Up to *2-1/2 Y = 105 min T = 125 min	None specified bilge area.	None. Use only in dry locations above the piping	Up to 1000°F		1. For pressure boundaries and piping to 1000°F as specified on drawings or in Mil. Stds. 428 or 777. 2. Use heavy hex screw series. 3. Grade 7 heavy hex nut required.
Carbon Steel magnetic · Nut	ASTM A 194 Grade 2H	P = 175	Up to *1-1/2 (B) 248 to 352 over *1-1/2 (B) 212 to 352		Up to 650°F	 2HB, mfg from bar	1. Nuts for Grade B7 bolts. 2. Heavy hex nut required. 3. When replacing damaged Grade 2H nuts, replace with Grade 7 nuts.
Alloy Steel magnetic · Socket head capscrew	ASTM A 574 Grade 574	T = 170 min		Use only in dry locations above the piping bilge area.		None (Magnetic)	1. For replacement, see paragraph <a href="#">075-2.5.1.1.1</a>



**Table 075-3-1. FASTENER MATERIAL CHARACTERISTICS (CHEMICAL AND PHYSICAL),**

**IDENTIFICATION MARKINGS AND SUGGESTED USE - Continued**

Fastener Material and Type	Material Specification, Grade, Type, Class or Alloy & Condition	Strength in KSI-Yield (Y) Tensile (T) Proof (P)	Hardness, Brinell (B) Or Rockwell (R)	Coating Type Permitted (NOTE: may limit useable temperature)	Temp. Limits for Fastener	Identification Marking	Suggested Usage for Threaded Fasteners
CRES, Austenitic, Non-magnetic in Annealed (A or AF) condi- tion . Stud, Hex Head bolt & Capscrew	ASTM F 593 Group 1, AM7, 304, 305, & 384 condition CW, A or AF	CW 1/4 to 5/8 Y=65 T= 100 to 150 CW 3/4 to 1-1/2 Y=45 T = 85 to 140 . A 1/4 to 1-1/2 Y = 30 T = 75 to 100 . AF 1/4 to 1-1/2 T=85 max	CW 1/4 to 5/8 (R) 95B to 32C CW 3/4 to 1-1/2 (R) 80B to 32C . A (R) 65B to 95B . AF (R) 85B max	None	600°F (304 may be used up to 1000°F)	 (See 075-3.3.2.1)	1. Can be cold-worked to a variety of strengths, but then becomes magnetic. Low strength above 600°F. 2. Do not use in 600 psi and above steam systems. 3. Resistant to mild corrosive atmospheres. 4. Do not use in submerged locations or bilges. 5. Not interchangeable with bolts or nuts from other groups. Use only ASTM F 594 group 1 nuts. 6. For mounting antennas to foundations and where mild corrosion resistance or low magnetic properties are desired. 7. Do not use with steel washers, pins, wires or other small carbon or alloy steel items. Steel can galvanically corrode when in contact with this material.
CRES, Austenitic, Non-magnetic in Annealed (A or AF) condi- tion . Nut	ASTM F 594 Group 1, AM7, 304, 305, & 384 condition CW, A or AF	CW 1/4 to 5/8 P = 100 CW 3/4 to 1-1/2 P = 85 . A 1/4 to 1-1/2 P = 75 . AF 1/4 to 1-1/2 P = 70	CW 1/4 to 5/8 (R) 95B to 32C CW 3/4 to 1-1/2 (R) 80B to 32C. A (R) 65B to 95B. AF (R) 85B max	None	600°F (304 may be used up to 1000°F)	 (See 075-3.3.2.1)	1. Nuts for use with ASTM F 593 group 1 bolts. Can be used on any group 1 bolt, provided that they are the same condition. 2. Do not use with steel washers, pins, wires or other small carbon or alloy steel items. Steel can galvanically corrode when in contact with this material.


**Table 075-3-1. FASTENER MATERIAL CHARACTERISTICS (CHEMICAL AND PHYSICAL),**

IDENTIFICATION MARKINGS AND SUGGESTED USE - Continued

Fastener Material and Type	Material Specification, Grade, Type, Class or Alloy & Condition	Strength in KSI-Yield (Y) Tensile (T) Proof (P)	Hardness, Brinell (B) Or Rockwell (R)	Coating Type Permitted (NOTE: may limit useable temperature)	Temp. Limits for Fastener	Identification Marking	Suggested Usage for Threaded Fasteners
CRES, Austenitic, Non-magnetic in Annealed (A or AF) condition Stud, Hex Head bolt and Capscrew	ASTM F 593 Group 2, 316 condition CW, A, or AF	CW 1/4 to 5/8 Y=65 T = 100 to 150 CW 3/4 to 1-1/2 Y = 45 T = 85 to 140 A 1/4 to 1-1/2 Y = 30 T = 75 to 100 AF 1/4 to 1-1/2 T=85 max	CW 1/4 to 5/8 (R) 95B to 32C CW 3/4 to 1-1/2 (R) 80B to 32C A (R) 65B to 95B AF (R) 85B max	None	600°F (when exposed to seawater 120°F)		<ol style="list-style-type: none"> <li>1. Can be cold-worked to a variety of strengths, but then becomes magnetic. Low strength above 600°F.</li> <li>2. Do not use in 600 psi and above steam sy</li> <li>3. More corrosion resistant than ASTM F 593 group 1 bolts.stems.</li> <li>4. Not interchangeable with bolts or nuts from other groups. Use only ASTM F 594 group 2 nuts.</li> <li>5. Same applications as ASTM F 593 group 1, where better corrosion resistance is desired.</li> <li>6. Do not use with steel washers, pins, wires or other small carbon or alloy steel items. Steel can galvanically corrode when in contact with this material.</li> </ol>
CRES, Austenitic, Non-magnetic in Annealed (A or AF) condition Nut	ASTM F 594 Group 2, 316 condition CW, A, or AF	CW 1/4 to 5/8 P = 100 CW 3/4 to 1-1/2 P = 85 A 1/4 to 1-1/2 P = 75 AF 1/4 to 1-1/2 P = 70	CW 1/4 to 5/8 (R) 95B to 32C CW 3/4 to 1-1/2 (R) 80B to 32C A (R) 65B to 95B AF (R) 85B max	None	600°F (when exposed to seawater 120°F)		<ol style="list-style-type: none"> <li>1. Nuts for use with ASTM F 593 group 2 bolts. Can be used on any group 2 bolt, provided that they are the same condition.</li> <li>2. Do not use with steel washers, pins, wires or other small carbon or alloy steel items. Steel can galvanically corrode when in contact with this material.</li> <li>3. May not be stocked. Consult NAVSEA for replacement.</li> </ol>



**Table 075-3-1. FASTENER MATERIAL CHARACTERISTICS (CHEMICAL AND PHYSICAL),**

**IDENTIFICATION MARKINGS AND SUGGESTED USE - Continued**

Fastener Material and Type	Material Specification, Grade, Type, Class or Alloy & Condition	Strength in KSI-Yield (Y) Tensile (T) Proof (P)	Hardness, Brinell (B) Or Rockwell (R)	Coating Type Permitted (NOTE: may limit useable temperature)	Temp. Limits for Fastener	Identification Marking	Suggested Usage for Threaded Fasteners
<p>CRES, Austenitic, Non-Magnetic in Annealed (A or AF) condition</p> <p>Stud, Hex Head bolt and Capscrew</p>	<p>ASTM F 593 Group 3, 321, 347 condition CW, A, or AF</p>	<p>CW 1/4 to 5/8 Y = 65 T = 100 to 150 CW 3/4 to 1-1/2 Y = 45 T = 85 to 140</p> <p>A 1/4 to 1-1/2 Y = 30 T = 75 to 100</p> <p>AF 1/4 to 1-1/2 T = 85 max</p>	<p>CW 1/4 to 5/8 (R) 95B to 32C CW 3/4 to 1-1/2 (R) 80B to 32C</p> <p>A (R) 65B to 95B</p> <p>AF (R) 85B max</p>	<p>None</p>	<p>600°F (low strength to 1125°F)</p>	 <p>321 or 347 as applicable (See 075-3.3.2.1)</p>	<ol style="list-style-type: none"> <li>1. Can be cold-worked to a variety of strengths, but then becomes magnetic. Low strength above 600°F.</li> <li>2. Do not use in 600 psi and above steam systems.</li> <li>3. Not interchangeable with bolts or nuts from other groups. Use only ASTM F 594 group 3 nuts.</li> <li>4. Used for high-temperature applications up to 1125°F where low stresses are involved (such as diesel exhaust or gas turbine exhaust and bleed air).</li> <li>5. May be used for fastening steel or aluminum materials exposed to the weather.</li> <li>6. Do not use with steel washers, pins, wires or other small carbon or alloy steel items. Steel can galvanically corrode when in contact with this material.</li> <li>7. May not be stocked. Consult NAVSEA for replacement.</li> </ol>



**Table 075-3-1.** FASTENER MATERIAL CHARACTERISTICS (CHEMICAL AND PHYSICAL),

IDENTIFICATION MARKINGS AND SUGGESTED USE - Continued

Fastener Material and Type	Material Specification, Grade, Type, Class or Alloy & Condition	Strength in KSI-Yield (Y) Tensile (T) Proof (P)	Hardness, Brinell (B) Or Rockwell (R)	Coating Type Permitted (NOTE: may limit useable temperature)	Temp. Limits for Fastener	Identification Marking	Suggested Usage for Threaded Fasteners
CRES, Austenitic, Non-Magnetic in Annealed (A or AF) condition Nut	ASTM F 594 Group 3, 321, 347 condition CW, A, or AF	CW 1/4 to 5/8 P = 100 CW 3/4 to 1-1/2 P = 85 . A 1/4 to 1-1/2 P = 75 . AF 1/4 to 1-1/2 P = 70	CW 1/4 to 5/8 (R) 95B to 32C CW 3/4 to 1-1/2 (R) 80B to 32C . A (R) 65B to 95B . AF (R) 85B max	None	600°F (low strength to 1125°F)	 321 or 347 as applicable (See 075-3.3.2.1)	1. Nuts for use with ASTM F 593 group 3 bolts. Can be used on any group 3 bolt, provided that they are the same condition. 2. Do not use with steel washers, pins, wires or other small carbon or alloy steel items. Steel can galvanically corrode when in contact with this material. 3. May not be stocked. Consult NAVSEA for replacement.
CRES, Martensitic, Magnetic Stud, Hex Head bolt and Capscrew	ASTM F 593 Group 5, 410, 416, and 416se See Table 075-3-3 and Table 075-3.3.2.2 for heat treat conditions and strength		H (R) 20C to 30C . HT (R) 34C to 45C . For MIL-S-1222 condition HT (R) 38C to 47C	None	400°F	 410, 416 or 416Se as applicable. . See Table 075-3-3 for additional markings	1. Not interchangeable with bolts or nuts from other groups. Use only ASTM F 594 group 5 nuts of the same condition. 2. Used where increased corrosion resistance is needed. 3. Do not use in weather, bilge or submerged locations. 4. Do not use with steel washers, pins, wires or other small carbon or alloy steel items. Steel can galvanically corrode when in contact with this material. 5. May not be stocked. Consult NAVSEA for replacement.




**Table 075-3-1. FASTENER MATERIAL CHARACTERISTICS (CHEMICAL AND PHYSICAL),**

**IDENTIFICATION MARKINGS AND SUGGESTED USE - Continued**

Fastener Material and Type	Material Specification, Grade, Type, Class or Alloy & Condition	Strength in KSI-Yield (Y) Tensile (T) Proof (P)	Hardness, Brinell (B) Or Rockwell (R)	Coating Type Permitted (NOTE: may limit useable temperature)	Temp. Limits for Fastener	Identification Marking	Suggested Usage for Threaded Fasteners
CRES, Martensitic, Magnetic Nut	ASTM F 593 Group 5, 410, 416, and 416se condition H or HT	H P = 110 min HT P = 160 min		None	600°F		<ol style="list-style-type: none"> <li>1. Nuts for use with ASTM F 593 group 5 bolts. Use only ASTM F 594 group 5 bolts of the same condition.</li> <li>2. Do not use with steel washers, pins, wires or other small carbon or alloy steel items. Steel can galvanically corrode when in contact with this material.</li> <li>3. May not be stocked. Consult NAVSEA for replacement.</li> </ol>
CRES, Martensitic, Magnetic Stud, Hex Head bolt and Capscrew	ASTM F 593 Group 6, 431 condition H or HT	H Y = 100 T = 125 to 150 HT Y = 140 T = 180 to 220	H (R) 25C to 32C HT (R) 40C to 48C	None	600°F		<ol style="list-style-type: none"> <li>1. Magnetic, hardened and tempered to two strength levels: H (equivalent to ASTM A 449 type 1); or HT (equivalent to ASTM A 354 Grade BD).</li> <li>2. Not interchangeable with bolts or nuts from other groups. Use only ASTM F 594 group 6 nuts of the same condition.</li> <li>3. Not recommended for high temperature use above 600°F.</li> <li>4. Use instead of Type 1 or Grade BD where increased corrosion resistance is needed.</li> <li>5. Do not use in weather, bilge or submerged locations.</li> <li>6. Do not use with steel washers, pins, wires or other small carbon or alloy steel items. Steel can galvanically corrode when in contact with this material.</li> </ol>


**Table 075-3-1.** FASTENER MATERIAL CHARACTERISTICS (CHEMICAL AND PHYSICAL),

## IDENTIFICATION MARKINGS AND SUGGESTED USE - Continued

Fastener Material and Type	Material Specification, Grade, Type, Class or Alloy & Condition	Strength in KSI-Yield (Y) Tensile (T) Proof (P)	Hardness, Brinell (B) Or Rockwell (R)	Coating Type Permitted (NOTE: may limit useable temperature)	Temp. Limits for Fastener	Identification Marking	Suggested Usage for Threaded Fasteners
CRES, Martensitic, Magnetic Nut	ASTM F 593 Group 6, 431 condition H or HT	H P = 125 min HT P = 180 min		None	600°F		<ol style="list-style-type: none"> <li>Nuts for use with ASTM F 593 group 6 bolts. Use only ASTM F 594 group 6 bolts of the same condition.</li> <li>Do not use with steel washers, pins, wires or other small carbon or alloy steel items. Steel can galvanically corrode when in contact with this material.</li> </ol>
CRES, Precipitation Hardening Alloy Magnetic Stud, Hex Head bolt and Capscrew	ASTM F 593 Group 7, 630 condition AH	Y = 105 T = 135 to 170	(R) 28C to 38C	None	800°F		<ol style="list-style-type: none"> <li>Solution annealed and age hardened after forming, magnetic.</li> <li>Not interchangeable with bolts or nuts from other groups.</li> <li>Do not use with steel washers, pins, wires or other small carbon or alloy steel items. Steel can galvanically corrode when in contact with this material.</li> </ol>
CRES, Precipitation Hardening Alloy Magnetic Nut	ASTM F 593 Group 7, 630 condition AH	P = 135 min	(R) 28C to 38C	None	800°F		<ol style="list-style-type: none"> <li>Nuts for use with ASTM F 593 group 7 bolts.</li> <li>Do not use with steel washers, pins, wires or other small carbon or alloy steel items. Steel can galvanically corrode when in contact with this material.</li> </ol>



**Table 075-3-1. FASTENER MATERIAL CHARACTERISTICS (CHEMICAL AND PHYSICAL),**

**IDENTIFICATION MARKINGS AND SUGGESTED USE - Continued**

Fastener Material and Type	Material Specification, Grade, Type, Class or Alloy & Condition	Strength in KSI-Yield (Y) Tensile (T) Proof (P)	Hardness, Brinell (B) Or Rockwell (R)	Coating Type Permitted (NOTE: may limit useable temperature)	Temp. Limits for Fastener	Identification Marking	Suggested Usage for Threaded Fasteners
CRES, Age Hardenable Austenitic Alloy, nonmagnetic  Stud, Hex Head bolt and Capscrew	ASTM A 453 Grade 660 Class A Condition AH	Y = 85 min T = 130 min	(R) 99B to 37C	None	1200°F		<ol style="list-style-type: none"> <li>1. Age hardenable bolts, non-magnetic.</li> <li>2. May not be replaced with lower strength CRES bolts or nuts. May replace lower strength CRES bolts or nuts.</li> <li>3. High strength, for high (1200°F) temperature applications such as pressure vessels and valve flanges.</li> <li>4. May be used to fasten steel or aluminum exposed to the weather.</li> <li>5. Require a stress rupture test when used in applications above 800°F. Fasteners stamped "NR" have not been subject to a stress rupture test and may not be used for applications above 800°F.</li> <li>6. Do not use with steel washers, pins, wires or other small carbon or alloy steel items. Steel can galvanically corrode when in contact with this material.</li> </ol>



**Table 075-3-1. FASTENER MATERIAL CHARACTERISTICS (CHEMICAL AND PHYSICAL),**

## IDENTIFICATION MARKINGS AND SUGGESTED USE - Continued

Fastener Material and Type	Material Specification, Grade, Type, Class or Alloy & Condition	Strength in KSI-Yield (Y) Tensile (T) Proof (P)	Hardness, Brinell (B) Or Rockwell (R)	Coating Type Permitted (NOTE: may limit useable temperature)	Temp. Limits for Fastener	Identification Marking	Suggested Usage for Threaded Fasteners
CRES, Age Hardenable Austenitic Alloy, nonmagnetic Nut	ASTM A 453 Grade 660 Class A Condition AH	Y = 55 min T = 130 min	(R) 99B to 37C	None	1200°F		<ol style="list-style-type: none"> <li>1. Nut for use with ASTM A 453 grade 660 bolts.</li> <li>2. Require a stress rupture test when used in applications above 800°F. Fasteners stamped "NR" have not been subject to a stress rupture test and may not be used for applications above 800°F.</li> <li>3. Do not use with steel washers, pins, wires or other small carbon or alloy steel items. Steel can galvanically corrode when in contact with this material.</li> </ol>
Ni-Cu Monel and R-Monel, may be weakly magnetic. Stud, Hex Head bolt and Capscrew	ASTM F 468 Alloy 400, Monel . Ni-Cu Class A Alloy 405 R-Monel . Ni-Cu Class B QQ-N-281	Alloy 400, 1/4 to 3/4 Y = 40 T = 80 to 130 7/8 to 1-1/2 Y = 30 T = 70 to 130 . Alloy 405, Y = 30 T = 70 to 125	Alloy 400, 1/4 to 3/4 (R) 75B to 25C 7/8 to 1-1/2 (R) 60B to 25C . Alloy 405, (R) 60B to 20C	None	600°F	 NC, Ni-Cu or NC-R as applicable. May have A or B for class.	<ol style="list-style-type: none"> <li>1. Piping systems as specified in drawings and Mil. Stds. 438 and 777.</li> <li>2. General purpose, moderate strength, good corrosion resistance.</li> <li>3. Use with most nonferrous and steel components in wet or submerged applications.</li> <li>4. Do not use in Hull Integrity applications.</li> </ol>



**Table 075-3-1. FASTENER MATERIAL CHARACTERISTICS (CHEMICAL AND PHYSICAL),**

**IDENTIFICATION MARKINGS AND SUGGESTED USE - Continued**

<b>Fastener Material and Type</b>	<b>Material Specification, Grade, Type, Class or Alloy &amp; Condition</b>	<b>Strength in KSI-Yield (Y) Tensile (T) Proof (P)</b>	<b>Hardness, Brinell (B) Or Rockwell (R)</b>	<b>Coating Type Permitted (NOTE: may limit useable temperature)</b>	<b>Temp. Limits for Fastener</b>	<b>Identification Marking</b>	<b>Suggested Usage for Threaded Fasteners</b>
Ni-Cu Monel and R-Monel, may be weakly magnetic. Nut	ASTM F 467 Alloy 400, Monel . Ni-Cu Class A Alloy 405 R-Monel Ni-Cu Class B QQ-N-281	Alloy 400, P = 80 min . Alloy 405, P = 70 min	Alloy 400, (R) 75B min. Alloy 405, (R) 60B min	None	600°F	 NC, Ni-Cu or NC-R as applicable	1. Nickel-Copper alloy 400 (Monel) and 405 (R-Monel) nuts for use with alloy 400 and 405 bolts. 2. Can also be used with Nickel-Copper alloy 500 (K-Monel) bolts and studs.
Ni-Cu -Al K Monel, non-magnetic . Stud, Hex Head bolt and Capscrew	ASTM F 468 Alloy 500, K-Monel . QQ-N-286	1/4 to 7/8 Y = 90 min T = 130 to 180 . 1 to 1-1/2 Y = 85 mm T = 130 to 180	(R) 24C to 37C	None	600°F	 May have •K•	1. Piping systems as specified in drawings and Mil. Stds. 438 and 777. 2. High strength, good corrosion resistance. 3. Use with most nonferrous and steel components in wet or submerged applications needing corrosion resistant high strength foundation or bedplate hold down fasteners for High Impact shock 4. Surface ship and submarine Hull Integrity application bolting.





**Table 075-3-1. FASTENER MATERIAL CHARACTERISTICS (CHEMICAL AND PHYSICAL),**

IDENTIFICATION MARKINGS AND SUGGESTED USE - Continued

Fastener Material and Type	Material Specification, Grade, Type, Class or Alloy & Condition	Strength in KSI-Yield (Y) Tensile (T) Proof (P)	Hardness, Brinell (B) Or Rockwell (R)	Coating Type Permitted (NOTE: may limit useable temperature)	Temp. Limits for Fastener	Identification Marking	Suggested Usage for Threaded Fasteners
Ni-Cu -Al K Monel, non-magnetic Nut	ASTM F 467 Alloy 500, K-Monel QQ-N-286	P = 130 min	(R) 24C min	None	600°F		<ol style="list-style-type: none"> <li>1. These nuts have potential galling problems when used with K-Monel male fasteners. Nuts of this material are not normally stocked or recommended for use.</li> <li>2. Nickel-Copper alloy 400 or 405 heavy hex nuts may usually be substituted for these nuts. In Level I, heavily loaded, or other critical applications, obtain engineering approval for the substitution.</li> </ol>
Naval Brass nonmagnetic Stud, Hex Head bolt and Capscrew	ASTM F 468 Alloy 462	Y = 25 min T = 50-80	(R) 65B-90B	None	250°F	 May have F468C	<ol style="list-style-type: none"> <li>1. Seawater applications 250 PSI and below.</li> <li>2. Piping systems as specified in drawings and Mil. Stds. 438 and 777.</li> <li>3. Limited low-temperature (250°F) and low stress use, such as valve stem packing gland and handwheel nuts.</li> </ol>






**Table 075-3-1. FASTENER MATERIAL CHARACTERISTICS (CHEMICAL AND PHYSICAL),**

**IDENTIFICATION MARKINGS AND SUGGESTED USE - Continued**

<b>Fastener Material and Type</b>	<b>Material Specification, Grade, Type, Class or Alloy &amp; Condition</b>	<b>Strength in KSI-Yield (Y) Tensile (T) Proof (P)</b>	<b>Hardness, Brinell (B) Or Rockwell (R)</b>	<b>Coating Type Permitted (NOTE: may limit useable temperature)</b>	<b>Temp. Limits for Fastener</b>	<b>Identification Marking</b>	<b>Suggested Usage for Threaded Fasteners</b>
Naval Brass nonmagnetic Stud, Hex Head bolt and Capscrew	ASTM F 468 Alloy 464	Y = 25 min T = 50-80	(R) 65B-90B	None	250°F	 May have F468D	1. Seawater applications 250 PSI and below. 2. Piping systems as specified in drawings and Mil. Stds. 438 and 777. 3. Limited low-temperature (250°F) and low stress use, such as valve stem packing gland and handwheel nuts. 4. WARNING. Most of the brass fasteners in the supply system are black oxide coated. See <a href="#">075-3.4.3.3.2</a> for instructions on replacing these fasteners.
	QQ-B-637 Alloy 482				250°F		
Naval Brass nonmagnetic Nut	ASTM F 467 Alloy 462	P = 50 min	(R) 65B min	None	250°F	 May have F467C	1. Naval brass nuts for use with brass alloys 462 and 464. 2. WARNING. Most of the brass fasteners in the supply system are black oxide coated. See <a href="#">075-3.4.3.3.2</a> for instructions on replacing these fasteners.
	ASTM F 467 Alloy 464	P = 50 min	(R) 55B min		250°F	 May have F467D	




**Table 075-3-1. FASTENER MATERIAL CHARACTERISTICS (CHEMICAL AND PHYSICAL),**

IDENTIFICATION MARKINGS AND SUGGESTED USE - Continued

Fastener Material and Type	Material Specification, Grade, Type, Class or Alloy & Condition	Strength in KSI-Yield (Y) Tensile (T) Proof (P)	Hardness, Brinell (B) Or Rockwell (R)	Coating Type Permitted (NOTE: may limit useable temperature)	Temp. Limits for Fastener	Identification Marking	Suggested Usage for Threaded Fasteners
Phosphor Bronzenonmag-netic · Stud, Hex Head bolt and Capscrew	ASTM F 468 Alloy 510	Y = 35 min T = 60-90	(R) 60B-95B	None	400°F		1. Moderate strength for general purpose use such as nonferrous flanged pipe joint bolting where pressures are below 250 psi and temperatures below 400°F.
	ASTM B 139 Alloy 544						
Phosphor Bronze nonmagnetic · Nut	ASTM F 468 Alloy 510	P = 60 min	(R) 60B min	None	400°F	 May have F467E	1. Phosphor bronze nuts for use with phosphor bronze alloy 510 and 544 bolts.
Nickel-Aluminum Bronzenonmag-netic · Stud, Hex Head bolt and Capscrew	QQ-C-465 Alloy 632	Y = 50 min T = 100-130	(R) 85B-100B	None	400°F		1. High strength for general purpose use such as nonferrous flanged pipe joint bolting for seawater, fire main, and low pressure steam up to 400°F.
	ASTM F 468 Alloy 630					May have F468H	
Nickel-Aluminum Bronzenonmag-netic · Nut	QQ-C-465 Alloy 632 · ASTM F 468 Alloy 630	P = 100 min	(R) 85B min	None	400°F	 May have F467H	1. Nickel-aluminum bronze nuts for use with Nickel-aluminum bronze alloy 630 and 632 bolts.





**Table 075-3-1. FASTENER MATERIAL CHARACTERISTICS (CHEMICAL AND PHYSICAL),**

**IDENTIFICATION MARKINGS AND SUGGESTED USE - Continued**

<b>Fastener Material and Type</b>	<b>Material Specification, Grade, Type, Class or Alloy &amp; Condition</b>	<b>Strength in KSI-Yield (Y) Tensile (T) Proof (P)</b>	<b>Hardness, Brinell (B) Or Rockwell (R)</b>	<b>Coating Type Permitted (NOTE: may limit useable temperature)</b>	<b>Temp. Limits for Fastener</b>	<b>Identification Marking</b>	<b>Suggested Usage for Threaded Fasteners</b>
Silicon Bronze nonmag -netic . Stud, Hex Head bolt and Capscrew	ASTM F 468 Alloy 651, 655, 661	Alloy 651 1/4 to 3/4 Y = 55, T = 70 7/8 to 1-1/2 Y = 40, T = 54. Alloy 655 Y = 20, T = 50. Alloy 661 Y = 35, T = 70	Alloy 651 (R) 75B-95B Alloy 655 (R) 60B-80B. Alloy 661 (R) 75B-95B	None	400°F	 651 or F468K 655 or F468L 661 or F468M	1. Moderate strength for general purpose use such as nonferrous flanged pipe joint bolting where pressures are below 250 psi and not in contact with sea water. 2. Use same alloy bolt and nut. 3. Use only when permitted by technical documentation.
Silicon Bronze nonmag -netic . Nut	ASTM F 467 Alloy 651, 655, 661	Alloy 651, 661 P =70 min Alloy 655 P = 50	Alloy 651 (R) 75B min Alloy 655 (R) 60B min Alloy 661 (R) 75B min	None	400°F	 651 or F467K 655 or F467L 661 or F467M	1. Silicon bronze nuts for use with alloy 651, 655 and 661 bolts. 2. Use same alloy bolt and nut. 3. Use only when permitted by technical documentation.
Manganese Bronze nonmag -netic . Stud, Hex Head bolt and Capscrew	ASTM F 468 (B 138) Alloy 651 (670)	Y = 25 min T = 55-85	(R) 60B-90B	None		 670 old designation May have F468N	1. Manganese bronze, low strength nonmagnetic copper alloy. 2. Limited low temperature, low stress general purpose use such as valve stem packing glands and handwheel nuts.





**Table 075-3-1. FASTENER MATERIAL CHARACTERISTICS (CHEMICAL AND PHYSICAL),**

IDENTIFICATION MARKINGS AND SUGGESTED USE - Continued


Fastener Material and Type	Material Specification, Grade, Type, Class or Alloy & Condition	Strength in KSI-Yield (Y) Tensile (T) Proof (P)	Hardness, Brinell (B) Or Rockwell (R)	Coating Type Permitted (NOTE: may limit useable temperature)	Temp. Limits for Fastener	Identification Marking	Suggested Usage for Threaded Fasteners
Manganese Bronze nonmagnetic Nut	ASTM F 467 (B 138) Alloy 651 (670)	P 55 min	(R) 60B min	None		 670 old designation May have F467N	1. Manganese bronze nut for use with alloy 675 bolts.
Aluminum alloy nonmagnetic Stud, Hex Head bolt and Capscrew	ASTM F 468 Alloy 2024 Temper T-4	Y = 36 min T = 55-70	(R) 70B-85B	Subject to severe corrosion when in contact with steel in wet or humid areas, see <a href="#">075-3.4.1</a>		 May have F468X	1. Limited shipboard application. Use only where specified. 2. Bolting for use with aluminum piping and structures in the superstructure, and interior bulkheads and joiner work.
	ASTM F 468 Alloy 6061 Temper T-6	Y = 31 min T = 37-52	(R) 70B-85B			 May have F468Y	
	ASTM F 468 Alloy 7075 Temper T-73	Y = 50 min T = 61-76	(R) 80B-90B			 May have F468Z	

**Table 075-3-1. FASTENER MATERIAL CHARACTERISTICS (CHEMICAL AND PHYSICAL),**

**IDENTIFICATION MARKINGS AND SUGGESTED USE - Continued**

<b>Fastener Material and Type</b>	<b>Material Specification, Grade, Type, Class or Alloy &amp; Condition</b>	<b>Strength in KSI-Yield (Y) Tensile (T) Proof (P)</b>	<b>Hardness, Brinell (B) Or Rockwell (R)</b>	<b>Coating Type Permitted (NOTE: may limit useable temperature)</b>	<b>Temp. Limits for Fastener</b>	<b>Identification Marking</b>	<b>Suggested Usage for Threaded Fasteners</b>
Aluminum alloy nonmagnetic Nut	ASTM F 467 Alloy 2024 Temper T-4	P = 55 min	(R) 70B min	Subject to severe corrosion when in contact with steel in wet or humid areas, see <a href="#">075-3.4.1</a>		 May have F467X	1. Aluminum nuts for use with aluminum alloy 2024-T4 bolts. 2. Not recommended for sizes above 1/4 inch.
	ASTM F 467 Alloy 6061 Temper T-6	P = 40 min	(R) 70B min			 May have F467Y	1. Aluminum nuts for use with aluminum alloy 6061-T6 bolts.
	ASTM F 467 Alloy 6262 Temper T-9	P = 52 min	(R) 80B min			 May have F467Z	1. Aluminum nuts for use with aluminum alloy 7075-73 bolts.
Titanium alloy nonmagnetic Stud, Hex Head bolt and Capscrew	MIL-T-9047 Composition 7	Y = 125 T = 135-165	(R) 30C-36C	None			1. Titanium, non-magnetic alloy. High strength bolting for use with titanium components such as titanium fire pumps and titanium piping. 2. The commercial equivalent is ASTM F 468 Alloy Ti 5 ELI, which is slightly lower strength. These are marked "F 468GT".

**Table 075-3-1. FASTENER MATERIAL CHARACTERISTICS (CHEMICAL AND PHYSICAL),  
IDENTIFICATION MARKINGS AND SUGGESTED USE - Continued**

Fastener Material and Type	Material Specification, Grade, Type, Class or Alloy & Condition	Strength in KSI-Yield (Y) Tensile (T) Proof (P)	Hardness, Brinell (B) Or Rockwell (R)	Coating Type Permitted (NOTE: may limit useable temperature)	Temp. Limits for Fastener	Identification Marking	Suggested Usage for Threaded Fasteners
Titanium alloy nonmagnetic Nut	MIL-T-9047 Composition 7	P = 135	(R) 30C min	None			1. Titanium nuts for use with titanium alloy T7 bolts 2. The commercial equivalent is ASTM F 467 Alloy Ti 5 ELI, which is slightly lower strength. These are marked "F 467GT".
<p><b>LEGEND:</b></p> <p>A – Machined from annealed or solution annealed stock.            CW – (Cold worked) Headed and rolled from annealed stock.            AF – Headed and rolled from annealed stock and then reannealed.            H – Hardened and tempered at 1050°F (565°C) minimum.            AH – Solution annealed and age hardened after forming.            HT – Hardened and tempered at 525°F (247°C) minimum.            * – All fastener sizes are the Nominal Diameter in inches.</p>							
<p><b>NOTES:</b></p> <ol style="list-style-type: none"> <li>Many existing fasteners on ships do not have grade markings. Fasteners are often marked only if it is a requirement of the specification or the purchase order. Fasteners not marked that have provided satisfactory service should not be arbitrarily replaced. When installing replacement fasteners, check drawings, allowance part lists, or other technical documents for material requirements. Do not rely solely on the markings of an existing fastener to select a replacement fastener since the existing fasteners may have been mixed up during previous maintenance activities.</li> <li>The presence of a self-locking element on a nut, bolt, or screw is usually obvious prior to installation. However, six raised or depressed dots on the head are used to identify a self-locking element on bolts and screws.</li> <li>Austenitic corrosion-resistant steels may be slightly magnetic and can become more magnetic if they are work-hardened.</li> <li>Ni-Cu Monel Alloy 400 may be slightly magnetic below 120 degrees F.</li> </ol>							

## 075-3.4 ISSUES AFFECTING MATERIAL SELECTION

075-3.4.1 CORROSION. Shipboard environments present two basic fastener corrosion problems: (1) oxidation of carbon steel and alloy steel fasteners which are located in humid atmospheres or periodically wetted, and (2) galvanic corrosion, which results when dissimilar metals are electrically coupled to each other in the presence of moisture.

075-3.4.1.1 Oxidation. The surfaces of most unprotected metals are subject to oxidation. When oxidation occurs on steel, it is called rusting. Although other metals such as aluminum or brass do not rust like steel, they do oxidize. The higher the humidity, the temperature, or both, the faster and more severe the oxidation. This is why oxidation is more likely to occur in machinery spaces and fan rooms than in living spaces. Carbon and alloy steel fasteners are more susceptible to oxidation (rusting) than other materials, although aluminum also presents a significant problem. Several coatings are available to improve the oxidation resistance of steel and aluminum fasteners. Some of these coatings are listed in Table 075-3-1.

075-3.4.1.2 Galvanic Corrosion. Any time two different metals are coupled together in a way that permits electric current to flow between them and both are submerged in a fluid that can also conduct electricity, a battery forms and electrons flow through the coupling and the fluid. This flow of electrons causes what is called galvanic corrosion, which attacks the less noble metal or anode (gold is one of the most noble metals with zinc being one of the least noble). How fast this corrosion proceeds depends in part on the voltage difference or "potential" between the two metals and the fluid they are in. The potential between the lead-oxide and lead-antimony plates in sulfuric acid in a car battery is about two volts per cell. For steel and copper plates in seawater, the potential is about 0.6 volts per cell.

075-3.4.1.2.1 In the case of zinc and steel in seawater, the zinc is the anode and will corrode, whereas the steel (the cathode, in this case) will not corrode. In many places aboard ship zinc is used as a sacrificial anode to protect steel from corrosion. In the case of steel and bronze in seawater, the steel is the anode and will corrode sacrificially to protect the cathodic bronze. A less commonly recognized example is carbon steel coupled to stainless steel. In this case, the carbon steel is also the anode and will corrode sacrificially to protect the stainless steel, but at a faster rate than with the bronze, because there is a higher potential between the carbon steel and the stainless steel than between the carbon steel and the bronze.

075-3.4.1.2.2 The extent and rate of corrosion are accelerated if the surface area of the anode is small relative to the area of the cathode, such as in the case of a steel fastener in a nonferrous flange or component. This applies to washers, too. Don't use a carbon steel washer with stainless or non-ferrous fasteners, especially if the fastener assembly is in a nonferrous component. The following paragraphs describe techniques for minimizing galvanic corrosion.

---

### WARNING

---

**Aluminum is highly reactive and may experience extensive galvanic corrosion when coupled with a fastener of relatively low reactivity. Aluminum structure shall be insulated from non-aluminum fasteners, as discussed in paragraph 075-3.4.1.3.3.**

075-3.4.1.3 Design Considerations to Reduce or Eliminate Corrosion.

075-3.4.1.3.1 Low Reactivity Fastener Materials. Using fastener materials that have lower reactivity than the structural materials is the primary approach taken for standard Navy designs. The materials recommended for use with the fasteners in the suggested usage column of Table 075-3-1 either have similar reactivity or are more reactive than the fastener materials. Using a less reactive material for the fastener will result in corrosion of the structure instead of the fastener. Because the surface area of the structure (anode) is usually much larger than the surface of the fastener (cathode), galvanic corrosion of the structure will be insignificant.

075-3.4.1.3.2 Materials for Corrosion Resistance. Table 075-3-1 lists the suggested fastener materials and coating requirements to ensure adequate corrosion resistance, including resistance to galvanic corrosion for various applications and combinations of materials to be joined.

**Table 075-3-2. ASTM F 593 STAINLESS STEEL BOLTS, SCREWS AND STUDS**

Alloy Group	Alloys *	Normal Condition	Marking	Optional Conditions and Marking	
				Weaker	Stronger
1	304, 305, 384, XM7	Cold Worked	F593C or F593D	(AF) F593A (A) F593B	(SH1) F593A (SH2) F593B (SH2) F593C (SH4) F593D
2	316	CW	F593G or F593H	(AF) F593E (A) F593F	(SH1) F593E (SH2) F593F (SH3) F593G (SH3) F593H
3	321, 347	CW	F593L or F593M	(AF) F593J (A) F593K	(SH1) F593J (SH2) F593K (SH3) F593L (SH4) F593M
4	430	Annealed	F593N	None	None
5	410, 416, 416SE	H	F593P		(HT) F593R
6	431	H	F593S		(HT) F593T
7	630	AH	F593U	None	None

LEGEND:  
A – Machined from annealed stock  
CW – (Cold worked) Headed and rolled from annealed stock  
AF – Headed and rolled from annealed stock and then reannealed  
H – Hardened and tempered at 1050°F minimum  
AH – Solution annealed and age hardened after forming.  
HT – Hardened and tempered at 525°F minimum  
SH – Machined from strain hardened stock  
\* – Within an alloy group, the alloys listed are considered interchangeable

075-3.4.1.3.3 Use of Sealants or Insulators. Insulating material can prevent current from passing between the fastener and the structure in which it is used. Metallic-ceramic coatings on steel fasteners tend to act as an insulator where stainless steel structures are attached with steel fasteners; any break in the coating, however, exposes the steel to accelerated attack that in time will overcome the protective capabilities of the coating. The best approach is never to use a carbon steel fastener in nonferrous structures or components, especially stainless steel. This is one of the worst galvanic combinations and the worst size mix (a large stainless steel mass with a small carbon steel mass). Aluminum structures must be insulated from non-aluminum fasteners. Sleeves, washers, and thread sealant compounds are required to prevent the galvanic corrosion of the aluminum.

075-3.4.2 HYDROGEN EMBRITTLEMENT AND STRESS CORROSION CRACKING. Hydrogen embrittlement and stress corrosion cracking can cause fasteners to fail, first by cracking, then by complete breakage. Both problems attack the fastener at the grain boundaries of the metal and either initiate a crack or expand an existing one. Some metals are more susceptible to these problems than others. The best way to prevent this kind of failure is to avoid doing anything to the fastener that is known to cause the problem. Be especially alert to the precautions given in paragraph 075-3.4.2.1.

075-3.4.2.1 High-Strength Steel Fasteners. Sacrificial metal coating (cadmium, zinc, metallic-ceramic that contains aluminum, and inorganic zinc silicate paints) of high-strength steel fasteners (over 150 ksi tensile strength) for corrosion protection increases their susceptibility to hydrogen embrittlement and the potential for failure. The reaction of these coatings to corrosive environments releases atomic hydrogen which diffuses into the fastener causing the embrittlement. Therefore, zinc or aluminum coated fasteners of a tensile strength greater than 150,000 psi shall not be used in applications in the weather,

or where subject to periodic wetting or heavy condensation. Cadmium plated fasteners of this strength shall not be used in the weather or subject to periodic wetting. If corrosion resistant fasteners of sufficient strength cannot be used, uncoated (after preservative removal) or black oxide coated steel fasteners may be installed when protected in the following manner.

- a. Dip fastener in polysulfide sealant (MIL-S-81733 or MIL-S-8802, Class I and II) or paint with polysulfide sealant. Be sure area under head is coated. Install fastener and make sure entire head is coated with sealant.
- b. After sealant dries, paint with a coat of epoxy primer (MIL-P-24441/1 or equivalent).
- c. After epoxy primer dries it is permissible to coat with the same paint as used on adjacent equipment.

**WARNING**

**Do not use ASTM A 354 grade BD or SAE grade 8 high-strength fasteners that have been treated with zinc or metallic-ceramic coatings for any shipboard applications where they would be subjected to submergence, wet spaces, or the weather: these coatings increase the susceptibility of the fasteners to embrittlement. Zinc- or cadmium-coated steel fasteners shall not be used for applications above 400°F: these coatings may cause hydrogen embrittlement. Especially avoid mixing zinc- and cadmium-coated nuts, bolts, or washers at temperatures above 300°F: the zinc and cadmium will melt and mix. The resulting mixture is known to cause intergranular cracking, with subsequent failure of the fasteners in a short time. Failure of fasteners as described above can result in serious injury to personnel and damage to equipment. Cadmium or zinc is not permitted where it would be in contact with fuel oil, lubricating oil, grease, or petroleum-based hydraulic fluid. This restriction does not prohibit the use of cadmium or zinc plated fasteners in locations that are external to these systems if there is no danger of contaminating the working fluid. For example, cadmium or zinc plated fasteners could be safely used as hold down or mounting bolts for a hydraulic control valve since there is no danger of contact between the external fasteners and the fluid inside the valve. Personnel should wash their hands after handling cadmium plated fasteners to avoid ingesting cadmium.**

**Table 075-3-3. STRENGTH AND IDENTIFICATION MARKINGS FOR 400 SERIES STAINLESS STEEL FASTENERS**

Alloy and Condition	Strength		Marking
	Yield	Tensile	
<b>ASTM F 593</b> 410H, 416H 416Se H 410HT, 416HT 416Se HT	90 ksi 120 ksi	110-140 ksi 160-190 ksi	F593P, F594P * F593R, F594R *
<b>MIL-S-1222 Rev G</b> 410 T 416 T 410 H 416 H	95 ksi 135 ksi	125-150 ksi 180-220 ksi	410, B6, 6 * 416, B6F, 6F * 410 , B6 , 6 * <u>416</u> , <u>B6F</u> , <u>6F</u> *
<b>MIL-S-1222 Rev H</b> 410 H 416 H 416Se H 410 HT 416 HT	95 ksi 135 ksi	125-150 ksi 180-220 ksi	410, 410H 416, 416H 416Se, 416SeH 410 HT, 410 416 HT, <u>416</u>

**Table 075-3-3. STRENGTH AND IDENTIFICATION MARKINGS FOR 400  
SERIES STAINLESS STEEL FASTENERS - Continued**

Alloy and Condition	Strength		Marking
	Yield	Tensile	
416Se HT			416Se HT, 416Se
* Marking is for nuts.			

**Table 075-3-4. SOURCES FOR MIL-S-1222 FASTENER PART NUMBERS**

Document Number	Fastener Type	Material ASTM Guide	Coating
MS16206	Bolt, hex-head regular, semi-finished, UNC-2A	Aluminum 6061	Anodized
MS16208	Bolt, hex-head regular, semi-finished, UNC-2A	300 Series CRES	None
MS16285	Nut, hex-head regular, semi-finished, UNC-2A	Carbon-moly steel	None

075-3.4.3 COATINGS. Coatings are used for several purposes, primarily for corrosion protection, but also for appearance. In addition, there are antiseize coatings to prevent threads from seizing together either from galling or from harsh environments, and lubricants to assist in reaching the proper preload when tightening the fasteners.

**WARNING**

**The color of a fastener or its coating must never be relied on for selection or identification. Many low strength fasteners of brass, CRES, copper-nickel and silicon bronze are coated with black oxide, nickel, silver, tin, zinc, or cadmium and have a visual appearance similar to higher strength steel fasteners. Use a magnet and other procedures as discussed in paragraph 075-3.4.3.3 to ensure that a low strength fastener is not used in applications requiring carbon or alloy steel fasteners.**

075-3.4.3.1 Corrosion Protection. Carbon steel and alloy steel fasteners require protective coatings where they are directly exposed to seawater spray, such as on the weather deck or in areas subject to occasional wetting such as passageways or some compartments just off the weather deck. Other areas requiring protective coatings include air intakes, machinery spaces, and bilges. Coated fasteners must not be used in immersion applications. Approved coatings are given in Table 075-3-1.

075-3.4.3.2 Zinc and Cadmium Coatings. Stocked fasteners may or may not be coated. The most common coatings are zinc or cadmium. Cadmium plating emits toxic fumes when exposed to temperatures above 400°F and is not permitted in applications operating at or above 400°F. Because of environmental concerns, particularly in manufacturing, the use of cadmium plated fasteners is being phased out. Substitution of zinc coating for cadmium coating is not permitted for any fastener whose required tensile strength is greater than 150,000 psi. This prohibits substitution of zinc plated socket head cap-screws for cadmium plated socket head capscrews. High strength steel zinc plated fasteners are subject to stress corrosion cracking at less than half the stress of similar cadmium coated fasteners. Zinc coated steel fasteners with a tensile strength of 150,000 psi shall be subject to the use limitations identified in paragraph 075-2.5.3.3

---

**WARNING**

---

075-3.4.3.3 Black Oxide Coated Fasteners. There are two (2) types of black oxide coatings, thermal and chemical. A thermal oxide coating forms as a result of the heat treatment operation, which for high strength steel parts entails an austenitize, quench and temper cycle. Here, a tightly adherent thermal oxide is produced which generally has a dull black finish. The thermal oxide forms during the temper cycle because this specific operation is conducted in an air furnace. A light, rust preventative oil is typically applied following the temper cycle to eliminate surface oxidation of carbon and alloy steel fasteners. Another option, available on some part drawings or specifications, such as MIL-DTL-13924, is to apply a chemical black oxide finish. While carbon and alloy steel fasteners may be black oxide coated, many lower strength materials such as brass, corrosion resistant steel (CRES), nickel-copper (Monel) and silicon bronze may also be black oxide coated.

---

**CAUTION**

---

**The appearance of a fastener is not a satisfactory indicator of fastener material, since black oxide coated fasteners made from different materials look very similar. When installing fasteners, use a magnet as a verification tool to confirm that the correct fasteners are being installed. In most cases, a strongly magnetic fastener will be carbon or alloy steel with a higher strength than many feebly magnetic or non-magnetic materials. On the other hand, most corrosion resistant materials are non-magnetic and have lower strengths. When fastener identification marks and fastener package identifications are available, a magnet may be used as a verification tool to supplement the available information.**

075-3.4.3.3.1 Black Oxide Coated Brass Threaded Fasteners. Most of the brass fasteners in the supply system are black oxide coated. This presents a potential for improper installation, particularly in place of steel fasteners which may also be black oxide coated. Not only are the brass fasteners of significantly lower strength, but they decrease rapidly in strength at temperatures over 250°F. In 1990, black oxide coated brass nuts were incorrectly used to repair a steam valve, resulting in a casualty which killed several sailors. As a preventive measure, NSN's have been established for shiny brass nuts of the sizes of black oxide coated nuts most likely to pose a hazard due to incorrect substitution aboard ships. See Table [075-3-5](#) for drawing part numbers and NSN's for replacement shiny brass or nickel-copper (Monel) nuts.

075-3.4.3.3.2 Requirements For Use Of Black Oxide Coated Brass Fasteners. To minimize the improper use of black oxide coated brass fasteners the following requirements apply to their use:

- a. Black oxide coated brass fasteners that are currently installed correctly (that is installed in applications that require brass fasteners) do not need to be replaced or have the coating remove.
- b. When black oxide coated brass fasteners are removed for maintenance or new fasteners installed, fasteners 1/4 inch diameter and larger shall either be replaced with shiny brass or have the black oxide removed by mechanical means from one surface. (Black oxide coated brass fasteners being removed and not reinstalled should be properly disposed of or have the coating similarly removed to prevent inappropriate installation at a later time.)
- c. Nickel-copper fasteners may be substituted for black oxide coated brass fasteners.
- d. The number of black oxide coated brass screws, bolts, and studs is too extensive to provide replacements in shiny brass. Therefore, when replacing any fastener, a magnet shall be used to check the material of the fastener. Steel is magnetic, brass is not. Some other materials such as CRES are coated with black oxide and are non-magnetic or only weakly magnetic.

- e. When replacing incorrectly installed black oxide coated brass fasteners, refer to paragraph [075-2.4.3](#) for assistance in determining the proper replacement fasteners.

---

**WARNING**

---

**Brass fasteners shall not under any conditions be installed in Level I applications or systems operating at temperatures above 250°F. Because of their lower strength, brass fasteners shall not be substituted for fasteners of another material. Many brass fasteners are black oxide coated and can be mistaken for steel fasteners. A few small diameter brass nuts may also have nickel, tin or silver coatings which can also be mistaken for steel nuts. Always use a magnet for verification when steel fasteners are required.**

075-3.4.3.3.3 Black Oxide Coated Alloy Steel Socket Head Capscrews. Alloy steel socket head capscrews are used in many systems and equipments, especially hydraulic and air systems. Alloy steel socket head capscrews bought to FF-S-86, NAS 1351 or NAS 1352 can have either a cadmium coating or a black oxide coating. Black oxide coated alloy steel socket head capscrews are as acceptable for Navy use as cadmium coated alloy steel socket head capscrews. However, when replacing any black oxide coated alloy steel socket head capscrews, ensure that incorrect black oxide coated socket head capscrews are not installed by using a magnet to check the fastener material. Steel is magnetic, brass and other materials such as CRES are not.

---

**CAUTION**

---

**The appearance of a fastener is not a satisfactory indicator of fastener material, since black oxide coated fasteners made from different materials look very similar. When installing fasteners, use a magnet as a verification tool to confirm that the correct fasteners are being installed. In most cases, a strongly magnetic fastener will be carbon or alloy steel with a higher strength than many feebly magnetic or non-magnetic materials. On the other hand, most corrosion resistant materials are non-magnetic and have lower strengths. When fastener identification marks and fastener package identifications are available, a magnet may be used as a verification tool to supplement the available information.**

075-3.4.3.4 Zinc Primer Coating in Accordance with DOD-P-24648. A coating that provides excellent corrosion resistance and at a lower cost than metallic ceramic coatings is inorganic zinc primer in accordance with DOD-P-24648 Type I, Class I, Composition B. Because it does not require a high temperature bake it has been used to coat self-locking nuts with elastomeric inserts. This coating may be substituted for metallic zinc coating in accordance with Table [075-3-6](#). Note: Neither this coating or metallic-ceramic coating should be applied to high strength steel bolts or screws with a specified minimum tensile strength greater than 150,000 psi.

**Table 075-3-5. REPLACEMENTS FOR BLACK OXIDE COATED BRASS  
THREADED FASTENERS (BRASS HEXAGON NUTS)**

Nominal Size	Black Oxide Coated Brass Threaded Fasteners		Replacement Shiny Brass Fasteners	
	NSN	Part Number	New NSN	Cage-14153 Dwg. Part No.
.250-UNC-2B	5310-00-855-1102 * 5310-00-939-2653	MS35649 * MS51969-1	5310-01-349-4084	02363-1
.312-UNC-2B	5310-00-786-4599 5310-00-903-3996	MS35649-2315 * MS51969-2	5310-01-349-4085	02363-2
.375-UNC-2B	5310-00-056-3394 5310-00-903-3994	MS35649-2385 * MS51969-3	5310-01-349-4086	02363-3
.500-UNC-2B	5310-00-913-5474	MS51969-5	5310-01-350-2904	02363-4
.625-UNC-2B	5310-00-913-5475	MS51969-7	5310-01-350-2905	02363-5
.750-UNC-2B	5310-00-913-5476	MS51969-8	5310-01-349-4087	02363-6
.875-UNC-2B	5310-00-913-5473	MS51969-9	5310-01-349-4088	02363-7
1.00-UNC-2B	5310-00-905-2669	MS51969-10	5310-01-349-4089	02363-8
.312-UNF-2B	5310-00-903-3991	MS51970-1	5310-01-349-4090	02362-1
Replacement Ni-Cu Fastener				
Nominal Size	NSN	Part Number	New NSN	Specification
1.125-UNC-2B	5310-00-436-7218	MS51969-11	5310-00-272-5705	MIL-S-1222, Type I, Style A or B
<p>“B” = Black oxide  “N” = Nickel plated  “S” = Silver plated  “T” = Tin plated  * Part numbers with “B”, “N”, “S”, and “T” suffixes should also not be used  ** Also stocked under NSN’s 5310-00-167-1371 and 5310-00-141-3034.</p>				

075-3.4.3.4.1 Self-locking Nuts with DOD-P-24648 Coating. These nuts have been installed on a number of ships. The nuts are a MS17829 configuration with the inorganic zinc coating rather than cadmium or zinc electro-plating. NAVSEA Drawing 53711-180-6931697 covers these nuts. Part numbers are 6931697 plus the dash number with the dash number being the same as for the equivalent size MS17829 nut. See use restrictions in Table 075-3-6.

075-3.4.3.5 Metallic-Ceramic Coated Fasteners. Metallic-ceramic coated bolts (screws) and nuts have been used in a number of shipboard applications. The metallic-ceramic coating is usually in accordance with MIL-C-81751, Type I, Class 4. While the metallic ceramic coated fasteners have superior corrosion resistance, these fasteners do have a high cost and some associated problems as identified below:

- The required coating thickness cannot be applied within the conventional coating thickness allowance and therefore fastener threads have to be manufactured undersize. The Navy does not procure these fasteners in large enough quantities to make this economical so producers charge high prices and wait months before interrupting their standard production. This places the cost above and availability below other fastener material and coating combinations.
- Metallic-ceramic coating fasteners are subject to chipping due to rough handling. If the coating is chipped, the location chipped is subject to accelerated corrosion.
- Reports have been received that it is often impossible to disassemble the metallic-ceramic coated fasteners.
- Metallic-ceramic coating should not be used on steel screws or bolts with a tensile strength of 150,000 psi or greater due to concerns for hydrogen embrittlement and stress corrosion cracking.

Because of the problems identified above, the supply system was advised in the mid-1990's to not procure metallic-ceramic coated fasteners. NAVSEA continues to monitor developments in this technology in order to determine if the problems noted above have been solved so that metallic-ceramic coatings can again be used for shipboard fasteners.

075-3.4.3.5.1 Approved Substitutes for Metallic-Ceramic Coated Fasteners. There is no single substitute that can be used as a substitute for metallic-ceramic coatings in all applications. For some applications, corrosion resistant fastener materials can be used more economically and provide better corrosion resistance. Using sealants and painting uncoated fasteners can provide even lower cost alternatives where corrosion is not severe. Table 075-3-6 lists acceptable replacements using non-corrosion resistant materials. For corrosion resistant substitutes or when additional guidance is needed, contact NAVSEA or the Life Cycle Manager for the equipment (see paragraph 075-3.9). For any metallic-ceramic coated fasteners for nuclear application or with a HX stock designation, identify the fasteners and contact SEA 08 for guidance.

### 075-3.5 HIGH-TEMPERATURE FASTENERS

075-3.5.1 As discussed in the paragraph on relaxation at high temperatures (see Paragraph 4.4.4.1), fasteners tend to stretch with time in the direction of the applied load. This causes them to lose their preload. Most steel fasteners must not be used where they will be subjected to temperatures above 650°F. Oxidation also will occur on the surface of unprotected metals at elevated temperatures, even though no moisture is present. Never use zinc-, cadmium-, or aluminum-coated high-strength fasteners in high-temperature applications. The fastener may crack due to hydrogen embrittlement as discussed in paragraph 075-3.4.2. Use specially alloyed steels designed to resist high-temperature oxidation and high-temperature relaxation in these applications. Use ASTM A 193 grade B16 alloy steel externally threaded fasteners and ASTM A 194 grade 7 nuts at temperatures up to 1,000°F. If corrosion is a problem, ASTM A 453 grade 660 stainless steel fasteners provide corrosion resistance up to 1,200°F. If coated fasteners are unavoidable in high temperatures, take into account the temperature resistance of the coating. See Table 075-3-1 for temperature limitations on specific fasteners.

#### CAUTION

**When selecting replacement fasteners, do not rely on markings of the existing fastener. The wrong fastener may have been installed in the past. Review technical documentation, including the APL since in some cases the APL's have been updated while other technical documentation has not been updated. The absence of identification markings on a threaded fastener does not necessarily preclude its use as some fastener specifications do not require identification marking.**

**However, the absence of a marking is a "red flag" that additional verification, such as proper identification on the package or box, is needed before installation.**

### 075-3.6 SUITABLE USES FOR THREADED FASTENERS

075-3.6.1 Suitable uses and restrictions for threaded fasteners are listed in Table 075-3-1. These suitable uses are for guidance only when the type of fastener is not specified. When drawings, technical manuals, APL's, etc. specify a fastener for an application, the specified fastener shall be installed and Table 075-3-1 shall not be used. When technical documentation identifies a fastener in conflict with the guidance in Table 075-3-1 the form in Table 075-3-7 may be used as identified in paragraph 075-3.9 to advise the Life Cycle Manager of a potential problem.

### 075-3.7 METRIC FASTENERS

075-3.7.1 While metric fasteners are not used in MIC Level I, SUBSAFE or nuclear applications, there are other applications, such as commercial-off-the-shelf (COTS) electronics hardware, that frequently use metric fasteners. There are also ship classes, such as the MHC51, that make extensive use of metric fasteners because much of their equipment is of foreign design and make.

075-3.7.2 Table 075-3-8 provides metric-based fastener material and marking information similar to the information in table 075-3-1 for inch-based fasteners. It covers only the most common metric fastener materials, and does not cover as wide a variety of materials as table 075-3-1 covers.

### 075-3.8 PARTS NUMBERING SYSTEMS

075-3.8.1 Background. Fasteners use nearly as many different parts numbering systems as there are fastener specifications. Some numbering systems come from the specification's structure (such as MS drawings and their NAS/NASM replacements). Others are described by or referred to by the fastener specification. However, many fastener specifications have no parts numbering system, or inadequate ones (such as MIL-S-1222). This lack of a definitive part number can result in serious procurement problems if the information available to purchase a fastener is not complete or precise. Therefore, NAVSEA recommends using SAE fastener parts numbering standards to identify fasteners, when the fastener does not otherwise have a definitive part number.

075-3.8.2 SAE Fastener Part Numbering System Specifications. SAE (the Society of Automotive Engineers) has developed several specifications that provide fastener numbering systems to supplement fastener material or configuration specification numbering systems. Other specifications are being developed, but the currently available specifications are:

- a. SAE J2271 - **Part Standard For Studs - Continuous And Double End (Inch Series)**
- b. SAE J2295 - **Part Standard-Capscrews, Hex Bolts, and Hex Nuts**

075-3.8.3 Using SAE Fastener Part Numbering Systems. Table 075-3-9, Table 075-3-10 and Table 075-3-11 respectively provide guidance on interpreting SAE fastener part numbers for bolts and capscrews, nuts and studs.

**Table 075-3-6. ALTERNATIVES TO METALLIC CERAMIC COATED FASTENERS**

Current Fastener Materials	Service Condition			Acceptable Alternatives
	Strength (ksi)	Temperature	Location	
Bolts-ASTM A 193 GR B16	Tensile-125 Yield-105	1000°F Max	High Temperature Piping Systems (Steam, steam drains, etc.)	ASTM A 193 GR B16 - Uncoated
Bolts-ASTM A 193 GR B7		775°F Max		ASTM A 193 GR B16 or B7 - Uncoated
Nuts-ASTM A 194 GR 7	Proof Hex-150	1000°F Max		ASTM A 194 GR 7 - Uncoated
Nuts-ASTM A 194 GR 4	Heavy Hex - 175	875°F Max		ASTM A 194 GR 7 or GR 4 - Uncoated
Bolts-SAE J429 GR 8 or ASTM A 354 GR BD	Tensile-150 Yield-130	650°F Max	Foundations and Equipment Located in the weather For Bilges, and Wet Spaces as approved by NAVSEA	SAE J429 GR 8 or ASTM A 354 GR BD-Uncoated-Install wet with Polysulfide Sealant, MIL-S-8802, Type II, Class A. (See Notes 1 & 2 )
Nuts-SAE J995 GR 8	Proof-150			SAE J995 or ASTM A 563 GR DH-Uncoated (Install using same procedure as above)
Self-Locking Nuts - MS17829 ( Note 3)	Proof-150	120°F max		Coat with Zinc primer IAW DOD-P-24648 (see 075-3.4.3.4.1 and Note 4)
SAE J429 GR 5 and J995 GR 5, ASTM A 449, A 354 GR BC and A 563 GR C	Less than 150 Tensile or proof	120°F max		Coat with Zinc primer IAW DOD-P-24648, Type I, Class 1, Composition B (see Note 4)
<p>NOTES:</p> <ol style="list-style-type: none"> <li>1. Polysulfide sealants contain solvents and must be applied in well ventilated areas. Avoid prolonged contact with the skin, contact with open breaks in the skin and ingestion. Follow manufacturer's restrictions and Material Safety Data Sheet. Polysulfide sealants are suitable for use inside submarines.</li> <li>2. Immediately prior to installation, dip fastener in or apply polysulfide sealant with a brush. Install fastener before sealant hardens. After installation, make sure that all exposed surfaces are coated with sealant. After sealant has dried, apply a coat of epoxy polyamide primer, MIL-P-24441/29. Subsequently, coating with same paint as on adjacent surfaces is permissible.</li> <li>3. Previous use of zinc primer may be shown incorrectly on drawings as metallic ceramic coating.</li> <li>4. Proper adhesion of the zinc primer requires that the fastener surface be sandblasted to a near white surface. Because the primer may outgas hazardous fumes, using zinc primer on fasteners requires NAVSEA approval for many applications.</li> </ol>				

Table 075-3-7. INQUIRY AND TECHNICAL RESPONSE RECORD

<b>Inquiry &amp; Technical Response Record</b>	
<b>To:</b>	NSWCCD Code 615, Fastener Fax: (215) 897-8450 Phone: (215) 897-7484 DSN: 443-7484 Attn:
<b>From:</b>	Activity: _____ Contact: _____ Date: _____ Phone: _____ Ext. _____ DSN: _____ Fax: _____

Ship: \_\_\_\_\_ System: \_\_\_\_\_

Applicable Drawings / Technical Manual \_\_\_\_\_

Describe Question or Problem \_\_\_\_\_

\_\_\_\_\_  
\_\_\_\_\_  
\_\_\_\_\_

(attach additional pages if necessary)

-----  
NSWCCD reply: Cognizant Technical Code \_\_\_\_\_ Phone: \_\_\_\_\_

Engineer: \_\_\_\_\_ Technical Code comments: \_\_\_\_\_

\_\_\_\_\_  
\_\_\_\_\_




Response from NSWCCD Code 622: \_\_\_\_\_

\_\_\_\_\_  
\_\_\_\_\_

Response provided by : Phone \_\_\_\_\_ Fax \_\_\_\_\_ E-mail \_\_\_\_\_ Other \_\_\_\_\_





**Table 075-3-8. METRIC FASTENER MATERIAL CHARACTERISTICS (CHEMICAL AND PHYSICAL), IDENTIFICATION MARKINGS AND SUGGESTED USE**

Fastener Material and Type	Material Specification, Grade, Type, Class or Alloy & Condition	Strength in KSI- Yield (Y) Tensile (T) Proof (P)	Hardness, Brinell (B) Or Rockwell (R)	Coating Type Permitted (Note: may limit useable temperature)	Temp. Limits for Fastener	Identification Marking	Suggested Usage for Threaded Fasteners
Carbon Steel Stud, Hex Head Bolt, Nut & Capscrew	ISO 898 Class 4.6	P = 33 Y = 36 T = 60	(R) 67B to 99.5B		Up to 650°F	None	1. Similar to Grade 1.
Carbon Steel Stud, Hex Head Bolt, Nut & Capscrew	ISO 898 Class 5.8	P = 55 Y = 57 T = 74	(R) 82B to 99.5B		Up to 650°F	None	1. Similar to Grade 2.
Alloy Steel Stud, Hex Head Bolt, Nut & Capscrew	ISO 898 Class 8.8	P = 85 Y = 92 T = 120	16mm and less (R) 22C to 32C more than 16mm (R) 23C to 34C	Zinc, for mild service up to 300°F	Up to 650°F	 8.8	1. Similar to Grade 5. 2. May be used as replacement for lower grade steel fasteners.
Alloy Steel Stud, Hex Head Bolt, Nut & Capscrew	ISO 898 Class 10.9	P = 120 Y = 130 T = 150	(R) 32C to 39C	None	Up to 650°F	 10.9	1. Similar to Grade 8. 2. May be used as replacement for lower grade steel fasteners.
Alloy Steel Socket Head Capscrew	ISO 898 Class 12.9	Y = 160 T = 177	(R) 39C to 44C	None	Up to 650°F	 12.9	1. Similar to FF-S-86 and ASTM A 574.




**Table 075-3-8.** METRIC FASTENER MATERIAL CHARACTERISTICS (CHEMICAL AND PHYSICAL),

## IDENTIFICATION MARKINGS AND SUGGESTED USE - Continued



Fastener Material and Type	Material Specification, Grade, Type, Class or Alloy & Condition	Strength in KSI- Yield (Y) Tensile (T) Proof (P)	Hardness, Brinell (B) Or Rockwell (R)	Coating Type Permitted (Note: may limit useable temperature)	Temp. Limits for Fastener	Identification Marking	Suggested Usage for Threaded Fasteners
CRES, Austenitic Stud, Hex Head Bolt, Nut & Capscrew	ISO 3506 Grade A1 Property Classes -50, -70, -80	A1-50 P = 72.5 Y = 30.5 T = 72..5 A1-70 P = 101.5 Y = 61 T = 101.5 A1-80 P = 116 Y = 87 T = 116		None		 A1-50 A1-70 A1-80	1. Similar to 303 stainless steel. 2. Property class -50 is standard strength, class -70 is cold worked, and class -80 is high strength.
CRES, Austenitic Stud, Hex Head Bolt, Nut & Capscrew	ISO 3506 Grade A2 Property Classes -50, -70, -80	A2-50 P = 72.5 Y = 30.5 T = 72..5 A2-70 P = 101.5 Y = 61 T = 101.5 A2-80 P = 116 Y = 87 T = 116		None	Up to 600°F	 A2-50 A2-70 A2-80	1. Similar to 302, 304 and 321 stainless steels. 2. Property class -50 is standard strength, class -70 is cold worked, and class -80 is high strength.

**Table 075-3-8. METRIC FASTENER MATERIAL CHARACTERISTICS (CHEMICAL AND PHYSICAL),**

**IDENTIFICATION MARKINGS AND SUGGESTED USE - Continued**

<b>Fastener Material and Type</b>	<b>Material Specification, Grade, Type, Class or Alloy &amp; Condition</b>	<b>Strength in KSI- Yield (Y) Tensile (T) Proof (P)</b>	<b>Hardness, Brinell (B) Or Rockwell (R)</b>	<b>Coating Type Permitted (Note: may limit useable temperature)</b>	<b>Temp. Limits for Fastener</b>	<b>Identification Marking</b>	<b>Suggested Usage for Threaded Fasteners</b>
CRES, Austenitic Stud, Hex Head Bolt, Nut & Capscrew	ISO 3506 Grade A4 Property Classes -50, -70, -80	A4-50 P = 72.5 Y = 30.5 T = 72..5 A4-70 P = 101.5 Y = 61 T = 101.5 A4-80 P = 116 Y = 87 T = 116		None	Up to 600°F	 A4-50 A4-70 A4-80	1. Similar to 316 stainless steel. 2. Property class -50 is standard strength, class -70 is cold worked, and class-80 is high strength.
CRES, Martensitic Stud, Hex Head Bolt, Nut & Capscrew	ISO 3506 Grade C1 Property Classes -50, -70	C1-50 P = 72.5 Y = 30.5 T = 72..5 C1-70 P = 101.5 Y = 59.5 T = 101.5		None	Up to 600°F	 C1-50 C1-70	1. Similar to 410 and 420 stainless steel. 2. Property class -50 is standard strength, class -70 is hardened and tempered.
CRES, Martensitic Stud, Hex Head Bolt, Nut & Capscrew	ISO 3506 Grade C3 Property Class -80	C3-80 P = 116 Y = 87 T = 116		None	Up to 600°F	 C3-80	1. Similar to 431 stainless steel. 2. Property class -80 is hardened and tempered.

**Table 075-3-8. METRIC FASTENER MATERIAL CHARACTERISTICS (CHEMICAL AND PHYSICAL),  
IDENTIFICATION MARKINGS AND SUGGESTED USE - Continued**

Fastener Material and Type	Material Specification, Grade, Type, Class or Alloy & Condition	Strength in KSI- Yield (Y) Tensile (T) Proof (P)	Hardness, Brinell (B) Or Rockwell (R)	Coating Type Permitted (Note: may limit useable temperature)	Temp. Limits for Fastener	Identification Marking	Suggested Usage for Threaded Fasteners
CRES, Martensitic . Stud, Hex Head Bolt, Nut & Capscrew	ISO 3506 . Grade C4 . Property Classes -50, -70	C4-50 P = 72.5 Y = 30.5 T = 72..5 . C4-70 P = 101.5 Y = 59.5 T = 101.5		None	Up to 600°F	 C4-50 C4-70	1. Similar to 416 and 416sec stainless steel. 2. Property class -50 is standard strength, class -70 is hardened and tempered.
CRES, Ferritic . Stud, Hex Head Bolt, Nut & Capscrew	ISO 3506 . Grade F1 . Property Classes -45, -60	F1-45 P = 65 Y = 36 T = 65 . F1-60 P = 87 Y = 59.5 T = 87		None	Up to 600°F	 F1-45 F1-60	1. Similar to 430 stainless steel. 2. Property class -45 is standard strength, class -60 is cold worked

**Table 075-3-9. SAE J2295 PART NUMBERING SYSTEM FOR BOLTS AND CAPSCREWS**

	A449	C	2	H	8	LZ	20	T1
<p>Product standard number This is the ASTM product standard used for the fastener. See SAE J2295 for specification list. ASTM A449 is for grade 5 bolts.</p>								
<p>Thread form C = UNC/UNRC F = UNF/UNRF U = 8UN/8UNR M = Metric</p>								
<p>Thread Class 2 = 2A      4 = 4g6g (metric) 3 = 3A      6 = 6g (metric) 9 = oversize for zinc coating</p>								
<p>Type of fastener B = Heavy Hex Structural Bolt R = Regular Hex Capscrew H = Heavy Hex Capscrew S = Socket Head Capscrew F = Socket Flat (82 degrees countersunk) Head Capscrew</p>								
<p>Nominal Diameter Metric      mm (uses two digits below 100mm) Inches      16ths of an inch (uses one digit for 9/16 and smaller)</p>								
<p>Special Features (includes coatings) - = No special features or coatings L = Has locking element. This may be combined with a coating designator B = Black Oxide Z or G or H or M = Zinc coating, the different letters indicate different methods of applying the coating.</p>								
<p>Nominal Length Metric      mm (uses two digits below 100mm) Inches      16ths of an inch (uses one digit for 9/16 and smaller)</p>								
<p>Material Standard Suffix A one to three letter code that indicates what material is use. See SAE J2295 for list of codes. T1 is type 1 (medium carbon) steel per ASTM A449 .</p>								

**Table 075-3-10. SAE J2295 PART NUMBERING SYSTEM FOR NUTS**

	A194	C	2	R	12	-	7
<p>Product standard number                      This is the ASTM product standard used for the nut. See SAE J2295 for specification list.                      ASTM A194 is for high temperature steel nuts.</p>							
<p>Thread form                      C = UNC/UNRC                      F = UNF/UNRF                      U = 8UN/8UNR                      M = Metric</p>							
<p>Thread Class                      2 = 2A      4 = 4g6g (metric)                      3 = 3A      6 = 6g (metric)                      9 = oversize for zinc coating</p>							
<p>Type of nut                      R = Regular Hex Nut                      H = Heavy Hex Nut                      J = Hex Jam Nut</p>							
<p>Nominal Diameter                      Metric      mm (uses two digits below 100mm)                      Inches      16ths of an inch (uses one digit for 9/16 and smaller)</p>							
<p>Special Features (includes coatings)                      - = No special features or coatings                      L = Has locking element. This may be combined with a coating designator                      B = Black Oxide                      Z or G or H or M = Zinc coating, the different letters indicate different methods of applying the coating.</p>							
<p>Material Standard Suffix                      A one to three letter code that indicates what material is used. See SAE J2295 for list of codes.                      7 is grade 7 steel per ASTM A194.</p>							

**Table 075-3-11. SAE J2271 AND J2271M PART NUMBERING SYSTEM FOR STUDS**

	J2271	C	025	T	450	FZ
<p><b>SAE Document Number</b> This is the SAE specification for the stud part numbering system. SAE J2271 is for inch base studs, SAE J2271M is for metric studs (the M is not added).</p>						
<p><b>Thread type</b> SAE 2271 C = UNC/UNRC U = 8UN/8UNR SAE 2271M M = Metric</p>						
<p><b>Nominal Diameter</b> SAE J2271 Inches            100ths of an inch (uses three digits) SAE 2271M Metric            mm (uses two digits below 100mm)</p>						
<p><b>Stud type and body configuration</b> SAE J2271 T - Continuous thread stud U - Double end stud bolt - constant strength V - Double end stud bolt - full or undersize body X - Double end stud - tap end interference fit - constant strength body Y - Double end stud - tap end interference fit - full or undersize body SAE J2271M T - Continuous thread stud U - Double end stud bolt - constant strength V - Double end stud bolt - full or undersize body</p>						
<p><b>Length</b> SAE J2271 Inches            100ths of an inch (uses three digits) SAE J2271M Metric            mm (uses two digits below 100mm)</p>						
<p><b>Material Designator</b> A one or two letter code that indicates the material and coating used. See SAE J2271 or SAE J2271M for a list of codes. FZ is grade 5 zinc coated steel per ASTM 449.</p>						

**075-3.9 TELEPHONE NUMBERS AND POINTS OF CONTACT**

075-3.9.1 GENERAL. If you don't know who to contact about a problem, a problem call can be entered on the Navy

Anchor Desk web site (<http://www.anchordesk.navy.mil/index.htm>) or the Sailor to Engineer web site (<https://HELP.PHDN-SWC.NAVY.MIL/>). The Navy Anchor Desk provides general support to assist users in solving problems. The Sailor to Engineer site provides users with fleet technical assistance from NAVSEA and Naval Surface Warfare Center technical personnel.

075-3.9.2 NAVAL SURFACE WARFARE CENTER CARDEROCK DIVISION (NSWCCD) Contact personnel at NSWCCD are listed in table 075-3-12 for their areas of responsibility. The telephone number is (215)-897 + Ext. or DSN 443 + Ext. Requests for information or answers to questions concerning fasteners may be forwarded to NSWCCD 615 by facsimile transmission using the "Inquiry & Technical Response Record" (Table 075-3-7). The e-mail address for NSWCCD Code 615 is James.Soisson@navy.mil . An additional point of contact is James.C.Jennings@navy.mil.

075-3.9.3 DSCP. Personnel at DSCP (Defense Supply Center Philadelphia) may also be contacted for assistance. The telephone number is (215)-697 + 2000 or DSN 442 + 2000. Ask for the item manager for the Federal Supply Code listed in Table 075-3-13 or for the Fastener Engineering Division if the item manager cannot provide the needed assistance.

075-3.9.4 NAVICP (NAVAL INVENTORY CONTROL POINT), FORMERLY SPCC (SHIPS PARTS CONTROL CENTER). Personnel at NAVICP-M-P, Code 8453P, may be contacted for assistance in the ordering of Level I/Subsafe fasteners. The number is (717)-605-2073 or DSN 430-2073. NAVICP-M-P also publishes the **Level I/Subsafe Stock Program Catalog** (NAVSEA 0948-LP-103-6010) which provides ready identification of Level I/Subsafe fasteners by using activities. The catalog lists materials in the LI/SS Stock Program by noun name and shows the applicable National Stock Number (NSN) or Navy Item Control Number (NICN) to be used in requisitioning material from NAVICP (Mechanicsburg, PA) via normal supply channels. The items in the catalog are grouped by commodity for ease of use.

**Table 075-3-12. NSWCCD POINTS OF CONTACT**

Area of Responsibility	Code	Extension
Fasteners	615	1628 or 7869
<b>NSTM Chapter 075, Fasteners</b>	615	1628 or 7869
<b>NAVSEA S9505-AM-CYD-010 Submarine Fastening Criteria</b>	615	1628 or 7869
PC-BOLTS Fastener Torque Computer Program	615	1628 or 7869

**Table 075-3-13. FEDERAL SUPPLY CODES FOR THREADED FASTENERS**

FSC	Item
5305	Screws (Plain & Self-locking)
5306	Bolts
5307	Studs
5310	Nuts & Washers
5340	Threaded Inserts

## SECTION 4

### FASTENER TIGHTENING

#### 075-4.1 GENERAL

075-4.1.1 Tightening a threaded fastener usually means turning a nut on a bolt or stud or turning a capscrew in a tapped hole until you achieve the required clamping force. Although installation specifications usually call for a particular torque for each fastener or group of fasteners, it is not the torque that is important, it is the clamping force that is developed by that torque that matters. The clamping force required depends on the particular application. Some applications, such as swing-leg pipe hangers or clevises, may require no clamping force, and in fact, may specify that the fastener be loose. Other applications, such as turbine casing fasteners or hull integrity or main steam flange fasteners, may require clamping forces that stress the fastener almost to its yield point. The order in which each fastener is tightened may also be specified. Fastener tightening procedures developed by the shipbuilder or the equipment manufacturer should be provided for all critical systems or joints (i.e. main and auxiliary steam, hydraulic, high pressure air and other gases, high pressure feed, condensate and drain, diesel engine hold-down bolts, main bearing cap bolts). In other words, fastener torques or tightening procedures should be provided for any pressure containing system where release of the entrapped fluid or gas will have a detrimental effect on safety of personnel or the ability of the ship to accomplish its mission or any bolted flange or joint whose failure might cause injury to ship's personnel or damage to equipment thus preventing or reducing the ability of the ship to accomplish its mission. Where tightening instructions are not provided, recommended torque values and the tightening procedures specified herein may be used.

This section will discuss the following:

- a. Tightening sequence
- b. Preload
- c. Relaxation
- d. Methods of establishing preload
- e. Special cases

#### 075-4.2 TIGHTENING SEQUENCE

075-4.2.1 If more than one fastener is used in a joint, determine the proper tightening sequence for each fastener. More than one piece of expensive equipment has been cracked or warped because the mechanic failed to follow this rule. Installation specifications should specify the tightening sequence for each assembly using two or more fasteners. If the sequence is not specified, follow the applicable guide shown in Figure [075-4-1](#).

#### 075-4.3 PRELOAD

075-4.3.1 PRELOAD THEORY. Think of a threaded fastener being used to hold two flanges together. The nut has been tightened, or snugged up, just enough to hold the flanges in contact with each other. This fastener would be considered to have no preload. If you tried to pull the flanges apart, the fastener would feel the force that you applied. Now, tighten the nut so that the clamping force it is applying to the flanges is greater than the force you

applied by pulling on them. You have now preloaded the fastener and it will not feel the force you are applying. The amount of preload a fastener needs is usually considered to be an amount somewhat larger than the largest force that the fastener will experience in service.

075-4.3.1.1 A good example to help in visualizing the mechanism of preload is given by a valve and valve spring assembly in a car engine. The valve spring, the two "flanges" in this case, is compressed to about 150 pounds. The nut (valve keeper) is now installed on the end of the valve stem (bolt.) The valve stem has now been preloaded to 150 pounds. Now push on the valve stem with a 149 pound force. The valve will not open because the resulting force is 1 pound in the closing direction. A force of 150 pounds will exactly balance the spring force with the preload. However, if you push with a force of 151 pounds, the valve will begin to open since you have exceeded the preload. At this point the valve stem has no tensile force acting on it. The force drops to zero as soon as the valve lifts off its seat.

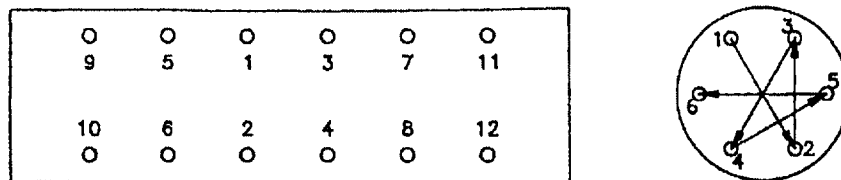


Figure 075-4-1. Tightening Sequence.

075-4.3.2 PURPOSE OF PRELOAD. There are two basic reasons to apply preload to a fastener: (1) to reduce the tendency for the fastener to loosen in service and (2) to improve the fastener fatigue life.

075-4.3.2.1 Preventing Loosening. See paragraph [075-5.2](#) for a discussion on the use of preload to prevent loosening.

075-4.3.2.2 Improving Fastener Fatigue Life. With the possible exception of loss of the fastener due to loosening, the primary cause of fastener failure in service is breakage due to fatigue. Any application of a significant load to a part that causes stress levels in that part to reach 50 percent of yield or more causes some fatigue damage. Repeated (cyclic) application of that load will result in an accumulation of fatigue damage that will eventually cause a crack to develop where the stresses are highest. As the cyclic load continues to be applied, the crack grows and the part eventually breaks. If the fastener is torqued to the point where its tensile stress is above the operating stresses, however, the fastener will pass through only a small fatigue cycle. Some materials resist the accumulation of fatigue damage better than others. For example, steel has very good fatigue life while the fatigue life of copper or aluminum is relatively poor.

075-4.3.2.2.1 Influence of Cyclic Stresses. A piece of wire, tubing, or flatbar, a nail, or a bolt will all break if you bend them back and forth several times. They will also eventually break if you don't actually bend them, but just flex (or vibrate) them back and forth often enough. Likewise, the main bearing cap bolt on an engine will break if it is not properly tightened and the engine is run hard. In this case, the stresses in the bolt are not bending stresses but tensile stresses. It doesn't make any difference what kind of stresses they are; if they are high enough and cycled on and off- or worse, back and forth - enough times, the part will break. The dangerous thing about fatigue damage during the crack initiation period is that no nondestructive testing (NDT) technique can tell you how much has occurred. A part can be one load cycle from developing a crack and you can't detect it.

075-4.3.2.2.2 Sources of Cyclic Stress. Now think about what happens to the main bearing cap bolt. If it is just snugged up, each time one of the pistons pushes down on the crank the bolt is loaded up with a high tensile load. If the cap bolt is tightened so that its tensile load (preload) is greater than the operating loads from the pistons, however, the bolt will experience no significant load changes and fatigue damage will be minimal. The same thing happens to most of the equipment on board ship. As the ship works in the seaway and the equipment and piping on board the ship vibrate, shake, and are exposed to thermal expansion loads and pressure changes, these

changes and actions can potentially subject the fasteners that hold the equipment and piping in place to changes in loading. Two especially critical applications are diesel engine hold-down bolts and main steam line flange bolts. The diesel engine hold-down bolts are affected by vibration and the main steam line flange bolts experience increased loading due to thermal expansion loads and pressure changes.

**075-4.3.2.2.3 Determining Design Torque.** When a bolted joint is designed, several factors must be considered before determining the preload required, bolt size, and number of bolts to be used. These factors include, but are not limited to, such things as creep relaxation, thermal effects, as well as in-service loads. Many of these factors can not be predicted with a high degree of certainty and each may vary from application to application. In addition, there can be as much as a 75% variation between the actual preload present after application of the specified torque and the calculated preload for that torque. Therefore, the bolt torque that should be listed in the equipment technical manual or on the applicable drawing is one that will provide the minimum required preload (plus a factor of safety if it is considered a critical joint) under the worst predicated circumstances without overstressing the fastener. The size and number of fasteners may be increased to ensure that no one bolt will be overstressed.

**075-4.3.2.2.4 Recommended Torque Values.** Use the table of recommended torque values (Table 075-4-1) when you can't find the equipment installation specifications and the manuals and/or drawings do not identify the torque values. The equipment designer uses a similar table to select the fastener. This means that if you tighten the fastener to the maximum recommended torque from Table 075-4-1, you will probably have enough preload to hold until you can get a copy of the technical manual or the applicable drawing and make any necessary corrections. The torques in Table 075-4-1 have been designed to produce a tensile stress in the fasteners of 60 percent of the minimum yield strength of the material. The following requirements also apply to Table 075-4-1.

- a. These values apply to nuts on stud bolts and through bolts only.
- b. These values are based on lubricated fasteners only.
- c. When using self-locking fasteners, measure the prevailing torque that exists before the bearing surfaces contact. Add this prevailing torque to the torque values in the table.
- d. These values are intended to be used with metal-to-metal joints or joints with hard gaskets such as these made of material manufactured to MIL-G-24696, Gasket, Sheet, Non-Asbestos, which are 1/8 inch thick or less. They are also suitable for use with steel flanges using spiral-wound gaskets, which have a compression control ring or recess. See paragraph 075-4.5.1.6 for more detail on establishing adequate preload in flange joints with spiral-wound gaskets.
- e. These values are usually too high for soft (rubber) gasketed joints or joints with plastic insulator elements.
- f. If these torques do not produce the desired results (a leak-free or rigid joint), inspect for damaged threads, dirt, or metal chips in threads, bent studs, or warped mating surfaces.
- g. For through bolts, always hold the bolt head and tighten the nut, never the other way around.
- h. Table 075-4-1 is based on the assumption that both of the mating thread components are of materials of nearly equal strength. When the material of the internally threaded component is of lower strength than the externally threaded component, which is common, a reduced torque must be used or inserts installed in the weaker material. The required torque in such cases should be listed on component drawings or in component technical manuals. When this information is not specified, the torque limits in Table 075-4-2 should be used as guidance. Regardless of the length of insert, do not use a torque value for a material with a greater strength than the fastener actually used.

**075-4.3.3 DETERMINING PROPER PRELOAD.** The proper preload has been determined for a joint when the clamping force specified for each fastener exceeds the maximum load that will be applied to that fastener during any design operating condition. It bears repeating that it is not the torque being applied to a fastener that is important, it is the clamping force that results from that torque that is important; the torque is only a means to an end. It doesn't do much good to apply 1000 foot-pounds of torque to a rusty fastener if only 50 foot-pounds of clamping force ever makes it to the equipment because it takes the other 950 foot-pounds to overcome the forces due to the presence of rust.

075-4.3.3.1 Determining Design Operating Loads. The equipment designers take all loads such as pressure, mechanical, startup and shutdown, thermal expansion, lack of lubrication, or HI-shock into account and determine the worst case combination. They then convert this load into individual fastener loads that are used to size the fasteners.

075-4.3.3.2 Determining Torque Requirements. After sizing the fasteners, each individual fastener load is usually converted into torque, which is then specified as the designed torque requirement for that fastener. For some applications, achieving a more precise clamping force (preload) is important enough to require more precise tightening methods. A good example would be turbine casing bolts, which require a combination of initial torque and a specified turn-of-nut (one or two flats, for example) (see paragraph 075-4.5.2 ).

## 075-4.4 RELAXATION

075-4.4.1 GENERAL. Once you get a fastener tightened properly you would like it to stay that way. That is not what happens with nuts and bolts, unfortunately, because as time passes they tend to lose some of their preload. This loss of preload, or the fastener's tendency to relax in doing its job of holding parts together, is called relaxation. Relaxation has two significantly different phases or stages: initial and long term.

075-4.4.2 INITIAL RELAXATION. Initial relaxation starts as soon as you tighten the fastener and is completed in a few hours. The threads of the fastener and its washers and bearing surfaces work their way closer together, gaskets creep, and equipment flanges seat. In the past, it was standard practice to retorque head bolts on an engine because it took a while for the gasket to seat and reach its initial compressed state. Current engines use different gasket material and start out with higher torques so this retorquing is less important. Be sure to carefully follow the engine manufacturer's instructions concerning retorquing of head bolts. In the event that you are unable to locate the manufacturer's instructions, the following general guidance may be used for preloading operations: (1) bring the head bolts up to within 10 foot pounds of the final torque value, (2) give the fasteners time to relax while working on something else for about an hour, (3) then torque the fasteners to the correct value. Retorque fasteners in steam pipe joints or other hot systems to the required torque value following the first hot operating cycle.

**Table 075-4-1. MAXIMUM RECOMMENDED TORQUE VALUES \***

Bolt or Capscrew Nominal Diameter	Thread Size	Minimum Yield Strengths				
		30,000 lb/in <sup>2</sup>	65,000 lb/in <sup>2</sup>	85,000 lb/in <sup>2</sup>	105,000 lb/in <sup>2</sup>	130,000 lb/in <sup>2</sup>
.250	20 UNC	17 in-lbs	37 in-lbs	49 in-lbs	60 in-lbs	74 in-lbs
	28 UNF	20 in-lbs	43 in-lbs	56 in-lbs	69 in-lbs	85 in-lbs
.3125	18 UNC	35 in-lbs	77 in-lbs	100 in-lbs	124 in-lbs	153 in-lbs
	24 UNF	39 in-lbs	85 in-lbs	111 in-lbs	137 in-lbs	170 in-lbs
.375	16 UNC	63 in-lbs	11 ft-lbs	15 ft-lbs	18 ft-lbs	23 ft-lbs
	24 UNF	71 in-lbs	13 ft-lbs	17 ft-lbs	21 ft-lbs	26 ft-lbs
.4375	14 UNC	100 in-lbs	18 ft-lbs	24 ft-lbs	29 ft-lbs	36 ft-lbs
	20 UNF	112 in-lbs	20 ft-lbs	26 ft-lbs	33 ft-lbs	41 ft-lbs
.500	13 UNC	13 ft-lbs	28 ft-lbs	36 ft-lbs	45 ft-lbs	55 ft-lbs
	20 UNF	14 ft-lbs	31 ft-lbs	41 ft-lbs	50 ft-lbs	62 ft-lbs
.5625	12 UNC	18 ft-lbs	40 ft-lbs	52 ft-lbs	64 ft-lbs	80 ft-lbs
	18 UNF	21 ft-lbs	45 ft-lbs	58 ft-lbs	72 ft-lbs	89 ft-lbs
.625	11 UNC	25 ft-lbs	55 ft-lbs	72 ft-lbs	89 ft-lbs	110 ft-lbs

**Table 075-4-1. MAXIMUM RECOMMENDED TORQUE VALUES \* -**

Continued

Bolt or Capscrew Nominal Diameter	Thread Size	Minimum Yield Strengths				
		30,000 lb/in <sup>2</sup>	65,000 lb/in <sup>2</sup>	85,000 lb/in <sup>2</sup>	105,000 lb/in <sup>2</sup>	130,000 lb/in <sup>2</sup>
	18 UNF	29 ft-lbs	62 ft-lbs	82 ft-lbs	101 ft-lbs	125 ft-lbs
.750	10 UNC	45 ft-lbs	98 ft-lbs	128 ft-lbs	158 ft-lbs	195 ft-lbs
	16 UNF	50 ft-lbs	109 ft-lbs	143 ft-lbs	176 ft-lbs	218 ft-lbs
.875	9 UNC	73 ft-lbs	158 ft-lbs	206 ft-lbs	255 ft-lbs	315 ft-lbs
	14 UNF	80 ft-lbs	174 ft-lbs	227 ft-lbs	281 ft-lbs	347 ft-lbs
1.000	8 UNC	109 ft-lbs	236 ft-lbs	309 ft-lbs	382 ft-lbs	473 ft-lbs
	12 UNF	119 ft-lbs	259 ft-lbs	338 ft-lbs	418 ft-lbs	517 ft-lbs
1.125	7 UNC	155 ft-lbs	335 ft-lbs	438 ft-lbs	541 ft-lbs	670 ft-lbs
	12 UNF	173 ft-lbs	376 ft-lbs	491 ft-lbs	607 ft-lbs	751 ft-lbs
1.250	7 UNC	218 ft-lbs	472 ft-lbs	618 ft-lbs	763 ft-lbs	945 ft-lbs
	12 UNF	241 ft-lbs	523 ft-lbs	684 ft-lbs	845 ft-lbs	1046 ft-lbs
1.375	6 UNC	286 ft-lbs	619 ft-lbs	810 ft-lbs	1001 ft-lb	1239 ft-lbs
	12 UNF	325 ft-lbs	705 ft-lbs	922 ft-lbs	1139 ft-lb	1410 ft-lbs
1.500	6 UNC	379 ft-lbs	822 ft-lbs	1075 ft-lb	1328 ft-lb	1644 ft-lbs
	12 UNF	427 ft-lbs	925 ft-lbs	1209 ft-lbs	1494 ft-lbs	1850 ft-lbs

\* Maximum recommended torque will develop approximately 60 percent of the minimum yield load for CRES and alloy steel fasteners assuming a torque coefficient of 0.12 which is typical for well lubricated installations. Fastener loads were determined by multiplying the minimum yield strengths, listed in the table, by the Tensile Stress Area ( $A_s$ ) listed in ASME B1.1.

Example: For 1/4 (0.250) inch, Grade 8, Alloy Steel Fastener, with UNC threads; Y Minimum Yield Strength = 130 ksi (from Table 075-3-1) D Nominal Diameter = 0.250

$A_s$  — Tensile Stress Area = 0.0318 (from ASME B1.1)

K — Torque coefficient = 0.12

T — Torque (inch pounds)

Maximum Clamping Load =  $Y * A_s = 130,000 * 0.0318 = 4134$  pounds

Recommended Clamping Load = 60% of 4134 pounds = 2480 pounds

T — Recommended Clamping Load \* K \* D

= 2480 pounds \* 0.12 \* 0.250 inches

= 74.4 inch-pounds rounded to 74 inch-pounds in table

**Table 075-4-2. TORQUE LIMITS FOR FASTENERS SCREWED INTO LOW SHEAR STRENGTH MATERIAL**

Shear Strength of Material	Typical Material	Insert Length in Nominal Diameters	Use Torque Values from Table 074-4-1 Columns for Applicable Materials as Shown Below (Min Yield KSI)
20,000	Cast Aluminum Alloys such as 356-T6	No Inserts *	30
		1	65
		1-1.2	85
		2	130
30,000	Aluminum 6061-T6	No Inserts **	65
		1	85
		1-1.2	130
		2	130
40,000	Aluminum 2014 (T4, T6) 2024 (T351, T4, T6)	No Inserts *	65
		1	85
		1-1.2	130
		2	130

\* Shipbuilding specifications usually require inserts in all aluminum alloys. Values for no insert conditions are based on at least 1 Diameter length thread engagement.

\*\* Use 80% of the values listed for the 65 KSI column.

**075-4.4.3 TORSIONAL RELAXATION.** High torsional stresses build up in a fastener as it is tightened. These torsional stresses relax with time, however, after the tightening operation has been completed. A large part of this relaxation occurs immediately after the wrench is removed. Most of the remaining torsional stress relaxes in a few days. In the past, there have been recommendations to back off slightly on the nut after it has been tightened to relieve the torsional stress in the belief that this would make more strength available for tension loads. Tests have shown, however, that this initial torsional stress takes care of itself, with some of it being converted into desirable tension or preload stress and most of the rest relaxing on its own. What torsional stresses remain are not harmful, so don't try to remove them.

**075-4.4.4 LONG TERM RELAXATION.** Long-term relaxation, as its name implies, occurs over several days or several years and causes a fastener to gradually lose its preload. There are two major causes of this long-term loss of fastener preload: stress relaxation and vibration relaxation.

**075-4.4.4.1 Stress Relaxation.** Long-term relaxation, other than that caused by vibration, is not usually a problem for systems operating below 600°F. As temperatures rise, however, a phenomenon called stress relaxation comes into play. Stress relaxation is the tendency of a highly loaded fastener to lose its preload over time when subjected to high temperatures. This effect of temperature on a loaded fastener is sometimes referred to as high-temperature creep. Some creep, and the accompanying stress relaxation, occurs at just about any temperature, but the rate of relaxation is usually too slow to be of concern in most ambient and moderate temperature applications. Stress relaxation is a major concern where the fastener is subjected to higher temperatures. It becomes significant as operating temperatures rise above 600°F. Since some fastener materials are more susceptible to high-temperature creep than others, be careful to use the proper fasteners for high-temperature applications. The system documentation will specify what fasteners to use.

075-4.4.4.2 Vibration Relaxation. Loosening of fasteners due to vibration where the nut and bolt actually rotate relative to each other is discussed in paragraph 075-5.1.2. Vibration will also cause some loss of preload by other means. This is called vibration relaxation. Vibration feeds energy into a fastener. This energy will cause the various mating surfaces to work into closer contact with each other, sometimes causing actual breakdown of the surfaces. You see evidence of this in the form of a red oxide coating between the moving parts of steel fasteners. This is called fretting corrosion. Another visual indication of vibration relaxation is the further compression of gaskets installed between mating flanges. All of these vibration effects can eventually reduce the preload to the point where the fastener can start to rotate as discussed in paragraph 075-5.1.2. The best defense against vibration relaxation is the same as that used to prevent the loosening discussed in paragraph 075-5.1.2; apply as much preload as the fastener and the joint can tolerate (see Table 075-4-1). This will make the joint more rigid and reduce its response to the vibration.

#### 075-4.5 METHODS OF ESTABLISHING PRELOAD

The following methods of establishing preload (listed below in order of increasing accuracy) are discussed in this section:

- a. Torque control
- b. Turn-of-nut control
- c. Torque control combined with turn-of-nut control
- d. Stretch control
- e. Ultrasonic stress control

075-4.5.1 TORQUE CONTROL. The first method of establishing preload is torque control.

075-4.5.1.1 Units of Measurement. Torque, when applied to tightening fasteners, is usually measured in inch-pounds or foot-pounds in U.S. standard units, 1 foot-pound being equal to 12 inch-pounds. You will also see torque expressed in pound-inches or pound-feet, which is the designation preferred in scientific specifications. When metric or the International System (SI) units are involved, put the force before the length, as this is the only acceptable designation. As far as U.S. standard units are concerned, inch-pounds and pound-inches are equivalent, and either term is acceptable when applied to threaded fasteners. The metric systems described below have two different conversion factors that do not vary by tens as you might have expected. This is because the Newton-meter system is based on weight and the kilogram-meter system is based on mass.

075-4.5.1.1.1 Metric Units, Newton-Meter. The system of metric units that most nations, the United States included, have adopted is the International System of Units. This system is called SI (from the French Systeme International d'units) in all languages. When converting from English units to metric units using conversion tables, look up pound-inches and pound-feet, as these are the defined equivalents of the metric units. The metric equivalent of pound-inches is Newton-centimeters (N • cm); the equivalent of pound-feet is Newton-meters (N • m). The metric equivalent of a 175 pound-foot torque wrench is a 230 N-m torque wrench. To convert from pound-feet to Newton-meters, multiply the pound-foot value by 1.3558 (1b-ft x 1.3558 = Newton-meters). Likewise, to convert from Newton-meters to foot-pounds, multiply the Newton-meter value by 0.73756 (Newton-meters x 0.73756 = pound-feet). To convert from Newton-meters to kilogram-meters, multiply by 0.102.

075-4.5.1.1.2 Metric Units, Kilogram-Meter. Some torque wrenches may be calibrated in kilogram-meters (kg • m) and kilogram-centimeters (kg • cm). In this system of units, the metric equivalent of pound-inches is

kilogram-centimeters (kg • cm); the equivalent of pound-feet is kilogram-meters (kg • in). In this system, the metric equivalent of a 175 pound-foot torque wrench is a 25 kg • m torque wrench. To convert from pound-feet to kilogram-meters, multiply the pound-foot value by 0.1383 (lb-ft x 0.1383 = kilogram-meters). Likewise, to convert from kilogram-meters to foot-pounds, multiply the kilogram-meter value by 7.233 (kilogram-meters x 7.233 = pound-feet). To convert from kilogram-meters to Newton-meters, multiply by 9.81.

075-4.5.1.2 Determining Required Torque. As discussed in section 075-5 on threadlocking, the thread on a nut is simply a wedge formed into a spiral that you drive under the thread on the bolt with a wrench in an attempt to stretch the bolt. The main problem is that most of the torque goes into overcoming friction with very little left over to pull on (stretch) the bolt. There is a tremendous variation in the surface condition of the threads, and the nut and equipment bearing surfaces. Some are rusty, some rough, and some metals tend to gall. The properties of the lubricants used on threads also vary.

075-4.5.1.2.1 Prevailing Torque. Prevailing torque is the torque required to rotate one part of an unloaded fastener relative to the other. This can vary from essentially none for a new, clean fastener held in your hand, to significant amounts for self-locking fasteners, to large amounts for fasteners with damaged threads. Regardless of the prevailing torque, the final torque value that you can see on your torque wrench must equal the torque specified for that particular application, plus the prevailing torque that you measured as you turn the nut on the bolt in its unloaded state. Otherwise, the actual clamping force that you achieve will be short by the amount of torque required to overcome the prevailing torque. The torque required to draw two mating surfaces together, such as that required to draw up cold sprung piping joints, is not prevailing torque. Once the clamping force achieved by the fastener exceeds the force required to bring the joint together, the threshold of preload has been reached, and the nut no longer experiences the draw-up force.

075-4.5.1.2.2 Torque vs. Preload Equation. Many calculations have been made and many experiments conducted to try to determine the proper torque vs preload equation. Under ideal conditions - that is, if the threads are well formed and smooth, if the coating was properly applied, if there is no rust or corrosion, if the spot face on the equipment is true with the hole centerline, and if the bearing surfaces are clean and smooth the following equation works reasonably well as a first-cut approximation:

$$T = KPD + T_p$$

where:

- T the required torque in inch-pounds.
- K the appropriate overall torque coefficient.
- P the desired preload in pounds.
- D the nominal diameter of the fastener in inches.
- T<sub>p</sub> the prevailing torque required to turn the unloaded fastener.

075-4.5.1.2.2.1 The value of K will vary significantly, with 0.2 being used for unlubricated steel and 0.13 used for fasteners with a lubricant such as Fel-Pro C5A. The recommended torque values in Table 075-4-1 were developed using a value of 0.12 for K. If you need to be more precise in establishing the proper preload, you will have to use a more precise equation such as the PC-BOLTS computer program discussed below. If greater accuracy than that produced by torque control is required you may want to use one of the other techniques discussed later in this section for establishing the preload.

075-4.5.1.2.3 PC-Bolts Fastener Torque Computer Program. A computer program, PC-BOLTS, is available for calculating torque, preload, and stresses in threaded fasteners. It can be used on IBM PC's and compatibles. The user's guide is NAVSEA S9505-AM-GYD-010 (formerly NAVSEA 0900-LP-091-6010), **Submarine Fastening Criteria (Non-Nuclear)**, Appendix E. The program is maintained at Submarine Monitoring Maintenance and Support Program Offices (SMMSO) and provides a fast but thorough method of computing torque values where no torque value is specified on the applicable ship's drawings or technical manuals. If you are not in port and you need a more precise method of establishing the proper torque, send the following input data to NSWCCD (See telephone numbers at end of Section 3.)

- a. Bolt or stud material
- b. Bolt or stud diameter
- c. Bolt or stud thread series
- d. Nut material
- e. Clamped material (the flange material)
- f. Set end material (for capscrew or stud in blind hole)
- g. Lubricant used
- h. Drawing number and joint designation (if available)

Request that NSWCCD run the program and send back the results.

075-4.5.1.3 Applying Torque to a Fastener. If a bolt is located so that its centerline is horizontal and a wrench with a perfectly straight, 1-foot-long handle is placed on the bolt head so that the wrench handle is also horizontal, and a 1-pound weight is hung from the end of the handle, 1 foot-pound of torque is being applied to the bolt. If the wrench handle is hanging straight down, no torque is being applied. To make the example a little more complicated but to make a point, if the wrench handle is horizontal but bent so that it is at a 45-degree angle to the centerline of the bolt, 0.707 foot-pounds of torque is being applied. To take this to the extreme, if the wrench handle is bent so that its centerline is in line with the bolt's centerline, no torque is being applied. The angle at which you hold a wrench makes difference in the torque that you apply to the fastener. Universal joints in a socket wrench extension help reduce the torque that is lost when the torque is applied at an angle to the centerline of the bolt. With a universal joint in a socket wrench extension, the torque may be applied at any angle up to 15 degrees with no significant loss.

075-4.5.1.4 Torque Wrenches. The most dependable and accurate torque wrench is also the simplest and cheapest, the beam type. Either the round or flat beam type will do. To calibrate it, make sure that the pointer is pointing to zero before you start and that it is not rubbing on the scale. Slightly bending the pointer with a pair of pliers will correct either problem. The deflection of its shaft, therefore the reading that you see on the scale, depends on the modulus of elasticity of the material. The modulus does not change with the amount of use or abuse, so the wrench will not get out of calibration unless you somehow manage to reduce the thickness or diameter of the shaft. Various types of torque wrenches, with various size drives and torque ranges, can be found in the Afloat Shopping Guide under Class 5120.

075-4.5.1.5 Tightening Fasteners Using Torque Control. In view of the problems associated with using torque to establish preload that are listed above, you obviously must minimize the effects of those variables. First, if no other guidance is available, review the preinstallation inspection procedures in paragraph 075-8.3. Then, follow the steps listed below and you can be reasonably confident that you have established the specified preload.

1. Clean and inspect the threads of the fasteners. If they are not well formed and smooth, get a new fastener.
2. Clean, inspect, and repair the fastener and equipment bearing surfaces, being careful not to nick the bolt head-to-shank fillet as this is a point of high stress concentration.
3. Clean the mating surfaces of the parts to be joined. Make sure that no metal is pulled up around threaded holes and that there is a slight chamfer at the hole entrance.
4. Apply a good lubricant, or an approved antiseize compound if operating temperatures are above 300°F and there are no instructions prohibiting the use of lubricants (see paragraph 075-4.6.1), to the threads and bearing surfaces. Lubricate both the internal and the external threads so that some of the lubricant will be pushed ahead as the threads engage and provide lubrication for the bearing surfaces.
5. Evenly snug up all the fasteners, making sure that the mating surfaces of the joint do not become cocked in the process.
6. Determine the proper tightening sequence, from the equipment specifications, if available; if not, then from Figure 075-4-1.
7. Then, holding the torque wrench properly, apply the torque slowly and smoothly, tightening the fasteners uniformly, a little at a time. A good practice is to apply about 10 percent of the specified torque first to make sure that the parts are solidly together. Then, apply torque in 25 percent increments (i.e. 25, 50, 75, and 100 percent).
8. Finally, reverse previous sequence (i.e. 6, 5, 4, 3, 2, 1), tightening at 100 percent of required torque.

075-4.5.1.6 Special Requirements for Spiral-Wound Gaskets. Spiral-wound gaskets provide an excellent seal for high-pressure or high-temperature joints, or both, and are available in a variety of shapes. However, special requirements apply to tightening fasteners used with these gaskets. If you follow these special requirements, the result should be a trouble-free joint. These joints have design features that help you get the proper gasket compression. This is done either by using a compression control ring around the outside of the gasket or by providing a recess of the proper depth in the flange for the gasket. The ring around the outside of the gasket also serves to center the gasket. Both the thickness of the ring and the depth of the recess are machined to a specified dimension, usually 1/8 inch. For detailed information concerning the proper installation and bolting-up procedures for spiral-wound gaskets, refer to NSTM Chapter 078, Volume 2, Gaskets and Packing.

075-4.5.1.7 Changes in Torque as Fastener Yields. As a fastener begins to yield, there is no drop in torque, nor is there any reduction in preload. On the contrary, the torque continues to increase with further tightening, as does the preload. The rate of increase in torque and preload drops off until there is no further increase. Only after this point will there be a reduction in torque or preload; the fastener is then no longer yielding but failing. The first stages of yielding actually work to harden the fastener and increase its strength. If there is any significant amount of yielding, however, the fastener will suffer fatigue damage and its fatigue life will be reduced. Standard practice in the steel construction industry is to turn the nuts on some fasteners to the point of yield (that is, to the point where the rate of increase in torque with further tightening reduces significantly) and then a little more to ensure that the maximum amount of preload has been applied. This is one positive way to be sure you have reached the specified preload. Don't do this on shipboard applications unless the specific drawings or equipment manuals specify it. The steel construction industry uses special fasteners with high ductility, which allows them to stretch a significant amount without damage; shipboard fasteners may lack such ductility.

075-4.5.2 TURN-OF-NUT CONTROL. Some applications will specify how far to turn a nut instead of torque values. This method, if done properly, produces more predictable preload. You know the pitch of the bolt's thread,

so you know how far the bolt will be stretched when you turn the nut one complete turn. Since you know the mechanical properties of the bolts, you can tell how far to stretch the bolt to establish a particular preload. A turn of only a flat or two is usually all that is required.

075-4.5.2.1 The Basis of Turn Requirements. Determining turn requirements is an engineering task beyond the scope of this manual. When this method is to be used for preload, the requirements will be identified on drawings or in technical manuals. The following example is over simplified but provides some understanding how this method of establishing a preload works.

Example of Theoretical Angular Turn Calculation: Assume a steel stud bolt (modulus of elasticity equals 30,000,000 psi) with a length of 10 inches between the two nuts and a cross-sectional area on 1.0 square inch and a pitch of 10 threads to the inch. To develop a preload of 30,000 pounds, how much do you have to turn the nut past hand tight?

Calculations:

$$\begin{aligned}
 E &= \text{Modulus of Elasticity} \\
 &= 30,000,000 \text{ psi} \\
 L &= \text{Length (effective)} \\
 &= 10 \text{ inches} \\
 A &= \text{Cross-sectional area} \\
 &= 1.0 \text{ square inches} \\
 T_p &= \text{Thread pitch} \\
 &= 10 \text{ threads per inch} \\
 P &= \text{Desired Preload} \\
 &= 30,000 \text{ pounds} \\
 \text{Stress} = P/A &= 30,000 \text{ lbs}/1.0 \text{ in}^2 \\
 &= 30,000 \text{ psi} \\
 \text{Stretch} &= \text{Stress} * L/E \\
 \text{Required} &= \frac{30,000 \text{ lb/in}^2 * 10 \text{ inches}}{30,000,000 \text{ lb/in}^2} \\
 &= 0.010 \text{ inches} \\
 \text{Stretch/Turn} &= 1/T_p \\
 &= 1 \text{ inch}/10 \\
 &= 0.1 \text{ inch/turn} \\
 \text{Turns} &= \text{Stretch Required over Stretch/turn} \\
 \text{Required} &= 0.010 \text{ inches over } 0.1 \text{ inch/turn} \\
 &= 0.1 \text{ turn} \\
 \text{Degrees} &= \text{Turns Required} * 360 \text{ degrees/turn} \\
 \text{Required} &= 0.1 \text{ turn} * 360 \text{ degrees/turn} \\
 &= 36 \text{ degrees}
 \end{aligned}$$

A six sided hex nut has 60 degrees to a side, in this case a turn of a little over one-half a side (flat) is required to develop the preload. The actual calculations may consider how much of the stretch occurs in the threads as opposed to the shank of the bolt and also the stretch that occurs in the nut. Compression of the flange and any gasket also need to be considered.

075-4.5.2.2 Units of Measurement. The amount you need to turn the nut is given either in degrees, number of flats or fractions of a flat. With six flats on a hexhead nut and 360 degrees in a circle, one flat is worth 60 degrees, half a flat 30 degrees, and so on. PC Bolts (see [075-4.5.1.2.3](#)) will calculate angular turn if requested when set-

ting up calculations, and NAVSEA S9505-AM-GYD-010 (again, see [075-4.5.1.2.3](#)), Section 4, contains a simplified method for hand calculation of required angular turn. In spite of its simple appearance, this hand method does take into account joint stiffness and the other complex variables not accounted for in the theoretical calculation above.

**075-4.5.2.3 Tightening.** Before applying the required angular turn, initially snug down all fasteners sufficiently to bring all the elements of the joint into good physical contact (that is, there is resistance to further turning of the nut or capscrew due to compression, rather than just friction). Application of a preload equivalent to approximately 10% of the torque that would be applied if a torque wrench were being used to tighten the joint is generally sufficient. Now that the fasteners have been initially snugged down, apply 25% of the total required angular turn to each fastener in the required pattern, then, repeating the pattern, take them to 100% of the required angular turn. Once the entire tightening process is completed, on a one-at-a-time basis, loosen each fastener completely, re-tighten to the initial snug condition as defined above, then rotate the nut through the required angular turn that was applied in the first tightening. This re-tightening process is accomplished on each fastener, in its entirety, before proceeding to the next fastener.

#### NOTE

The information in paragraph [075-4.5.2.3](#) contains a different procedure for tightening a fastened joint than previous versions of NSTM 075.

**075-4.5.2.4 Where to Make the Measurements.** Although it is easy to scribe a mark on the flange at the corner of the nut, that may not be the best place. What you are interested in is how much the nut rotates relative to the bolt or stud. You must be careful to notice any movement of the bolt or stud while you are tightening the nut (see paragraph [075-4.5.2.4.2](#)). Suggested locations for marking fasteners for measurement of turns are listed below.

**075-4.5.2.4.1 Capscrews.** Where a capscrew is threaded into a blind hole, the flange face is obviously the place to mark. Pick a convenient spot on the head of the capscrew, scribe a mark at this spot, and then scribe a connecting radial line on the flange.

**075-4.5.2.4.2 Stud Bolts.** When you have a stud bolt you have to scribe a line across both ends of it. Hold a straight edge in line with two opposite corners of the nut, scribe the line across the stud and mark one end of the line. Then, mark the corner adjacent to the marked end of the line (you really do need to mark the adjacent corner, because it's too easy to lose track of where you were). Now, you can tell how much either nut rotates relative to the stud bolt and then sum the two rotations to get the total turn.

**075-4.5.2.4.3 Studs.** Marking a stud is a little more complicated. Here, you need also to determine whether the stud turns in its hole. Position a straight edge in line with two opposite corners of the nut as you did with the stud bolt, but this time pick the corners so that the straight edge is over a part of the flange that you can also mark. Now, scribe the line across the end of the stud and also scribe a radial line on the flange at one of the two corners. Then mark the corner of the nut adjacent to the scribed line on the flange, and mark the end of the line on the stud adjacent to the marked nut corner. Now, you can tell how much the nut rotates relative to the stud by looking at the position of the marked corner of the nut relative to the line on the stud. You can also tell if the stud has rotated in its hole by checking the position of the line on the stud relative to the line on the flange.

075-4.5.2.5 Turning the Nut. Always use a torque wrench if you have the right size and can get it on the nut. For some applications you may have to use a slugging wrench because the torque is too high for any other wrench. The only thing you lose by not using a torque wrench is being able to use the final torque value as a check. It also helps to be able to observe any change in the rate of increase in torque, which could indicate gasket collapse, the beginning of yielding of the fastener, or some other local problem associated with one fastener.

075-4.5.3 STRETCH CONTROL. In one way, stretch control is an improved variation of turn-of-nut, or you may say that turn-of-nut is a simplified method of stretch control. In either case, stretch control is a more accurate method of establishing a particular amount of preload than turn-of-nut. In this method, the stretch of a fastener is measured by a micrometer or other suitable means.

075-4.5.3.1 Determining Stretch Requirements. This is done the same way as in the turn-of-nut in paragraph [075-4.5.2.1](#) except that you stop after you have found the stretch requirement. As with turn-of-nut, determining the amount of stretch required to produce a particular preload is complicated, but, if this is the specified method for tightening a particular fastener, you will be given the necessary information.

075-4.5.3.2 Measuring the Stretch. Measuring is done in various ways, depending on the fastener shape. If you can reach both ends of the fastener with a micrometer caliper, that is the best way. If you have a stud or a cap-screw, it will be modified so that a micrometer may be used. This is usually done on large (1-1/2 to 2 inches or larger) studs or capscrews. An axially drilled hole, with a small rod installed, will be provided in the fastener. You measure the change in length of the fastener relative to the length of the rod as shown in Figure [075-4-2](#).

075-4.5.4 ULTRASONIC STRETCH OR STRESS CONTROL. Ultrasonic equipment is available that can accurately measure the change in length of a fastener. This equipment is in use for some of the more critical fastener applications, but it is not something that you will find in the typical machinist's tool box. It is important that you know it exists and can be used if you need it. Some more advanced ultrasonic equipment is also available that can measure the stress in a fastener directly. This means that the specified preload can be established reliably every time with exceptional accuracy compared to the other methods available.

075-4.5.5 HYDRAULIC TENSIONING AND HEATING. Two final techniques you may run across are hydraulic tensioning and heating. Hydraulic tensioners are mounted over the fastener and stretch the stud by pulling on its end with a hydraulic piston. This stretches the fastener so that when the nut is run down and torqued, the preload is established and the tensioner can be removed. This can be done on more than one fastener at a time simply by hooking several tensioners up to a common manifold. A similar effect can be accomplished by heating the fastener, causing it to extend in length a specific amount and then snugging up the nut while it is hot. Then, when the fastener cools, it will shrink and develop the required preload. This is usually done by inserting a heating coil in a hole drilled through the length of the bolt or stud. Although these techniques are accurate, they cannot always establish as high a preload as you need. The tensioners also require a lot of working room and heating requires modifications to the fastener. You also have to be careful not to overheat the fastener.

## **075-4.6 THREAD LUBRICANTS**

075-4.6.1 GENERAL. The use of thread lubricants allows the reuse of a bolt and nut combination with minimal changes in torque-versus-load characteristics. Table [075-4-3](#) lists some of the lubricants most commonly used on threaded fasteners in systems and provides guidance and limitations on their use. However, if drawings, technical manuals, operating instructions, or other technical requirements specify the use of a specific lubricant, that

lubricant should be used except when red lead and graphite in mineral oil per MIL-L-24479 is specified. Where drawings, technical manuals, operating instructions or other technical requirements specify use of red lead and graphite in mineral oil per MIL-L-24479, instead use anti-galling compound Molykote P-37 paste per CID A-A-59004, unless the document states use of red lead and graphite in mineral oil lubricant per MIL-L-24479 is an approved exception to NAVSEAINST 9210.41. If the drawings, technical manuals, or operating instructions contain requirements in conflict with the general requirements in Table 075-4-3 clarifying guidance shall be obtained from the cognizant technical authority. Table 075-4-4 provides ordering information for the lubricants listed in Table 075-4-3.

### **CAUTION**

---

**When substituting anti-galling compound Molykote P-37 paste per CID A-A-59004 for red lead and graphite in mineral oil, the fastener torque must be adjusted to avoid excessively preloading the bolt. NAVSEA S9505-AM-GYG-010, Submarine Fastening Criteria (Non-Nuclear), contains torque tables for fasteners lubricated with Molykote P-37 paste.**

075-4.6.2 THREAD LUBRICANT APPLICATION. To be effective, the lubricant should be applied to the complete thread area. Apply a light coat over all the external threads, and then fill the first one or two internal threads. The lubricant in the first threads will then be distributed over the remaining internal threads as the fastener is assembled. Apply the lubricant sparingly so you don't fill blind holes with the compound. Use just enough lubricant to coat all of the threads. Also, be sure to coat the bearing surface of the nut or bolt.

### **CAUTION**

---

**In general, lubrication of all fasteners is recommended unless the technical documentation indicates lubricants are not to be used. However, for nuclear propulsion plant applications, if documentation indicates a specific torque requirement but does not identify the use of a lubricant, no lubricant shall be used.**

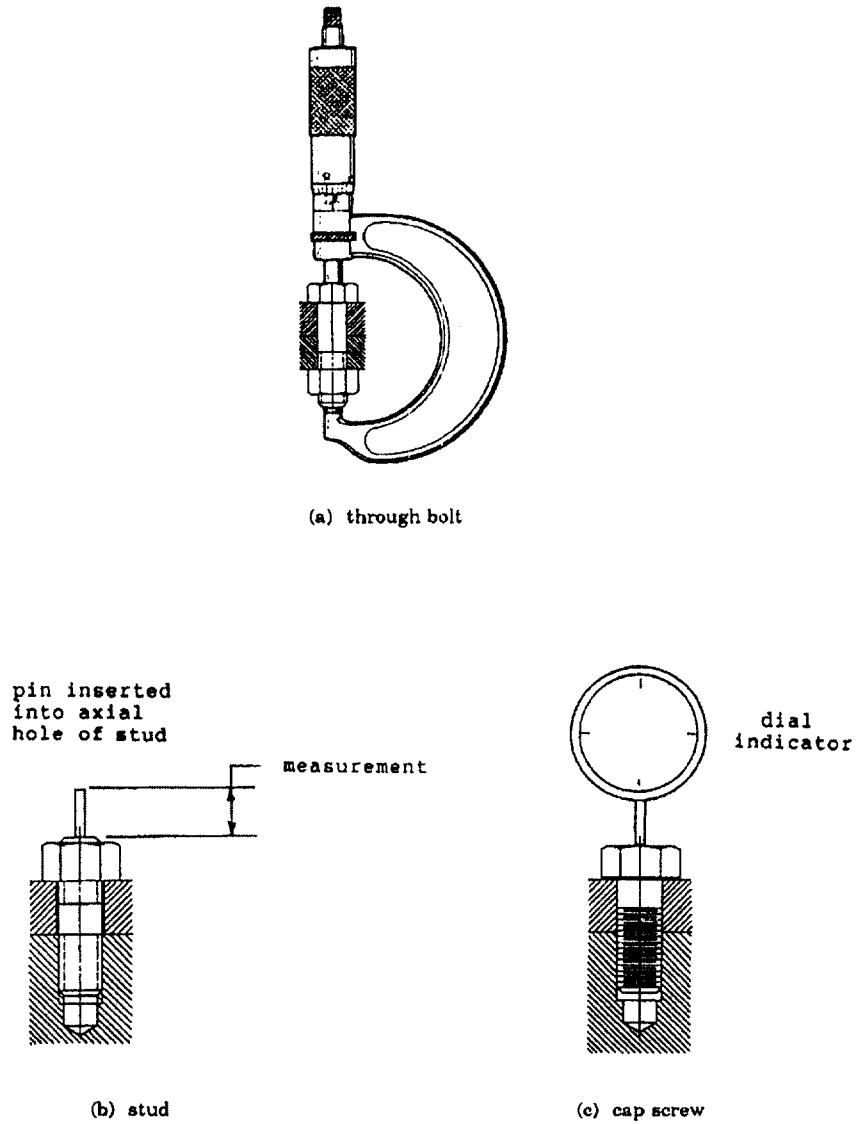


Figure 075-4-2. Measuring the Stretch.

Table 075-4-3. THREAD LUBRICANTS

Lubricant	Application or Service	Limitations, Prohibitions
Molykote P-37 paste per CID A-A-59004, Anti-Galling Compound, Thread Lubricating, Seizing Resistant, and Calcium Hydroxide Containing	Thread lubricant to reduce friction and galling. Areas where fastener will be immersed in water or subject to regular wetting or splashing.	Should not be used above 1000°F on low-alloy and carbon steels or above 670°F in all other applications. Standard substitute for red lead and graphite in mineral oil.
MIL-A-907 (Note 1) Copper Based (FEL-PRO C5-A) or Nickel Based (NEVER-SEEZ PURE NICKEL) Anti-seize compound	High temperature (Up to 1050°F), Steel nuts and bolts of super-heated steam systems.	Not to be used with stainless steels above 250°F.  Not to be used in air systems.

**Table 075-4-3. THREAD LUBRICANTS - Continued**

<b>Lubricant</b>	<b>Application or Service</b>	<b>Limitations, Prohibitions</b>
FEL-PRO C5-A (MIL-A-907) (Note 1) High temperature, Anti-seize compound	Thread lubricant to reduce friction and galling.  Class 5 Fits (Driven End Only) Monel and K-Monel	Not to be used with stainless steels above 250°F  Not to be used in air systems.
MOLYKOTE M-77 or C	Monel and K-Monel	Not to be used in air systems or fasteners with class 5 fits. See Note 2.
MIL-S-8660 (Silicon compound) mixed with MIL-M-7866 molybdenum disulfide powder	Lubrication of threads on recompression chambers and systems using air oxygen and other gases	See Note 2.
DOD-L-24574 Lubricating fluid for low and high pressure oxidizing gas mixtures	Same as above.	Type I-50 to 32°F  Type II-to 104°F Type III-68 to 158°F
MIL-G-27617 Grease, Aircraft, and Instrument, Fuel & Oxidizer Resistant	Same as above.	Type I-65 to 300°F  Type II-40 to 400°F Type III-30 to 400°F Type IV-100 to 400°F
MIL-L-24478 Lubricant, Molybdenum Disulfide in Isopropanol	Thread lubricant to reduce friction and galling in applications having limited clearances and where control of impurities is required.	Not to be used on stainless steels or chrome-nickel alloy 17-4 or at temperatures above 650°F. See Note 2.
MIL-T-22361 Thread compound, anti-seize, zinc dust-petrolatum	For use with components where a fastener is threaded directly into aluminum or its alloys without use of an insert.	Hardens under low temperature conditions and is hard to apply. Not suitable for optical instruments.
MIL-L-24131 Lubricant, Colloidal Graphite In Isopropanol	Thread lubricant to reduce friction and galling where lead or sulfur contamination cannot be tolerated.	Not a preferred lubricant where preload is established by torque on a nut or screw. See Note 3 for restrictions.
<p><b>NOTES:</b></p> <p>1. MIL-A-907, Anti-seize Thread Compound, High Temperature, is being revised. Also, there is no product qualified to the current specification and QPL-907-44 has been canceled. However, thread lubricants manufactured to MIL-A-907, other than those listed above, may be used, on a case by case basis, with the approval of NAVAL SEA SYSTEMS COMMAND, CODE 05M3.</p> <p>2. Thread lubricants containing molybdenum disulfide shall not be used in areas where the fastener will be immersed in the water or regularly wetted or splashed with water. Bacteria in the water causes the molybdenum disulfide to break-down to form compounds (especially sulfur) which attack the fastener.</p> <p>3. MIL-L-24131 should not be used on (1) Nickel-Chrome-Iron alloys (Inconel) above 1200°F, (2) stainless steels, low-alloy, and carbon steels above 1000°F, and (3) Nickel-copper alloys (Monel and K-monel), and chrome nickel alloy 17-4 PH above 670°F.</p>		

**Table 075-4-4. THREAD LUBRICANT NATIONAL STOCK NUMBERS**

Lubricant	National Stock Number	Size Container
Molykote P-37 paste per CID A-A-59004, Anti-Galling Compound, Thread Lubricating, Seizing Resistant, and Calcium Hydroxide Containing	9150-01-446-2164	18 ounce can
FEL-PRO C5-A (P/N 51008)	8030-00-597-5367	2-1/2 pound can
MIL-M-7866 (molybdenum disulfide)	6810-00-816-1025	Ten ounce bottle
	6810-00-264-6715	One pound can
MIL-S-8660 (silicon compound)	6850-00-880-7616	Eight ounce tube
	6850-00-295-7685	Ten pound can
MIL-T-22361 (zinc dust and petrolatum)	8030-00-292-1102	Eight ounce tube
MIL-L-24131 (colloidal graphite in isopropanol)	9150-00-926-8963	Two ounce bottle with applicator
	9150-01-304-6633	Two ounce bottle
MIL-L-24478 (molybdenum disulfide in isopropanol)	9150-00-424-3224 <sub>1</sub>  NSN is for kit requiring mixing of components. The specification now provides for pre-mixed lubricant. For nuclear propulsion plant applications, NSN's for the premixed lubricant have been assigned. (See standard lubricant allowance equipage list in Q-COSAL).	
DOD-L-24574, Type I	9150-01-101-8834	One quart plastic bottle
DOD-L-24574, Type II	9150-01-101-8835	One quart plastic bottle
DOD-L-24574, Type III	9150-01-101-8836	One quart plastic bottle
MIL-G-27617, Type I (grease)	9150-01-007-4384	Eight ounce tube
	9150-01-311-9771	One pound package
MIL-G-27617, Type II (grease)	9150-01-088-0498	Two ounce tube
MIL-G-27617, Type III (grease)	9150-00-961-8995	Eight ounce tube
MIL-G-27617, Type IV (grease)	9150-01-353-5788	One pound jar
MOLYKOTE M-77 or G (Silicone fluid and molybdenum disulfide powder)	9150-01-112-7052	One pound can
NOTE:		
1. NSN 9155-00-424-3224 is scheduled for elimination. When existing stock is depleted no more will be ordered.		

### CAUTION

**For systems and equipment in nuclear propulsion plants, except high pressure air systems, only molybdenum disulfide in isopropanol per MIL-L-24478, anti-galling compound per CID A-A-59004, and graphite in isopropanol per MIL-L-24131 (Military Symbol CGI) are to be used unless otherwise specifically identified on applicable technical documentation. In nuclear propulsion plants, only graphite in isopropanol per MIL-L-24131 (Military Symbol CGI) may be used in applications where the lubricant can potentially contaminate primary coolant.**

## 075-4.7 SPECIAL CASES

075-4.7.1 Preloading Multi-Jackbolt Tensioners (MJBTs). (MJBTs) require special preloading procedures. Refer to the manufacturer's documentation or use the following procedure.

075-4.7.1.1 Before Tightening Preparations. Perform the following steps before tightening MJBTs:

- a. Determine the target jackbolt torque. Use the torque listed on the MJBT installation drawing or consult NAVSEA for the proper torque.

### NOTE

The jackbolt torque value stamped on the tensioner is a standard value for that part and may not be correct for your application. Do not use this torque.

- b. Confirm that the jackbolts are lubricated.
- c. Make sure the jackbolt tips are flush with the bottom of the nut body, or slightly recessed.
- d. Lubricate the main stud thread.
- e. Slide the hardened washer onto the stud.
- f. Lubricate the washer face or jackbolt tips.

075-4.7.1.2 Tightening Sequence. Follow these steps to tighten an MJBT. See figure [075-4-3](#) and figure [075-4-4](#) for fastener tightening pattern guidance.

- a. Spin the tensioner onto the main thread until it seats against the hardened washer, then back off the tensioner about 1/16 to 1/8 inch. Do this for each MJBT on each bolt to be pre-loaded.
- b. Tighten four (4) jackbolts on a tensioner nut at 90° apart (1200, 0600, 0900, 0300) with a partial torque (30% to 70% of full torque). Repeat this for all bolts to be pre-loaded.
- c. Tighten four (4) jackbolts on a tensioner nut at 90° apart (1200, 0600, 0900, 0300) with a full (100%) torque. Repeat this for all bolts to be pre-loaded.
- d. Tighten all jackbolts on a tensioner nut to 100% torque in a circular pattern. Repeat this for all bolts to be pre-loaded.
- e. Repeat step [d](#) until all jackbolts are "stabilized" (need less than 100 rotation). This usually requires two to four additional passes.

### NOTE

If using air tools to torque jackbolts, switch to a torque wrench when jackbolt rotation is small. Use a torque wrench to stabilize the jackbolts at the target torque.

075-4.7.1.3 Removal Procedure. Follow the appropriate procedure to remove MJBTs.

075-4.7.1.3.1 Removal Procedure for Fasteners in Service at or Below 250°F.

- a. Loosen each jackbolt 1/8 turn in a circular pattern around the tensioner nut. Repeat this for all of the studs on the joint.

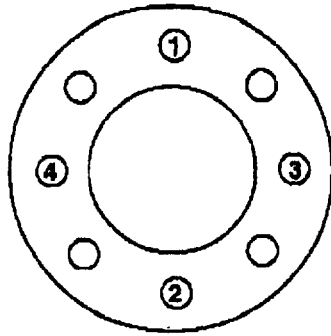
**NOTE**

As you loosen jackbolts around a tensioner and get back to the first jackbolt, it will be tight again. This is normal, do not loosen the first jackbolt again until the next step.

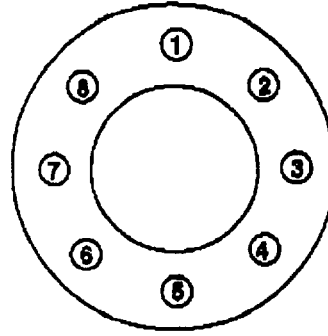
- b. Now loosen each jackbolt 1/4 turn in a circular pattern around the jackbolt. Repeat this for all of the studs on the joint.
- c. Repeat step **b** until all jackbolts are loose.

075-4.7.1.3.2 Removal Procedure for Fasteners in Service Above 250°F.

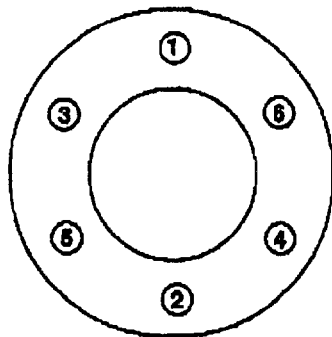
- a. When the equipment has cooled down to about 300°F, soak jackbolts and washer with hydraulic oil and let them sit for at least four hours. If the tensioner is inverted, squirt oil in the gap between the nut body and the washer.
- b. Wait for the tensioner to cool below 200 F. "Crack" each jackbolt only enough to ensure movement in a circular pattern around the tensioner nut. Do not turn the jackbolts beyond the break loose point. Do not begin to unload any fastener until all jackbolts on all fasteners have been "cracked".



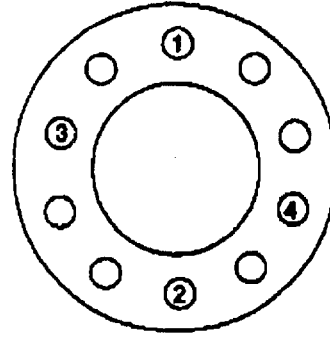
**4, 8, ect. Jackbolt Nuts**  
(1st & 2nd Passes)



**3rd & 4th Passes**  
(Circular Pattern - for all Jackbolt configurations)



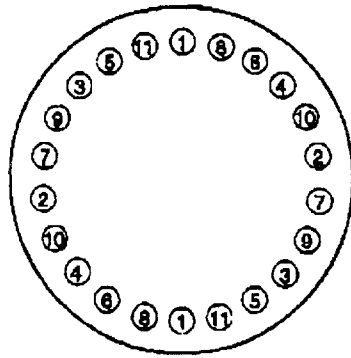
**6 Jackbolt Nuts**  
(Use Star Pattern for 1st and 2nd passes)



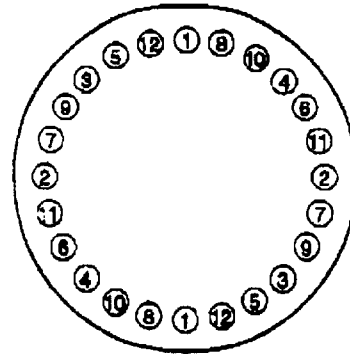
**10-14 Jackbolt Nuts**  
(Pick the Jackbolts nearest 9 & 3 for first 2 passes)

Torque Pass	Target Torque	Tolerance	Pattern
1	50%	30%-70%	Select Jackbolts
2	100%	90-110%	Select Jackbolts
3	100%	90-110%	Circle
4	100%	100%	Circle

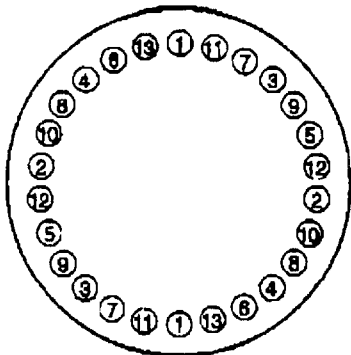
Figure 075-4-3. Multi-Jackbolt Tensioner Jackbolt Tightening Sequences, 14 or Fewer Jackbolts



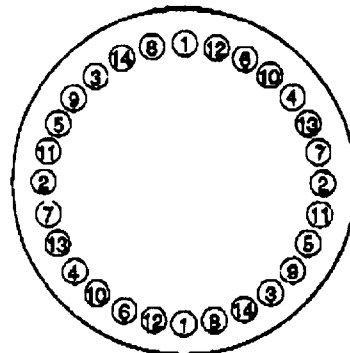
**22 BOLT FLANGE**



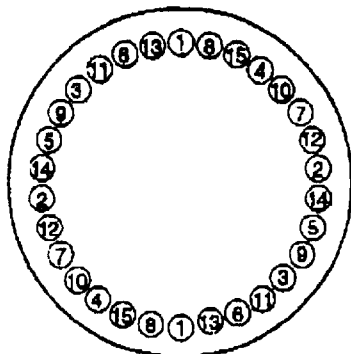
**24 BOLT FLANGE**



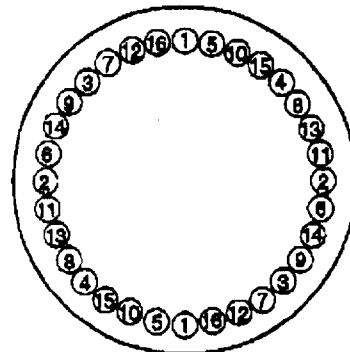
**26 BOLT FLANGE**



**28 BOLT FLANGE**



**30 BOLT FLANGE**



**32 BOLT FLANGE**

Figure 075-4-4. Multi-Jackbolt Tensioner Jackbolt Tightening Sequences, 22 or More Jackbolts



## SECTION 5

### THREADED FASTENER LOCKING

#### 075-5.1 GENERAL

075-5.1.1 **THREADED FASTENER LOOSENING.** Threaded fasteners tend to loosen in service unless precautions are taken in the design of the bolted joint and precautions are taken during installation of the fasteners. Fastener loosening is usually caused either by vibration or by mechanical or thermal load cycling. The mechanisms that cause loosening under both these conditions are complex and beyond the scope of this manual. Knowledge of the basic principles involved, however, can help reduce the number of casualties caused by loosening of improperly installed fasteners.

075-5.1.2 **VIBRATION.** Vibration is the most frequent cause of fastener loosening. A screw thread, of course, is nothing more than a wedge or inclined plane wrapped around the shaft of a bolt. Just as a wedge can be loosened by shaking or vibrating it from side to side, a nut and bolt will move relative to each other and loosen if the vibration is severe enough, or the joint design or assembly weak enough, for the parts to move.

075-5.1.3 **LOAD CYCLING.** Loosening of threaded fasteners due to load cycling is similar to loosening due to vibration except that the mechanism that causes the relative motion is different. In addition to the slope of the thread as it spirals around the bolt shaft, there is a slope to the thread in the radial or outward direction. As a nut is tightened on a bolt, the taper of both threads tends to expand the nut. Both the threads tend to bend slightly. If, after a nut is tightened, the loads on the joint change enough to cause the forces that act on the bolt to change significantly, the nut will expand and contract radially with the cycling of the load. In addition, both threads will bend up and down. These movements are very small, but they are enough to cause relative sliding between the nut, bolt, and bearing surfaces. Just as with vibration, this will cause fastener to loosen as the wedge of the threads moves back and forth.

075-5.1.4 Remember that, in general, the first objective of locking a fastener is to preserve the fastener preload. Sometimes, however, preload is not required, and sometimes, as in the pivot joints of pipe hanger legs, it is prohibited. In these cases preventing the loss of the fastener and subsequent self-disassembly of the joint becomes the objective. In all of these cases simply locking a nut onto a stud is not enough by itself; the stud must also be locked into its tapped hole. Likewise, in a nut and bolt assembly, locking the nut to its bearing surface is not enough; the bolt must also be prevented from rotating relative to the nut.

075-5.1.5 Four basic techniques are used to prevent threaded fasteners from loosening in service: preload, prevailing torque, mechanical, and chemical. The proper method for each application will be as specified on applicable technical documentation (drawing, technical manuals, etc.).

#### 075-5.2 PRELOAD METHOD

075-5.2.1 The first line of defense against the loosening of threaded fasteners in service is to tighten them properly at installation. This may sound overly simplistic, but it is probably the least understood and least often satisfied requirement in fastener installation. Properly preloading a fastener all but eliminates the tendency of all the fastener components, studs, nuts, and bolts, to rotate relative to each other.

075-5.2.2 Many otherwise competent mechanics seem to consider it degrading to resort to the use of a torque wrench to tighten a nut. This feeling is unjustified, because taking the time to apply the proper torque is a mark of an experienced craftsman. Extensive studies have shown that the only size nuts the average mechanic will properly tighten by feel are 1/2 and 5/8 inch. Smaller ones will be overtightened, many partially yielded, and larger ones undertightened.

075-5.2.3 With the exception of some unusual situations, a fastener that is tightened so that its clamping force (preload) is greater than any load that it meets in service will not loosen in service. Section 4 discusses preload and proper tightening in detail, and gives recommended torque values for applications where equipment manufacturer's data are unavailable.

### **075-5.3 PREVAILING TORQUE (SELF-LOCKING NUT) METHOD**

075-5.3.1 GENERAL. For those unusual situations mentioned above, or where high clamping forces are not desired, such as for linkages using clevises or pipe hanger clamps, prevailing torque devices work well. These are commonly referred to as self-locking nuts. There are as many different types as there are manufacturers. However, the various types can be grouped into two categories: those that generate pressure between the threads of the nut and bolt in a way that permits frequent removal, and those that cause some thread deformation and therefore should only be used where frequent removal is unnecessary. Always keep in mind that simply using a self-locking nut on a stud does little good if the stud itself is not also locked into its threaded hole.

075-5.3.2 REUSABLE SELF-LOCKING FASTENERS. Several groups of self-locking fasteners are considered reusable. These consist of the family of plastic ring and plastic insert nuts and bolts, and spring beam nuts.

075-5.3.2.1 Plastic Ring and Insert Fasteners. The most widely used self-locking fasteners belong to the family of plastic ring nuts and plastic insert nuts and bolts.

075-5.3.2.1.1 Plastic Ring and Insert Temperature Limits. Two types of plastic are in common use in these fasteners, polyamide and polyimide. Polyamide (nylon) can be used at sustained temperatures up to 250°F, polyimide (Vespel) is good up to 450°F. It is difficult to determine which one of these plastic materials you have just by looking at them. The nylon inserts tend to be a light color, white or light green bordering on translucent, while the vespel tends toward red, brown, or even black. The high temperature Vespel (polyimide) is also much harder than the lower temperature Nylon (polyamide). If you can determine the manufacturer, then you can usually contact the manufacturer and identify the insert by its color.

075-5.3.2.1.2 Reusing Plastic Ring and Insert Fasteners. Before reusing either the plastic ring or the insert fasteners, check the condition of the plastic and the breakaway torque of the assembly. If the plastic is worn or torn, discard the fastener. If the plastic is in good condition, lubricate the threads and assemble the fastener until the locking element is fully engaged. Check the breakaway torque required to start removal rotation of the fastener with no axial load on it. New self-locking nuts manufactured to NASM25027 should comply with the minimum breakaway torque values listed in Table 075-5-1. If the breakaway torque is less than that specified in Table 075-5-1 and no other guidance is available, discard the fastener and use a new one. These fasteners are usually good for approximately 15 reinstallations.

075-5.3.2.1.3 Plastic Ring Nuts. One of the more common self-locking devices is the family of plastic ring nuts (Figure 075-5-1), which deform their plastic inserts when they are installed. These are usually referred to as elastic stop nuts. At installation the resilient plastic material is forced to assume the shape of the mating threads, cre-

ating large frictional forces that resist rotation of the nut on the bolt. The part standards listed in Figure 075-5-1 for plastic ring nuts frequently used aboard ship are listed in NASM25027, Nut, Self-Locking, 250 Degrees F, 450 Degrees F, and 800 Degrees F-FSC 5310. Self-locking nuts whose breakaway torque is less than that shown in Table 075-5-1 shall not be reused.

#### NOTE

Elastic stop nuts may require a longer bolt than do standard nuts; the elastic stop nut is thicker because of the addition of a plastic locking ring, and as a minimum the male thread shall protrude or at least be flush with locking element.

075-5.3.2.1.4 Plastic Insert Bolts and Nuts. A variation on the plastic ring nut is the plastic plug or pill. A hole or groove is machined in the side of the bolt or nut. Plastic plugs, which do not extend completely around the circumference of the fastener, are then inserted into the machined openings. As with the plastic ring nuts, these inserts deform at installation, forcing the nut to one side, thereby creating the antirotation friction force. Once the fastener is tightened, however, it tends to center itself. This centering causes some motion between the nut and bolt, especially if the fastener is not completely preloaded, making this type less effective than the plastic ring nuts. This type of fastener and its specifications are described in MIL-DTL-18240, Fastener Element, Self-Locking, Threaded Fastener, 250°F Maximum. See Figure 075-5-2. Self-locking fasteners with a breakaway torque less than that in Table 075-5-1 shall be replaced.

**Table 075-5-1. PLASTIC RING AND INSERT FASTENER BREAKAWAY TORQUE**

Nominal Thread Size, Inch	Minimum Breakaway Torque, in-lb
#2 (0.068)	*
#4 (0.112)	*
#5 (0.125)	*
#6 (0.138)	*
#8 (0.164)	*
#10 (0.190)	1.0
#12 (0.216)	1.0
1/4	1.5
5/16	2.5
3/8	4.0
7/16	5.0
1/2	7.5
9/16	10.0
5/8	12.5
3/4	20.0
7/8	30.0
1	40.0
1-1/8	50.0
1-1/4	60.0
1-3/8	70.0
1-1/2	90.0
1-3/4	100.0
2	120.0
2-1/4	140.0

**Table 075-5-1. PLASTIC RING AND INSERT FASTENER BREAKAWAY**

TORQUE - Continued

Nominal Thread Size, Inch	Minimum Breakaway Torque, in-lb
2-1/2	165.0
* Must have some indication of torque increase as locking feature comes in contact with bolt.	

075-5.3.2.2 Reusable Metal (Spring Beam) Self-Locking Nuts. Spring beam (spring finger) nuts come in various shapes, although all are similar to that shown in Figure 075-5-3. This type of nut has thin slots cut down through the top few threads with the resulting fingers effectively bent inward. They appear similar to castellated nuts except that the cuts are much narrower. At installation, the bolt springs the fingers out, with the resulting spring action causing fingers to grip the bolt with a prevailing torque, even when the nut and bolt assembly is loose in its hole (not exerting any clamping force). The following part standards for reusable metal self-locking nuts are listed in NASM25027:

MS21045	Nut, Self-Locking, Hexagon-Regular Height, 450°F, 125 KSI Ft <sub>u</sub>
MS21046	Nut, Self-Locking, Hexagon-Regular Height, 800°F, 125 KSI Ft <sub>u</sub>

075-5.3.2.2.1 Metal Self-Locking Nut Temperature Limits. Corrosion-resistant steel self-locking nuts are available for applications up to 800°F (NASM25027).

Standard	Title-Material
MS16228	Nut, Self-Locking, Hexagon, Thin, UNC 3B (Nonmetallic Insert) Austenitic, Corrosion-Resistant Steel, Nonmagnetic, 250°F
MS17828	Nut, Self-Locking, Hexagon, Regular Height, Nonmetallic Insert, 250°F, Nickel Copper Alloy
MS17829	Nut, Self-Locking, Hexagon, Regular Height, Nonmetallic Insert, 250°F, Noncorrosion-Resistant Steel
MS17830	Nut, Self-Locking, Hexagon, Regular Height, Nonmetallic Insert, 250°F, 300 Series Corrosion-Resistant Steel
MS21044	Nut, Self-Locking, Hexagon, Regular Height, 250°F, 125 ksi Ft <sub>u</sub> and 60 ksi Ft <sub>u</sub> (Aluminum, Steel, Brass & CRES)
MS21083	Nut, Self-Locking, Hexagon, Nonmetallic Insert, Low Height, 250°F (Aluminum, Steel, Brass & CRES)
MIL-N-25027/1	Nut, Self-Locking, Heavy Hex, (Non-Metallic Insert) 250°F and 450°F, UNJC-3B, 1/4 Through 2-1/12 Inch Nominal Diameters, Nickel-Copper Alloy

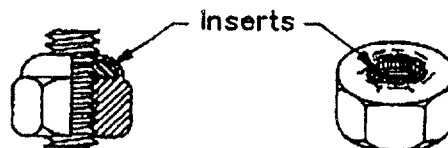


Figure 075-5-1. Plastic Ring Nuts.

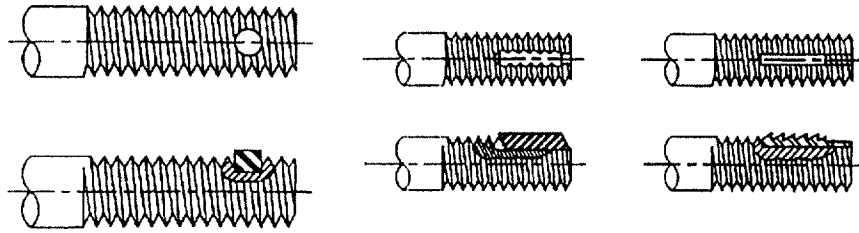


Figure 075-5-2. Types of Self-Locking Bolts.

075-5.3.2.2.2 Reusing Metal Self-Locking Fasteners. Reusable metal self-locking fasteners work well when first installed and can usually be reused 15 times. When they are repeatedly removed and reinstalled, however, they tend to lose their grip and eventually become ineffective. Check the amount of breakaway torque required to start rotation of the nut, using a torque wrench. Check this value against the specified torque (or compare it with the data in Table 075-5-1 if no other guidance is available). If the breakaway torque is below allowable torque limits, replace the nut.

**WARNING**

**Do not use these nuts on studs unless the studs can be easily replaced.**

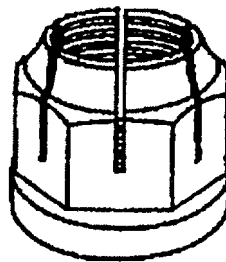


Figure 075-5-3. Spring Beam Nut.

075-5.3.3 NONREUSABLE SELF-LOCKING FASTENERS. Non-reusable self-locking fasteners are usually of the metal distorted thread or distorted collar type. In this fastener, some of the threads or the collar are distorted. At installation, the distortions are bent back into alignment. Most of this bending is elastic, like a spring, and the spring force keeps the threads tight. Some of the bending results in permanent deformation, however, of either or both the nut and the bolt threads. As a result, the number of times these nuts can be reused, if any, is limited. Since parts of the fastener are being deformed, if either high or low prevailing torque is experienced, replace the nut or the bolt or both. Carefully clean the threads on both the nut and the bolt and lubricate them before assembly, as some metals tend to gall when used with this type of nut (refer to Table 075-4-3).

075-5.3.3.1 Distorted Collar Nuts. Distorted collar nuts (Figure 075-5-4) either have an oval steel collar insert or a collar formed with a rounded triangular opening. As the nut is threaded on, the bolt forces the nut or collar back into round. The spring properties of the nut cause it to try to return to its distorted shape, creating high frictional forces between the nut and the bolt. These nuts are not commonly used on board ship. However, they may be found in high temperature components where plastic locking elements cannot be used or in specialized components as part of a positioning device.

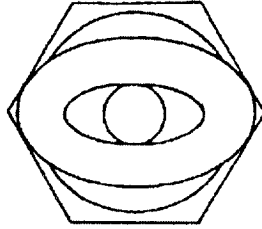


Figure 075-5-4. Distorted Collar Nuts.

075-5.3.3.2 Distorted Thread Nuts. Distorted thread nuts are made either with depressions on the face of the nut, which distort a few of the top threads locally, or depressions in the center of three of the wrench flats, which distort some of the threads in the center of the nut. In both designs, threading the nut on the bolt forces the threads back into round. As in the distorted collar nuts, the spring properties of the nut cause it to try to return to its distorted shape, creating high frictional forces between the nut and the bolt. Similar to the distorted collar nuts above, these nuts are not commonly found on board ship. They may also be found in high temperature components where plastic locking elements cannot be used or in specialized components as part of a positioning device.

075-5.3.4 JAM NUTS (LOCK NUTS). Jam nuts are an older variation of the prevailing torque concept. They are not usually recommended for new installations due to the tendency to use an improper thickness for the jam nut and to install them in the wrong relative positions.

075-5.3.4.1 Jam Nut Assembly. The jam nut assembly requires a regular or main nut and a thin jam nut, as shown in Figure 075-5-5. The assembly is installed with the thinner nut between the thick nut and the bearing surface. The main nut has to be as thick as if no jam nut were being used, because the main nut carries all the working load. The jam nut is usually about  $2/3$  as thick as the main nut. If the jam nut is too thin, however, the threads in the jam nut area will be damaged as the main nut will pull the bolt threads partially through the jam nut. Conversely, if the jam nut is too thick, the main nut cannot distort the threads enough.

075-5.3.4.2 Tightening the Jam Nut. At assembly, first tighten the jam nut to the same or slightly less percentage of the preload torque specified for the main nut, based on the relation the jam nut thickness bears to the thickness of the main nut. Then hold it in position with a wrench while you tighten the main nut. For example, if the jam nut is  $2/3$  as thick as the nut, tighten the jam nut to  $1/2$  to  $2/3$  of the torque used for the main nut. Then, when the main nut is tightened to the preload torque specified for the bolt, it stretches the bolt (stud), thereby tending to pull it through the jam nut. Any vibration or load that tends to loosen the bolted joint will allow the bolt to shrink back to its original length, leaving the jam nut tight against the main nut. This creates the necessary prevailing torque to prevent the jam or main nut assembly from rotating on the bolt.

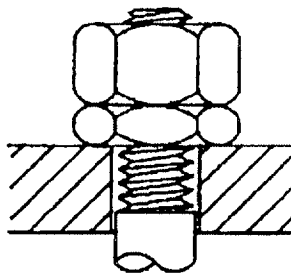


Figure 075-5-5. Jam Nut Assembly.

075-5.3.5 SETSCREWS. Setscrews are seldom used in the U.S. Navy to lock threads. Setscrews can be used in a variety of ways to lock threads (see Figure 075-5-6). A setscrew can:

- a. Jam a plug of softer material (plastic, copper, or lead) against the threads to be locked.
- b. Be installed between the nut and a stationary member, physically restricting the nut from turning.

- c. Be installed in a threaded hole drilled axially at the junction of the mating threads, physically restricting the nut from turning on the bolt.

### NOTE

Setscrew thread locking methods b and c are not recommended for applications where the fastener is highly loaded, as the nut is significantly weakened by the extra hole. The use of setscrews also tends to create another problem, because now you have to find a way to lock the setscrew.

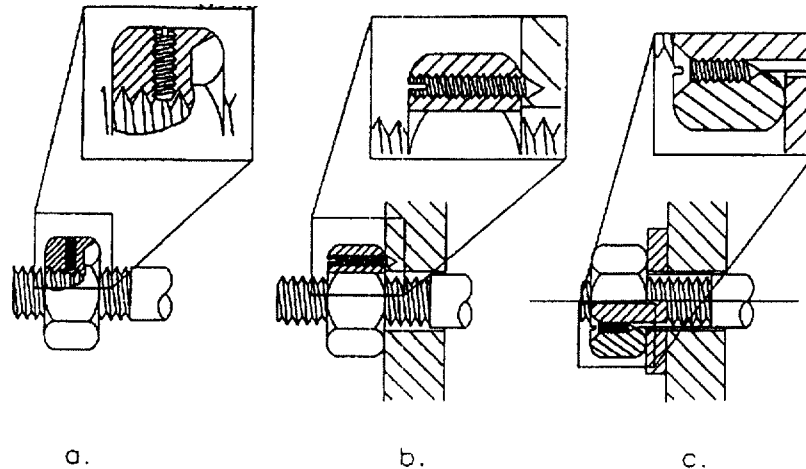


Figure 075-5-6. Setscrews.

## 075-5.4 MECHANICAL METHOD

**075-5.4.1 GENERAL.** Mechanical locking devices come in a wide variety of designs, but they fall into one of three basic types: pins, wires, or tabs. Generally, these devices work well where the objective is to prevent total disassembly of the joint. Where the objective is to maintain a specified fastener preload, however, they have their drawbacks. Cotter pins and lock wires do limit rotation of the fastener to 2 or 3 degrees; however, it only takes 2 degrees of rotation for a hard joint to lose 25 percent of the preload, and 6 degrees to lose 40 percent of the preload. A second problem with cotter pins and lockwire is that they are not very strong, especially lock wire. It takes only a few foot-pounds of torque to shear a lock wire and only slightly more for cotter pins. Driven pins and tabs also have their problems, which are discussed in the applicable sections. The information below describes the various mechanical methods for locking fasteners that you may encounter aboard ship. Use these methods only where specified on equipment drawings or in equipment technical manuals.

**075-5.4.2 PINS.** Various types of pins have been designed to prevent nuts from rotating on bolts. They are used in one of three ways: (1) with castellated nuts, (2) in holes drilled through the body of the nut (using an extra tall nut and drilling the hole in the center of a wrench flat) and through the bolt, and (3) through the bolt at a point beyond the nut.

**075-5.4.2.1 Cotter Pins.** Cotter pins (cotter keys) are used with castellated nuts and installed as shown in Figure 075-5-7. Cotter pins may be found in the Afloat Shopping Guide under Federal Supply Class 5315.

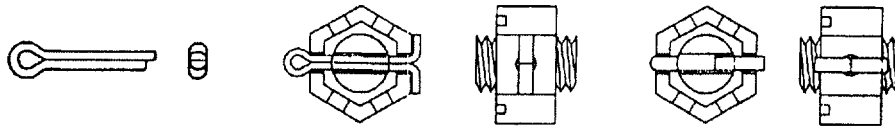


Figure 075-5-7. Cotter Pin

### CAUTION

**When cutting off excess lengths of cotter pins, be careful to keep the cut end from getting into open machinery or flying out and injuring personnel. Hold the end with suitable pliers while it is being cut or, if you are careful not to let the cut end fall out of the orange, hold a rag over the end while you are cutting it.**

075-5.4.2.1.1 Installing Cotter Pins. Cotter pins are usually installed with the long end of the pin on the side toward the end of the bolt and the head of the cotter pin resting in the slot in a castellated nut. The long end of the pin is bent up and back over the end of the bolt. The remaining end is then cut to a suitable length and bent down over the flat of the nut. Where an interference or safety problem exists, the cotter pin can be rotated 90 degrees with its head outside of the slot in the nut and the ends bent back around the sides of the nut. An additional option is to install the cotter pin with its head in a slot, grip the ends of the pin with a plier, twist the end 90 degrees so that the twist is distributed over the length of the pin, and then bend the ends back around the nut.

075-5.4.2.1.2 Installation Problems. Two primary difficulties are associated with using cotter pins and castellated nuts. First, it is often difficult to torque the nut properly and get the holes to line up at the same time. This often requires trying several different nuts until one fits. Second, when using a new, undrilled bolt, it is difficult to drill a hole in the bolt with the fastener installed, especially with high-strength bolts that are hardened. The hole must be centered and drilled at right angles to the bolt centerline. Also, the drill chips must be kept out of any open sections of machinery. It is also very difficult to properly mark the hole's location with the fastener properly torqued and then remove the bolt and take it to a shop for drilling. Nevertheless, if the hole cannot be drilled properly with portable drills, or if the drill chips could fall into open machinery, the fastener must be removed for drilling. It is also good practice to break the sharp edges at the ends of the hole in the bolt after drilling.

075-5.4.2.2 Driven Pins. The next two threaded fastener locking methods are rarely used but you may encounter them. These methods consist of driving different types of pins through holes drilled through the fastener. Several different types of drive pins are used. The more common ones being taper pins, grooved taper pins, straight pins, roll-pins, and spiral-pins. These are shown in Figure 075-5-8. Drive pins may be found in the Afloat Shopping Guide under Federal Supply Class 5315.

075-5.4.2.2.1 Drive Pin Through Nut and Bolt. This locking method drives a pin through a hole that has been drilled through the nut and bolt. The same problems exist here as with cotter pins, only more so. Here, the hole has to be drilled with the nut and bolt assembled and properly torqued. Once the joint has been disassembled and then reassembled and properly retorqued, the holes will probably not line up, even if the same nut is back on the same bolt. The only place this process will work is where the nuts need not be tightened significantly or torqued to a specified value, such as in linkage devices. Other locking methods should be considered first, however.

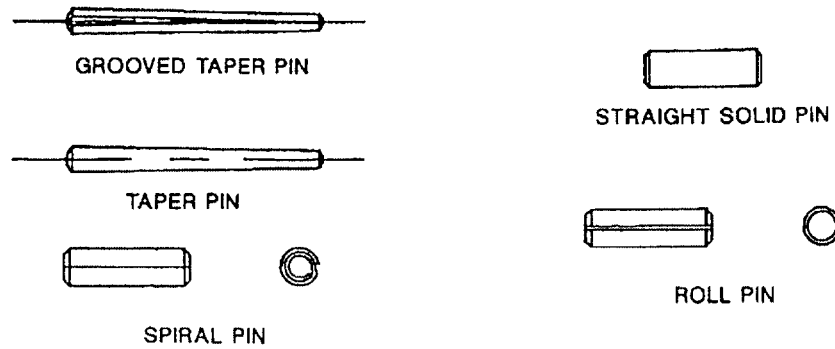


Figure 075-5-8. Types of Drive Pins

075-5.4.2.2.2 Drive Pin Through Bolt Only. This locking method drives the pin through a hole drilled through the bolt beyond the nut. This method is used where a few rotations of the nut can be tolerated but complete loosening of the joint is to be prevented.

075-5.4.2.3 Use of Hardened Drive Pins. Wherever possible use a roll-pin or a spiral-pin. These are hardened pins and will resist shearing better than nonhardened taper or straight pins.

### CAUTION

**Never drive a pin into, bend a tab onto, use staking, peen, or otherwise hammer on any fastener assembly that is supported by a ball, roller, needle, or other rolling element bearing. You wouldn't beat on a ball bearing with a hammer would you? Hammering on a shaft that is supported by ball bearings is the same thing, or maybe worse. The performance of a specially designed quiet ball bearing can easily be ruined and any rolling element bearing damaged by impact forces. If this situation exists, use a self-locking fastener or chemical method that is appropriate for the temperatures involved.**

075-5.4.2.3.1 Installing Roll-Pins and Spiral-Pins. Roll-pin and spiral-pins are driven into straight holes. The pins are slightly larger than a standard drill for the stated size. The pins have a short taper on each end to help start them into the hole. As the pins are driven in, they compress and remain tight until driven out.

075-5.4.2.4 Installing Straight Pins. Straight pins should be driven into interference fit holes; however, it is acceptable to drive them into size-on-size holes (i.e., holes with the same diameter as the pin). In the latter case, either leave the pin too long and peen it over on each end or make it too short and stake it in place at each end.

075-5.4.2.5 Installing Taper Pins. Taper pins must be driven into tapered holes that have been reamed with the proper taper reamer. The taper is the American standard taper of 1/4 inch per foot. The pins are numbered from 0 to 10 to designate their size. The number 0 pin has a large-end diameter of 0.156 inch, the number 10 pin has 0.706 inch. Properly sized and tapered reamers are available with numbers the same as the pin they are to be used with. Drive the taper pin in until it is tight but not so tight as to distort it. The taper is slight enough to wedge the pin firmly in place and prevent it from loosening in service and yet permit it to be driven out when required.

075-5.4.2.6 Aligning Holes for Pins. Where fastener preload torque requirements are specified, they must be met. If you cannot align the locking pinholes within those limits, try other nuts or replace and redrill the entire fastener. Note that only one hole is permitted in a stud or a bolt.

075-5.4.2.7 Substitutions for Pin-Type Locking Devices. Where service has been satisfactory, continue to use the pins. If loosening in service or difficulty in achieving proper preload torque has been a problem, however, replace them with self-locking fasteners. If a self-locking fastener is installed where another fastener is called for, submit a waiver request to document this configuration change.

075-5.4.3 TAB LOCKS. Tab locks (Figure 075-5-9) have a tab bent against one or more of the wrench flats of the nut or bolt to prevent the nut or bolt from turning. You can keep the tab lock itself from turning in a number of ways: You can bend a second tab against a nearby flange or over a nearby edge. Where the equipment permits, you can drill a hole into the adjacent surface and bend a tab into the hole. Where the configuration permits, a tab lock can be made to fit under two adjacent bolts or nuts. You can also use a screw to lock the tab to the adjacent surface, but the screw now has to be locked by some means such as anaerobic thread-locking compound. Special tab locks that lock by means of an internal key slot or flat surface are sometimes used on studs or shafts with key slots or flat sections cut to accept them.

075-5.4.3.1 Installing Tab Locks. Tighten the fastener to the minimum specified torque limit. Stop tightening at this point and check to see if a flat face is presented to the tab. If not, continue to tighten until alignment is reached but not more than the maximum specified torque. Do not bend the tab until you have completed all required retorquing. Never try to bend a tab against a corner. If you cannot make the flat side face the tab, use another nut or bolt. Always torque with clean, lubricated threads and a clean, lubricated nut or bolt face (bearing surface). See paragraph 075-4.6.1 for further guidance concerning lubrication.

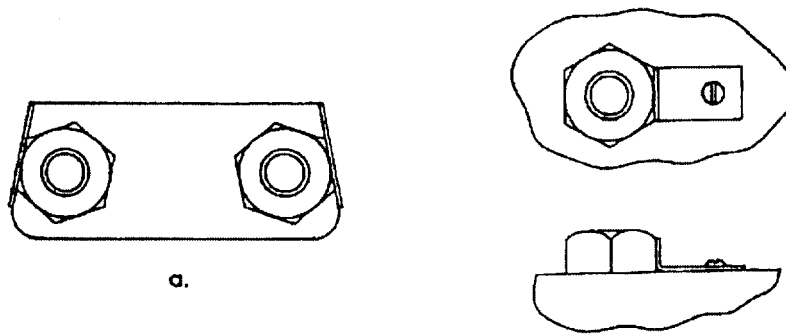


Figure 075-5-9. Tab Locks.

075-5.4.3.2 Tab Bend Radius. Whenever a tab is bent, the outside of the bend radius areas should be inspected for cracks, especially for aluminum tabs. Tabs are not designed for re-bending; therefore, unless multiple tabs are provided or the tab lock is pre-bent and screwed into place, the tab lock should not be reused.

075-5.4.4 STAKING AND PEENING. Avoid staking, peening, center punching, and similar methods of locking threads that distort the threads after assembly. Although these methods may be replaced in kind if loosening has not been a problem, they should always be replaced with self-locking fasteners whenever disassembly is required. This does not apply to straight pins that have been staked or peened in place. If staking or peening is to be used, the screw, stud, or bolt should be staked or peened at two points around the circumference. This allows at least two subsequent removals or reinstallations.

075-5.4.4.1 Staking. Staking usually involves moving material, usually with a center punch, from an adjacent surface against the head of a recessed screw or bolt, or deforming external threads beyond the nut. It also includes various other forms of distorting either the fastener or the adjacent material with punches or chisels in an attempt to lock a fastener.

075-5.4.4.2 Peening. Peening is similar to staking except it usually involves forging the end of a pin or bolt to expand it. In the case of a bolt or stud, it prevents the nut from coming off. However, it may permit some rotation of the nut. In the case of a pin, the ends of the pin are simply expanded so that the pin cannot back out of the hole.

## 075-5.5 SAFETY WIRE METHOD

075-5.5.1 GENERAL. The primary purpose of safety wiring is to prevent complete loss of a fastener. It can also serve as an indicator of whether the fastener has been tampered with. It isn't very effective in preventing minor relative nut and bolt rotation, with a subsequent loss of preload. There are two approved methods for safety wiring fasteners: lockwiring (often called safety wiring) and safety cabling. Many components such as diesel engines, compressors, and gas turbines, still have safety wired fasteners, especially in internal locations. It is effective in preventing complete loss of the fastener. It is, however, an ineffective method for preventing loss of preload, since some rotation can still occur, even with the best of tying techniques. Rotation of only a few degrees can reduce the preload by 50 percent or more. In addition, lockwiring usually uses ductile wire, because it must be bent and twisted. Ductile wire, however, is weak and stretches easily, allowing significant fastener rotation.

075-5.5.1.1 Lockwire. Lock or safety wire is installed by passing single strand, relatively ductile, wire through the drilled holes of adjacent bolt or capscrew heads, or, in the case of studs, through the slots of castellated nuts and the aligned holes in the ends of studs. Safety wire may be used to replace previous existing safety wire. If loose or broken wires or loose fasteners are found at disassembly, however, self-locking fasteners may be installed at reassembly. If a self-locking fastener is installed where safety wire is called for, submit a waiver request to document this configuration change. If no other guidance is provided, install safety wire in accordance with MS33540, **General Practices for Safety Wiring and Cotter Pinning**. Use only safety wire that complies with MS20995, **Safety or Lock Wire**.

075-5.5.1.2 Safety Cable. The safety cable (also called locking cable) method uses a very small corrosion resistant metal cable with an end cap on one end. The cable is passed through two or more fasteners, drawn tight, and a ferrule applied to the free end. The cable is installed in such a way that it tightens as the fastener loosens, preventing the fastener from turning. Using safety cable significantly simplifies and speeds safety wire installation. Safety cable is an authorized substitute for lockwire in all Navy shipboard applications, except Aircraft Launch & Recovery Equipment (ALRE). Safety cable is an authorized substitute for lockwire in all NAVSEA 08 applications per NAVSEA letter Ser 08M/96-08503 of 26 JAN 1996. Additional guidance on using safety cable is provided in MIL-STD-763G para. 3.2.4.3 and SAE AS4536.

075-5.5.2 REWIRING. When rewiring, always use the type of wire specified for the application. Do not use wire that was previously used, except under emergency conditions. Replace used wire as soon as the proper wire is available.

075-5.5.3 TIGHTENING SAFETY WIRED FASTENERS. All torquing operations must be completed before you install the safety wire. Do not loosen or overtorque the fastener to achieve a better wire alignment.

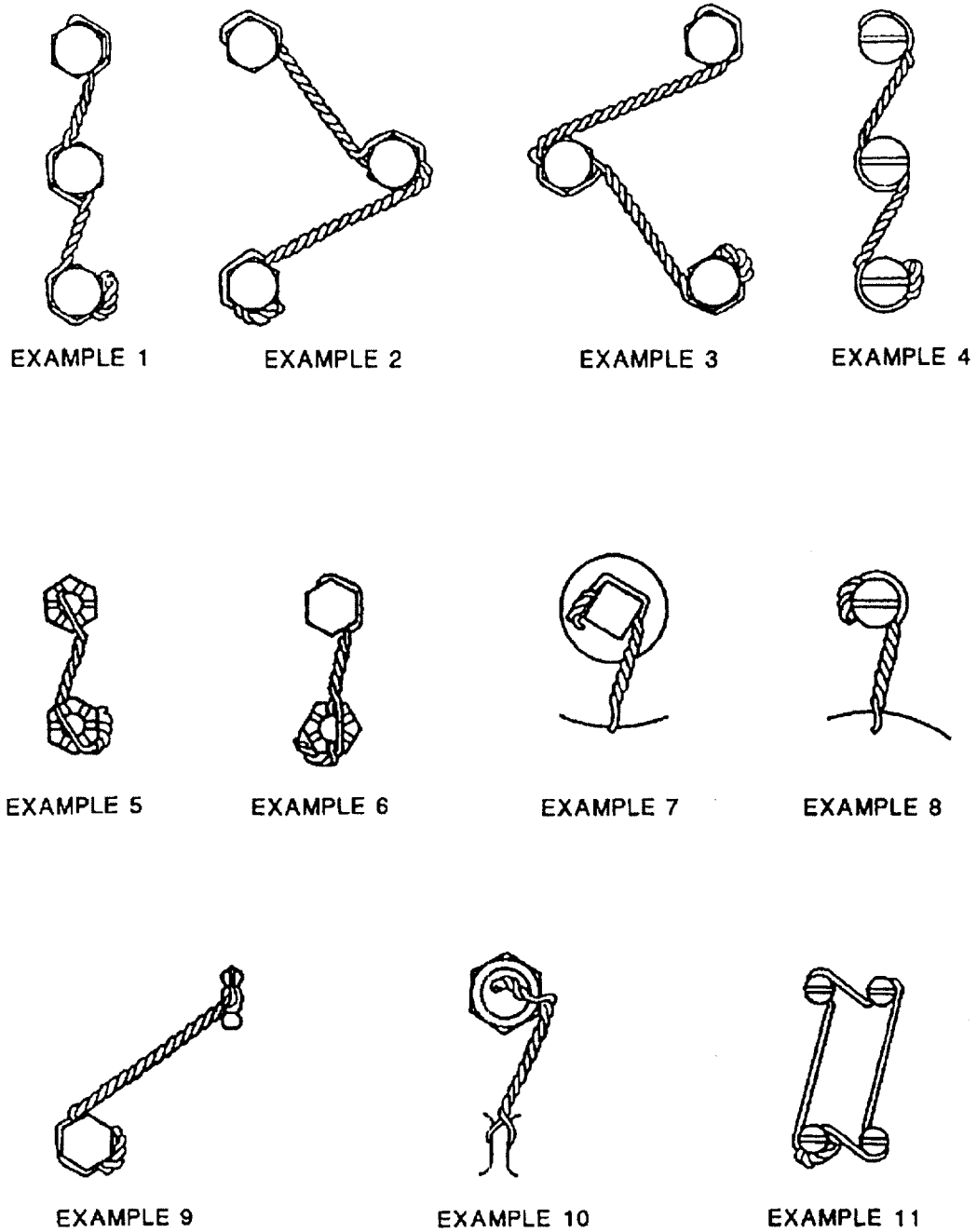


Figure 075-5-10. Lock Wiring Examples

075-5.5.4 SAFETY WIRE INSTALLATION.

075-5.5.4.1 Lockwire Installation. Figure 075-5-10 shows acceptable safety wiring techniques. Additional guidance is provided in MS33540, **General Practices for Safety Wiring and Cotter Pinning**. Cut the excess wire and bend the end toward the nut or part. Projecting ends are a safety hazard.

075-5.5.4.2 Safety Cable Installation. Install safety cable per the following instructions.

**NOTE**

Safety cabling tools and equipment can be procured from either Bergen Cable Technologies, Inc., Gregg St., P.O. Box, 1300 Lodi, NJ 07644 or Daniels Manufacturing Corp., 526 Thorpe Rd. Orlando, FL 32824-8133.

- a. The safety cable system has three components: The safety cable, ferrules and crimping tool. See Figure 075-5-11.
  1. The safety cable is available in one size, 0.032 inch (0.81 mm), and is made of AMS 5689 (321 stainless steel) material. One end of the cable will have a cable end fitting swaged to it. The cable end fitting is made of AMS 5674 (347 stainless steel) or AMS 5689 (321 stainless steel) material. The strands of the cable on the opposite end of the cable are fused together to prevent the cable from fraying.
  2. The ferrules are made of AMS 5674 (347 stainless steel) or AMS 5689 (321 stainless steel) material and are purchased in a spring-loaded, disposable magazine. When the safety cable is installed the ferrule will be crimped on the open end of the cable.
  3. The crimping tool will differ depending on the manufacturer:
    - (1) Bergen Tool The hand operated crimping tool comes in different lengths. The crimping pressure tool is set by the manufacturer. The primary parts of the crimping tool are the crimping head, tensioning wheel, slotted wheel and handles. This tool is used to crimp the ferrule on the end of the safety cable. The crimping tool will cut the safety cable even with the ferrule at the same time the ferrule is crimped.
    - (2) Snap-On Tool The hand operated crimping tool operates in one direction only and has a cycle end dead stop to tell the operator when the ferrule is fully crimped. The crimping pressure of the tool is set by the manufacturer. If necessary, the crimping pressure can be adjusted with standard hand tools. The Snap-On tool has a spring-loaded crimp rod to hold the ferrule in place during the crimping procedure. Cable tension is done automatically by the internal retraction mechanism.
- b. Observe the following rules for safety cabling:
  1. Where possible, install the safety cable so it does not touch other parts.
  2. Make sure the cable is not damaged or bent when you install the safety cable through the holes in the fastener or part. Frayed cable assemblies are not permitted.
  3. Install the safety cable through existing holes only.
  4. Unless specified differently in the equipment manual or installation drawing:
    - (1) The maximum length of the safety cable between safety cabled parts is 6.0 inches (152.4 mm).
    - (2) Do not safety cable more than three bolts with one safety cable.
    - (3) Do not use safety cable on titanium fasteners.

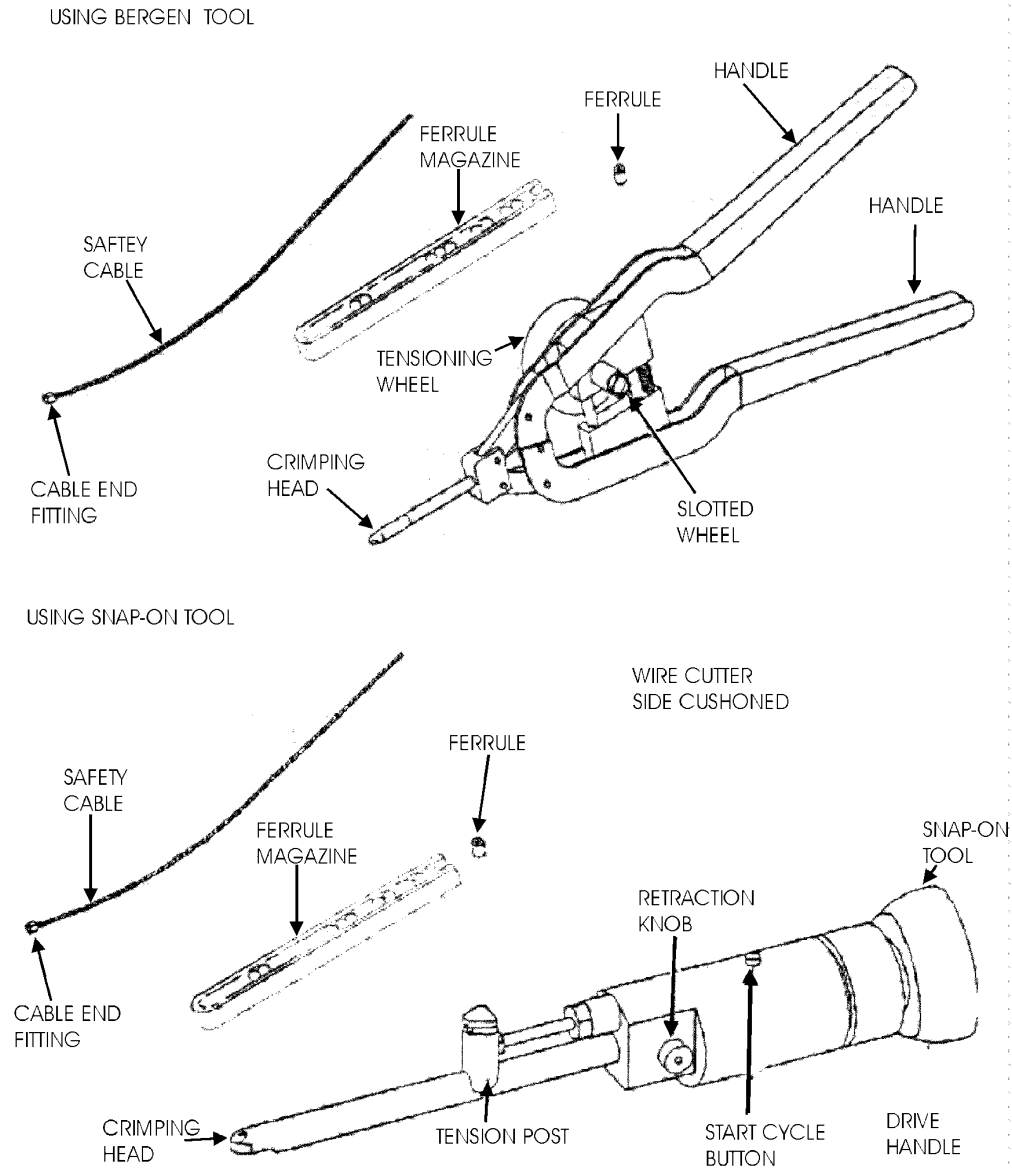


Figure 075-5-11. Safety Cable System Components

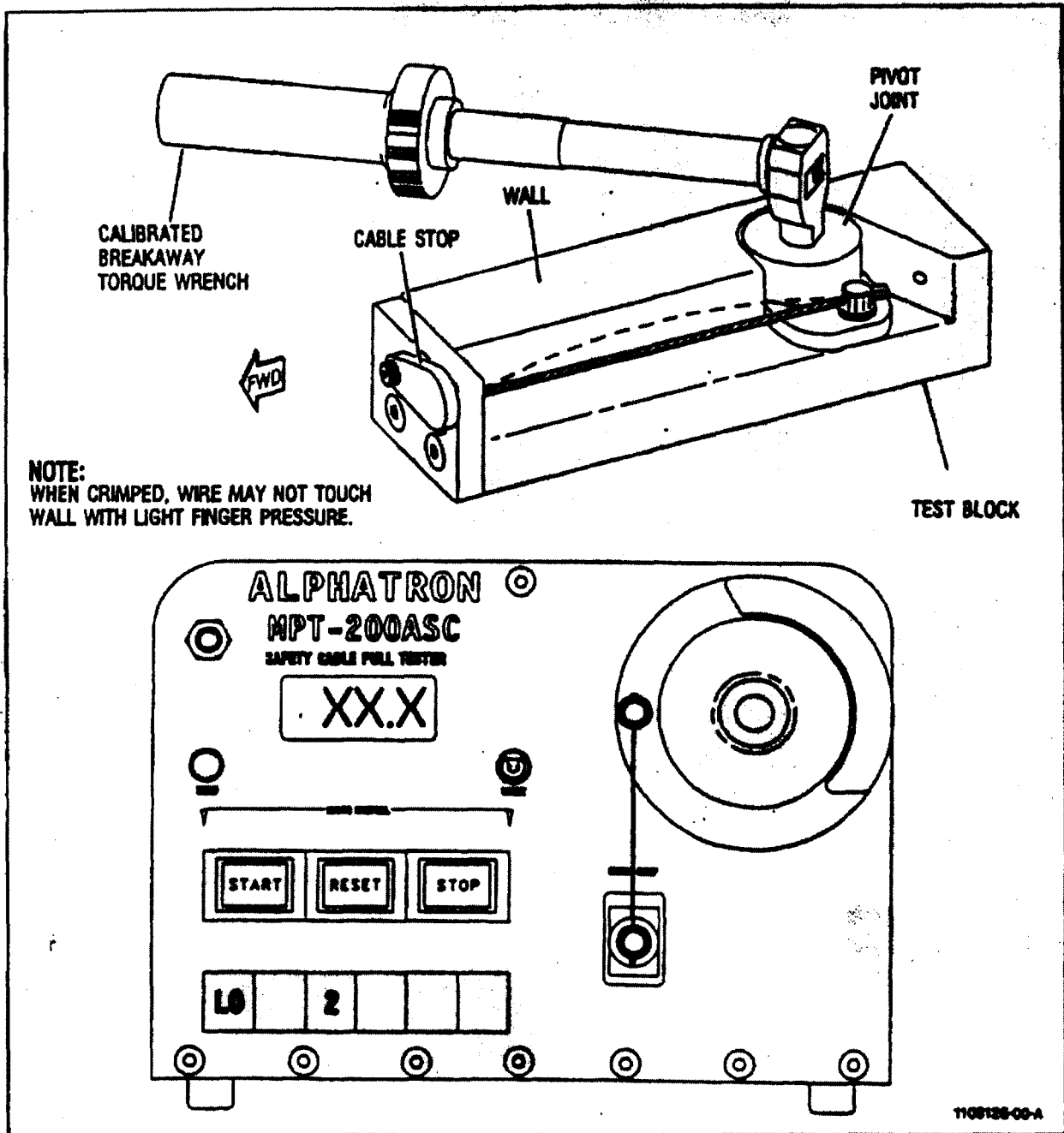


Figure 075-5-12. Crimping Tool Verification Equipment

- c. The crimping tool must undergo a pulloff load test at the beginning, middle, and end of each shift to make sure that the crimp done by the crimping tool meets the necessary requirements. Do the pulloff load test as follows: See Figure [075-5-12](#)
1. If the test block is not already set up, set it up at this time. Refer to the manufacturer's instructions for setup information.
  2. Make sure the pivot joint is in the forward direction.
  3. Move the cable stop at the end of the test block. Install the safety cable through the hole that was covered by the cable stop. Pull the safety cable through the hole in the test block and then put it through the hole in the pivot joint. Pull the cable through the hole in the pivot joint.

4. Put the end of the safety cable coming out of the pivot joint through a ferrule in the ferrule magazine. Pull the safety cable through the ferrule and use the safety cable to pull the ferrule out of the ferrule magazine. See Figure [075-5-13](#), block 2.
5. Put the end of the safety cable through the crimping head of the crimping tool. Make sure the large hole in the crimping head is on the same side as the ferrule. Move the crimping tool along the safety cable until the crimping tool is against the part (Bergen) or ferrule (Snap-On).
  - (1) Bergen Tool Make sure the ferrule goes inside the hole in the crimping head. See Figure [075-5-13](#), sheet 1, blocks 3 and 4.
    - (a) If the ferrule will not go in the crimping head, remove the crimping tool from the cable and push the handles all the way together. When the handles are released they will open automatically. Put the cable back through the crimping head and move the crimping tool along the safety cable until the crimping head is against the part. Make sure the ferrule goes inside the crimping head.

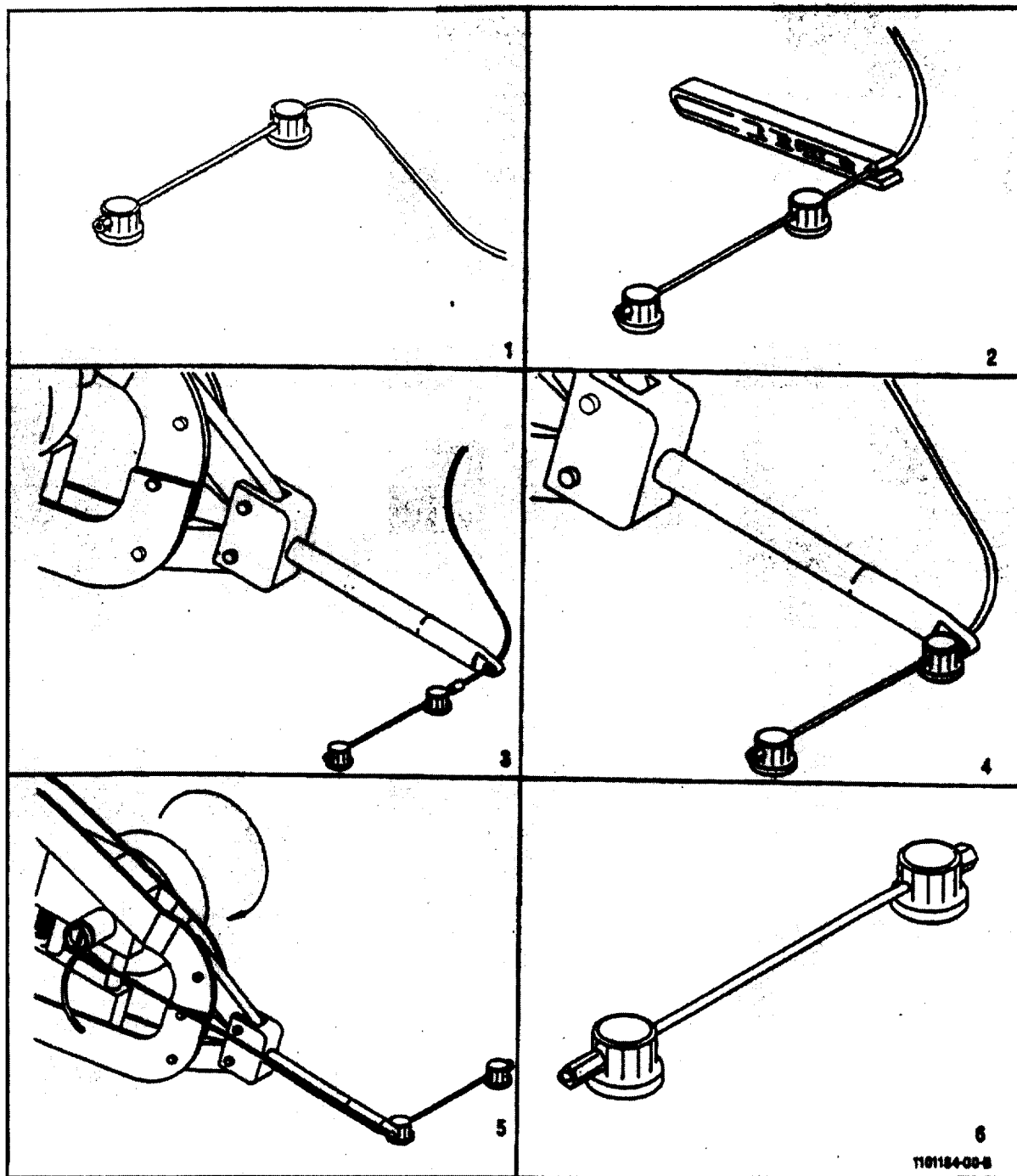


Figure 075-5-13. Safety Cable Procedure (Sheet 1 of 2)

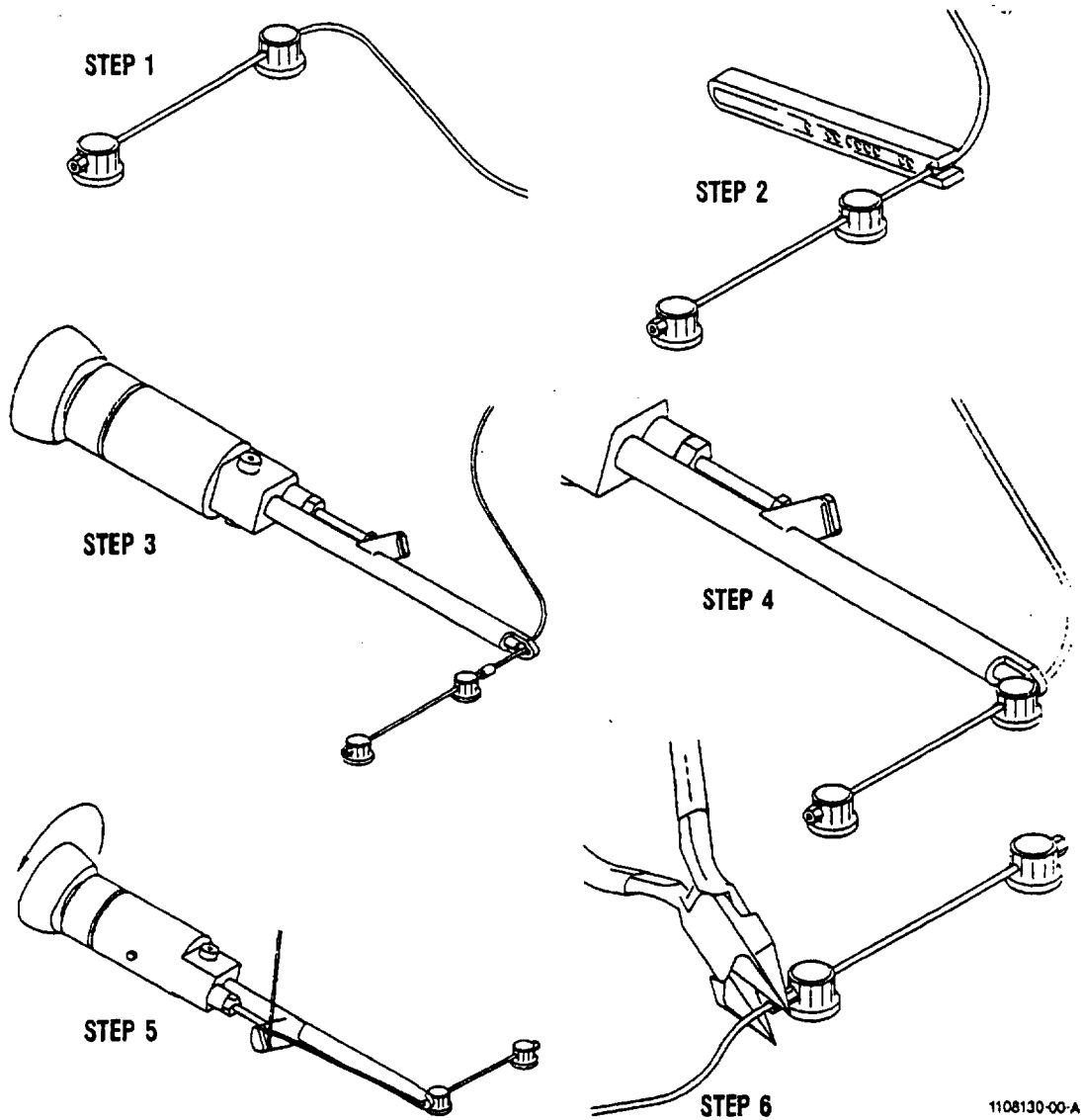


Figure 075-5-13. Safety Cable Procedure (Sheet 2 of 2)

**CAUTION**

**Do not put too much tension on the safety cable. The crimping tool will automatically set the tension. Too much tension will cause unnecessary stress on the safety cable.**

- (b) Put the safety cable across the slotted tensioning wheel on the side of the crimping tool. Make sure the cable is in the two slots in the wheel that are in line with the crimping head. Make sure the crimping tool is held perpendicular to the cable and the ferrule is tightly against the bolt head. Turn the tensioning wheel on the side of the crimping tool until several clicks are heard. See Figure 075-5-13, sheet 1, block 5.

**CAUTION**

**If the handles on the crimping tool are not completely closed when the operator releases them, the handles will remain in the same position and will**

**Caution - precedes**

**not open. If this should happen, apply pressure to close handles again until the handles release. Do not try to remove the crimping tool from the ferrule with the handles in the crimped or closed position.**

**Do not crimp the ferrule unless the correct tension has been applied by the tensioning wheel.**

- (c) Apply constant pressure to close the crimping tool handles. Continue to close the handles until the cable is cut. Release the pressure on the handles.
  - (d) Remove and discard the unused safety cable from the slotted tensioning wheel on the side of the crimping tool.
- (2) Snap-On Tool Pull back on the retraction knob. Put the ferrule in the crimping head and release the retraction knob. Make sure the ferrule is fully in the crimping head. See Figure 075-5-13, sheet 2, steps 3, 4, and 5.

### CAUTION

**Do not put too much tension on the safety cable. The crimping tool will automatically set the tension. Too much tension will cause unnecessary stress on the safety cable.**

- (a) Pull the safety cable to the tension post on the crimping tool. Wrap the cable completely around the post. Make sure the cable is in the groove at the top of the post. Pull the cable toward the drive handle until the cable goes behind the locking ball. See Figure 075-5-13, sheet 2, step 5.
  - (b) Hold the crimping tool perpendicular to the cable in the bolt head. Lightly pull on the end of the safety cable to remove slack. See Figure 075-5-13, sheet 2, step 5.
  - (c) Push the start cycle button and turn the drive handle clockwise. At the start of the cycle, the tension block will move backwards. This movement backwards provides the cable tension. When the drive handle is turned, release the start cycle button. Turn the drive handle until it stops (approximately two full turns).
  - (d) Pull up on the end of the safety cable end to remove it from the tension block.
  - (e) Pull back on the retraction knob and remove the crimping tool from the crimped ferrule and the remaining safety cable.
  - (f) Cut the unused safety cable even with the crimped ferrule. Use the side cushioned diagonal cutters. Discard the safety cable end.
6. Find the center of the safety cable in the test block. Use light finger pressure and push the center of the safety cable toward the wall on the test block. The safety cable must not touch the wall.
  7. If the safety cable touches the wall, the safety cable is not serviceable. Cut the safety cable with wire cutters and remove the safety cable from the test block. Install a new safety cable and do the pulloff load test again. Make sure the tension on the safety cable is correct. Make sure when you crimp the ferrule the crimping tool is perpendicular to the safety cable and the ferrule is tightly against the bolt head. If the cable touches the wall again, remove the crimping tool from service.
  8. Set a calibrated breakaway torque wrench to 80 in-lb (9.0 N\*m). Install the torque wrench in the pivot joint on the test block.
  9. Move the torque wrench handle counter-clockwise until the torque wrench clicks or the ferrule moves. If the ferrule moves before you hear the torque wrench click, remove the crimping tool from service.
  10. Find the center of the safety cable in the test block. Use light finger pressure and push the center of the safety cable toward the wall on the test block. If the safety cable does not touch the wall the crimping tool can be released for service. See Figure 075-5-12.
  11. If the safety cable touches the wall, the safety cable is not serviceable. Cut and remove the safety cable from the test block. Do the pulloff load test again with a new cable. Make sure when you crimp the ferrule the crimping tool is perpendicular to the safety cable and the ferrule is tightly against the bolt head. If the new safety cable is unserviceable, remove the crimping tool from service.
- d. Do a test to determine the exact amount of pressure necessary to cause the crimped ferrule or safety cable to

fail. It is recommended that this test be done a minimum of once a month. Use a safety cable tester to do this test. See Figure 075-5-12. Do the test according to the manufacturer's instructions. This test can also be used as an alternative to the test block test.

- e. There are certain techniques that are unique to the practice of safety cabling. Some are listed below:
1. Do a visual inspection of the holes to be safety cabled to find all damage. If the hole is damaged, replace the part or, if possible, use another hole to safety cable.

#### NOTE

Keep the safety cable as straight as possible when you safety cable the fasteners or parts together. See Figure 075-5-14.

2. Put the end of the safety cable without the cable end fitting into the hole in the part. Pull the cable through the hole until the cable end fitting is against the part. See Figure 075-5-14, block 1.

#### NOTE

Although every possible combination of safety cabling is not shown in Figure 075-5-14, all safety cabling must conform generally to the examples shown.

3. Insert the end of the cable through the second part. Choose the hole in the part that permits the cable to be as straight as possible. Pull the safety cable through the second part. If three parts must be safety cabled, do the same procedure for the third part.

#### NOTE

On a two bolt pattern, do not cable in a negative pull direction. Make sure the cable has a positive or neutral pull.

4. Put the end of the safety cable coming out of the last part to be safety cabled through a ferrule in the ferrule magazine. Pull the safety cable through the ferrule and use the safety cable to pull the ferrule out of the ferrule magazine. See Figure 075-5-13, block 2.
5. Put the end of the safety cable through the crimping head of the crimping tool. Make sure the large hole in the crimping head is on the same side as the ferrule. Move the crimping tool along the safety cable until the crimping head is against the part (Bergen) or ferrule (Snap-On).
  - (1) Bergen Tool Make sure the ferrule goes inside the hole in the crimping head. See Figure 075-5-13, sheet 1, blocks 3 and 4.
    - (a) If the ferrule will not go in the crimping head, remove the crimping tool from the cable and push the handles all the way together. When you release the handles they will open again automatically. Put the cable back through the crimping head and move the crimping tool along the safety cable until the crimping head is against the part. Make sure the ferrule goes inside the crimping head.
    - (b) Put the safety cable across the slotted tensioning wheel on the side of the crimping tool. Make sure the cable is in the two slots in the wheel that are in line with the crimping head. Make sure the crimping tool is held perpendicular to the cable and the ferrule is tightly against the bolt head. Turn the tensioning wheel on the side of the crimping tool until a click is heard. See Figure 075-5-13, sheet 1, block 5.

#### CAUTION

**If the handles on the crimping tool are not completely closed when the operator releases them, the handles will remain in the same position and will not open. If this should happen, apply pressure to close the handles again until the handles will release. Do not try to remove the crimping tool from the ferrule with the handles in the crimped or closed position.**

**Do not crimp the ferrule unless the correct tension has been applied by the tensioning wheel.**

- (c) Apply constant pressure to close the crimping tool handles. Continue to close the handles until the cable is cut. Release the pressure on the handles. Look at the crimped ferrule to make sure it has a good crimp. See Figure 075-5-13, sheet 1, block 6.
  - (d) Remove and discard the unused safety cable from the slotted tensioning wheel on the side of the crimping tool.
- (2) Snap-On Tool Pull back on the retraction knob. Put the ferrule in the crimping head and release the retraction knob. Make sure the ferrule is fully in the crimping head. See Figure 075-5-13, sheet 2, steps 3, 4, and 5.

### CAUTION

**Do not put too much tension on the safety cable. The crimping tool will automatically set the tension. Too much tension will break the safety cable.**

- (a) Pull the safety cable to the tension post on the crimping tool. Wrap the cable completely around the post. Make sure the cable is in the groove at the top of the post. Pull the cable toward the drive handle until the cable goes behind the locking ball. See Figure 075-5-13, sheet 2, step 5.

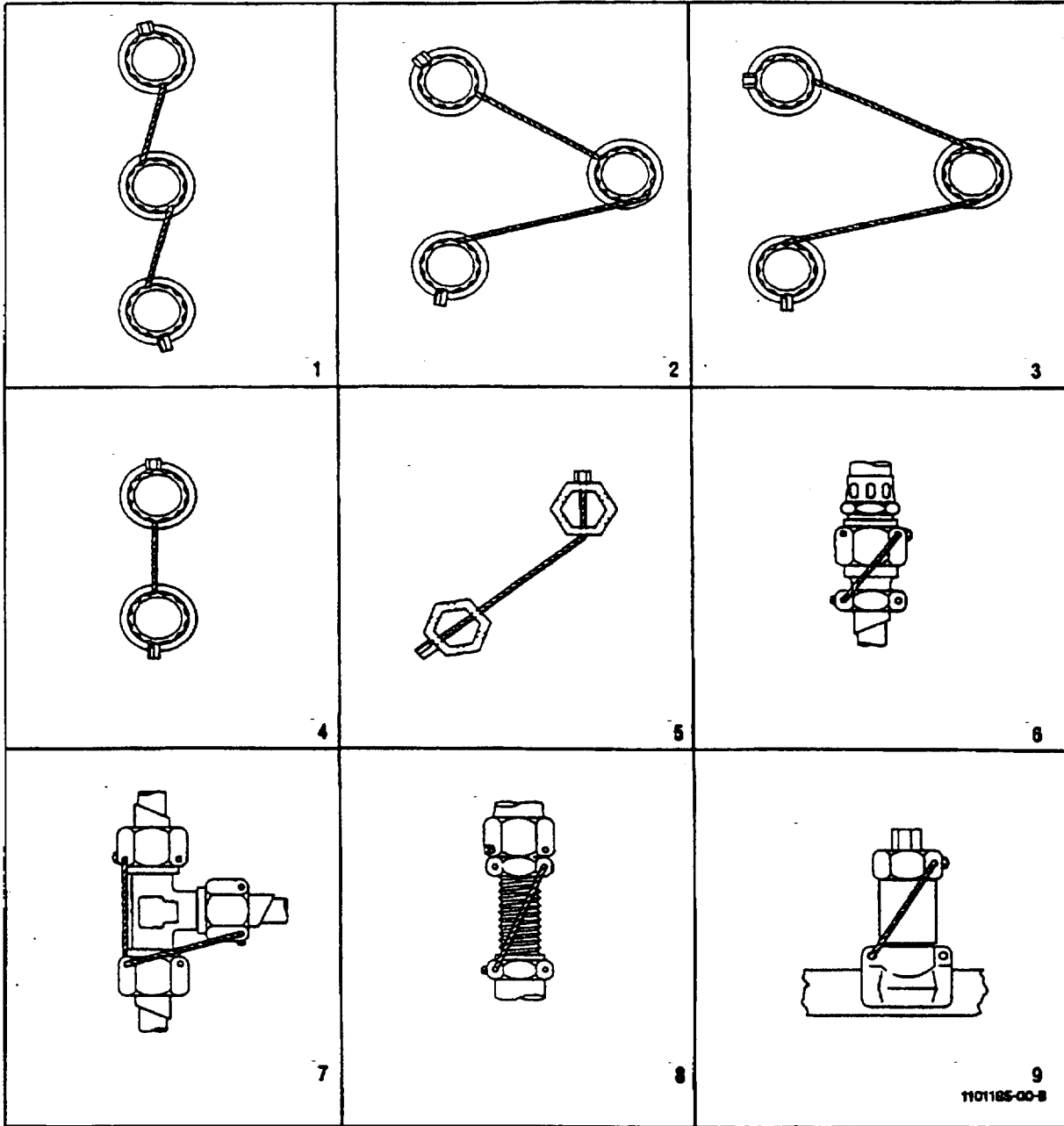


Figure 075-5-14. Safety Cable Patterns (Sheet 1 of 2)

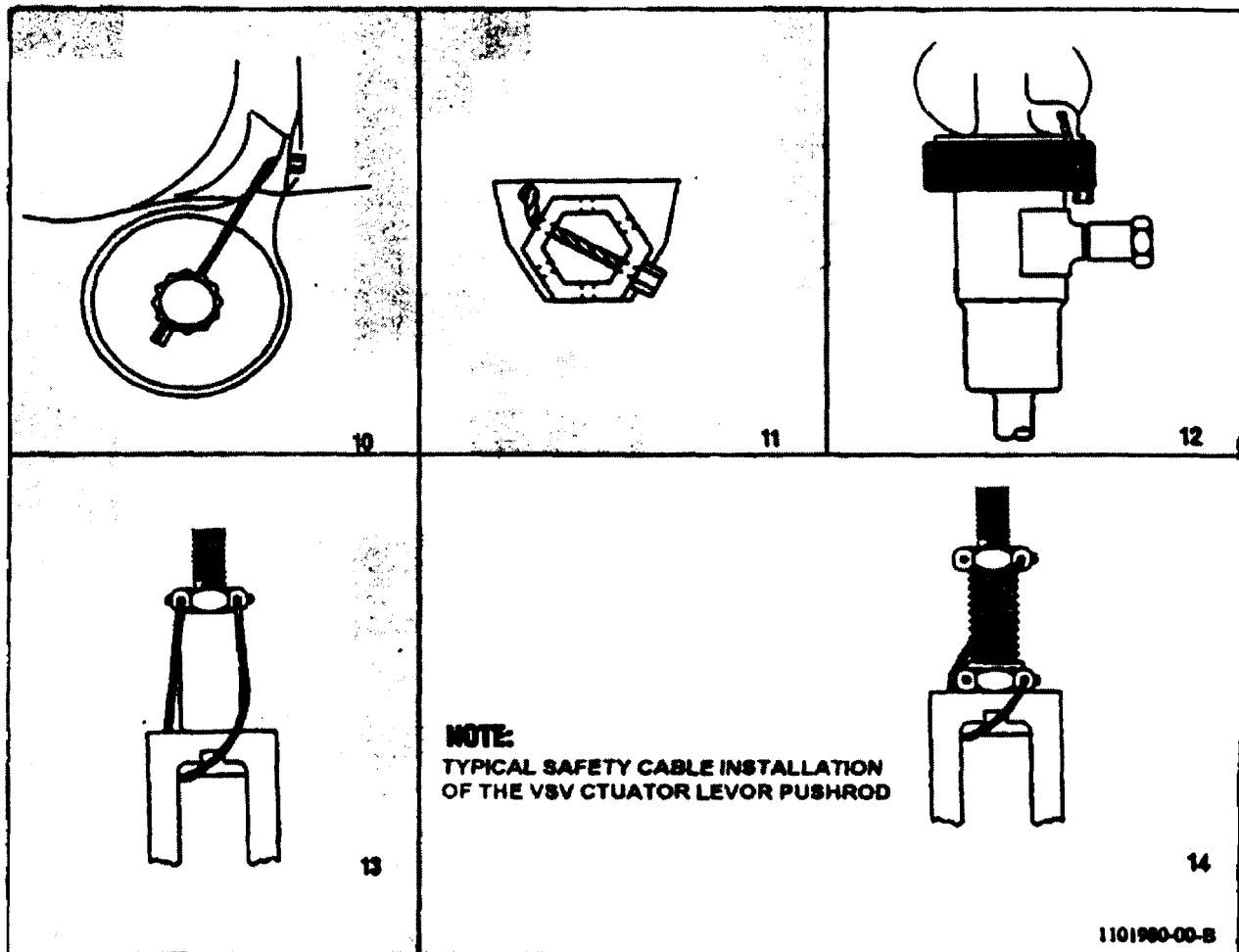


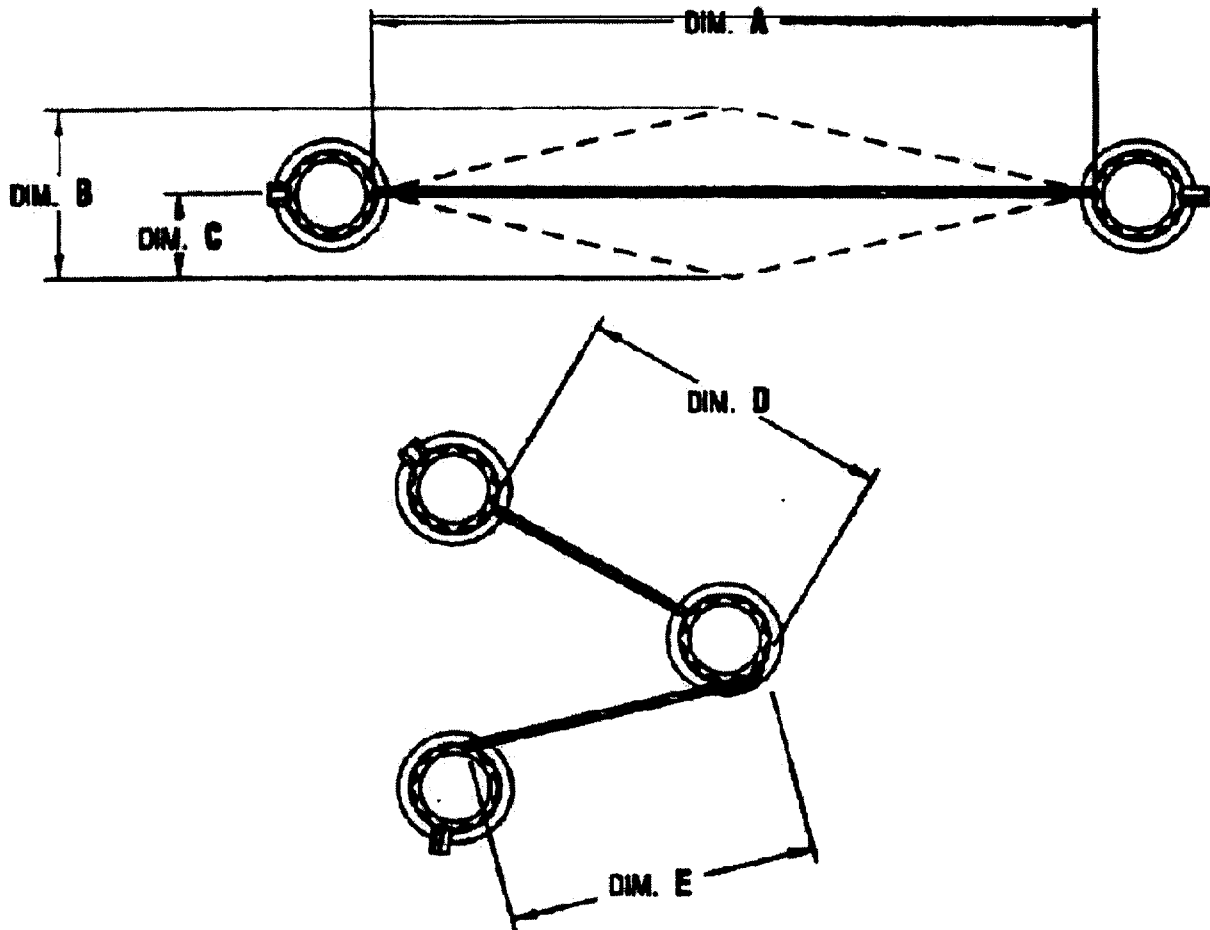
Figure 075-5-14. Safety Cable Patterns (Sheet 2 of 2)

- (b) Hold the crimping tool perpendicular to the cable in the bolt head. Make sure the ferrule is tightly against the bolt head. Lightly pull on the end of the safety cable to remove slack. See Figure 075-5-13, sheet 2, step 5.
  - (c) Push the start cycle button and turn the drive handle clockwise. At the start of the cycle, the tension block will move backwards. This movement backwards provides the cable tension. When the drive handle is turned, release the start cycle button. Turn the drive handle until it stops (approximately two full turns).
  - (d) Pull up on the safety cable end to remove it from the tension block.
  - (e) Pull back on the retraction knob and remove the crimping tool from the crimped ferrule and the remaining safety cable.
  - (f) Cut the unused safety cable even with the crimped ferrule. Use the side cushioned cutters. Discard the unused safety cable.
6. Visually inspect safety cable for kinks, frayed wires, or improper crimps. Remove and replace safety cable if a problem exists.
  7. Push against the safety cable with light finger pressure halfway between the safety cabled parts. If the cable feels loose, do a dimensional check to make sure the safety cable is serviceable (see Figure 8-1.13) as follows:
    - (1) Measure the distance between the safety cabled parts. Write down this measurement as Dimension A. If three parts are safety cabled together, measure the distance between each of the parts and add the two measurements together to get Dimension A.

- (2) Push against the safety cable with light finger pressure halfway between two safety cabled parts. Measure the distance the safety cable moves laterally. Write this measurement down as Dimension C.
- (3) Compare the dimensions that were written down to the limits given in Figure 8-1.13.

**CAUTION**

**Do not try to break the safety cable. If the safety cable must be removed, cut the safety cable to avoid damage to the holes in the parts.**



FOR THREE BOLT PATTERNS  
 $\text{DIM. A} = \text{DIM. D} + \text{DIM. E}$

DIM. A	DIM. B	DIM. C
0.5 IN. (13 MM)	0.125 IN. (3.18 MM)	0.082 IN. (1.57 MM)
1.0 IN. (25 MM)	0.250 IN. (6.35 MM)	0.125 IN. (3.18 MM)
2.0 IN. (51 MM)	0.375 IN. (9.53 MM)	0.188 IN. (4.78 MM)
3.0 IN. (76 MM)	0.375 IN. (9.53 MM)	0.188 IN. (4.78 MM)
4.0 IN. (102 MM)	0.500 IN. (12.70 MM)	0.250 IN. (6.35 MM)
5.0 IN. (127 MM)	0.500 IN. (12.70 MM)	0.250 IN. (6.35 MM)
6.0 IN. (152 MM)	0.625 IN. (15.88 MM)	0.312 IN. (7.92 MM)

Figure 075-5-15. Safety Cable Installation Dimensions

## 075-5.6 LOCKWASHER METHOD

075-5.6.1 GENERAL. Many installations aboard ships, especially older ships, still use lockwashers in diesel engines and similar equipment to prevent threaded fasteners from loosening. These may be replaced with the same type of fastener if loosening has not been a problem. If loosening has been a problem, however, replace the lockwashers with self-locking fasteners. Standard lockwashers are detailed in ASME B18.21.1 (inch) and ASME

B18.21.2M (metric). Lockwashers in common use consist of the helical spring, curved or conical spring, internal tooth, external tooth, and internal-external tooth type.

075-5.6.2 HELICAL SPRING LOCKWASHERS. The most frequently used lockwasher is the helical spring (split) type. The helical spring lockwasher (Figure 075-5-16) is flattened when the bolt is torqued down. Once compressed, it acts as a flat washer, contributing normal friction between the nut or bolt and the bearing surface during tightening. If the fastener clamping load relaxes, the spring action of the lockwasher will maintain some load between the threads of the fastener, reducing the tendency of the fastener to rotate. Some helical spring lockwashers have a sharp tooth on each end that bites into each bearing surface and prevents rotation. This type adds friction during tightening and will result in some reduction in preload. Because the helical spring lockwasher diameter is small and it tends to dig in when loosened, it is rarely used on soft materials or with oversized or elongated holes.

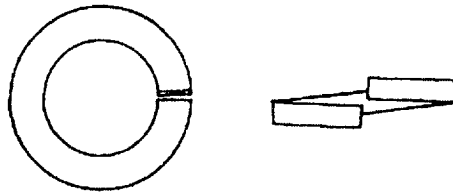


Figure 075-5-16. Helical Spring Lockwasher

075-5.6.3 CURVED OR CONICAL SPRING LOCKWASHERS. Curved or conical (Belleville spring) lockwashers (Figure 075-5-17) have properties similar to the helical spring lockwasher. Unlike the helical spring lockwasher, however, they provide a relatively constant tension on the fastener over a significant range of deflection when the clamping load is reduced. They are also usually larger in diameter, which helps to distribute the clamping load better. Unless the washer is very thick, as thick or thicker than a heavy helical spring lockwasher, the tension produced is usually less than that produced by the helical spring lockwasher and therefore less effective. Some high load applications requiring high-strength fasteners use a large, thick, hardened version. Because the Belleville spring washer has constant force characteristics, it is sometimes used to compensate for thermal expansion of some components while still maintaining the proper fastener preload. Where these types of washers are found, they shall continue to be used and replaced in kind.

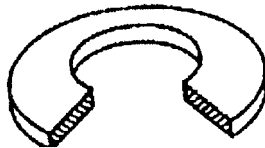


Figure 075-5-17. Curved or Conical Lockwasher

075-5.6.4 TOOTHED LOCKWASHERS. Toothed lockwashers (Figure 075-5-18) are washers with twisted or bent teeth around the outside, inside, or outside and inside. As the fastener is tightened, the teeth flatten, providing a somewhat uniform bearing surface. When the fastener loses its clamping load and tries to rotate the teeth bite into both bearing surfaces and resist rotation as long as the deflection range of the teeth is not exceeded. Tooth-type lockwashers are preferred for use in electrical applications since the teeth maintain a larger area of contact.

075-5.6.4.1 Internal Tooth Lockwashers. The light internal tooth type lockwashers are used under small-headed screws; the heavy internal-type lockwashers are used with large nuts and bolts.

075-5.6.4.2 External Tooth Lockwashers. Where engagement of all the teeth by the bearing surfaces of both the fastener and the component can be ensured, the external tooth types provide better service than the internal types.

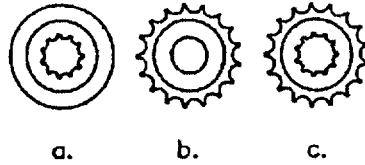


Figure 075-5-18. Toothed Lockwashers

075-5.6.4.3 Internal-External Tooth Lockwashers. For oversize holes or where a large bearing surface is required, the internal-external type lockwasher is recommended. The internal-external type is sometimes used as an insert between members that have oversize or elongated holes and require position adjustment before the fastener is tightened.

075-5.6.5 PART NUMBERS. As previously mentioned (paragraph 075-2.5.1), standard part numbers for lockwashers are identified in MIL-STD-1764, **Washers, Preferred for Design, Listing of** . Some of the lockwasher standards, covered in MIL-STD-1764, are listed in Table 075-5-2.

### 075-5.7 CHEMICAL METHOD

075-5.7.1 GENERAL. A number of chemical threadlocking compounds are available. Those approved for naval use are the anaerobic compounds that comply with MIL-S-22473, **Sealing, Locking, and Retaining Compounds; Single-Component** , and MIL-S-46163, **Sealing, Lubricating and Wicking Compounds: Thread-Locking, Anaerobic, Single-Component** . Table 075-5-3 lists some of the NSNs that may be used for procuring these anaerobic compounds. For systems and equipment in nuclear propulsion plants, only Grade AV and AVV per MIL-S-22473 are to be used unless otherwise specifically identified on applicable technical documentation. The appropriate **General Reactor Plant Overhaul and Repair Specification Section** 9090-3 provides restrictions on the use of locking compounds in the reactor plant.

075-5.7.2 ANAEROBIC THREADLOCKING COMPOUND. Anaerobic threadlocking compounds usually have methacrylate ester as a base. These compounds cure (polymerize or harden) in the absence of air hence the term anaerobic. The hardened compound then resists rotation of the parts because it has both bonded to the threads as an adhesive and penetrated the pores of the thread material to provide a mechanical lock.

075-5.7.2.1 Material Compatibility. Threadlocking compounds may be used with all metals, glass, ceramics, and many thermoset plastics such as phenolic, polyester, and nylon. They will soften and sometimes craze (etching, shallow cracking) thermoplastics, however, including ABS, polycarbonate, vinyl, and methacrylate. They will also soften varnish and lacquer finishes. Most baked enamel finishes are not harmed by initial contact with threadlocking compounds but should be wiped clean within 1 hour. The cured compounds will not affect any of the above materials.

**Table 075-5-2. LOCKWASHER STANDARDS**

<b>Military Standards</b>	<b>Fasteners Sizes(nominal)</b>	<b>Materials</b>
MS35333, Washer, Lock, Flat-Internal Tooth	#2 (0.086 inch) through 1.000 inch	Carbon Steel CRES Phosphor Bronze Tin-Bronze
MS35334, Washer, Lock-Flat, Heavy, Internal Tooth	0.250 (1/4 inch) through 0.875 (7/8 inch)	Carbon Steel
MS35335, Washer, Lock, Flat-External Tooth	#4 (0.112 inch) through 1.000 inch	Carbon Steel CRES Phosphor Bronze Tin-Bronze
MS35338, Washer, Lock-Spring, Helical, Regular (Medium) Series	#2 (0.086 inch) through 1.500 inch	Carbon Steel CRES Phosphor Bronze Tin-Bronze Nickel-Copper-Aluminum
MS35340, Washer, Lock-Helical Spring, Extra Duty (Extra Heavy) Series	#2 (0.086 inch) through 1.500 inch	Carbon Steel
MS35790, Washer, Lock-Countersunk, 100°F, External Tooth	#2 (0.086 inch) through 3/8 (0.375 inch)	Carbon Steel Phosphor Bronze Tin-Bronze
MS45904, Washer, Lock, Internal and External Tooth	#4 (0.112 inch) through 5/8 (0.625 inch)	Carbon Steel
MS51848, Washer, Lock-Helical Spring, Hi-Collar	#0 (0.060 inch) through 1.000 inch	Carbon Steel CRES

075-5.7.2.2 Cleaning and Surface Activation Requirements. All parts must be chemically cleaned and have active surfaces to achieve reasonable cure times and proper strength. Never apply the locking compounds to oily surfaces or surfaces that have only been cleaned with diesel oil or solvents that leave a thin film after drying. Primers are available from the locking compound manufacturers that activate the thread surface and also contain some trichloromethane as a solvent. These primers will provide a clean and active surface when used as directed on the container. Nevertheless, preliminary cleaning should still be done using an approved shipboard solvent, after which the parts can be wiped dry and the primer applied.

075-5.7.2.3 Anaerobic Compound Cure Time. Anaerobic threadlocking compounds begin to cure on an active surface as soon as they are deprived of contact with air. The time required to complete the initial stage of curing, or the point at which the compound is no longer liquid, is referred to as fixture time. Fixture time varies from 15 seconds to 30 minutes, depending on the grade of primer used and the ambient temperature. Full curing requires much more time. Full cure on steel without a primer requires approximately 24 hours at 72°F. Curing time is halved for every 20°F increase and doubled for every 20°F decrease in temperature.

075-5.7.2.4 Fastener Material Curing Characteristics. Anaerobic compounds will cure to some extent on almost any clean metal surface, but proper curing requires what is called an active surface, or an activator or heat applied to an inactive surface, or both. Table 075-5-4 shows common active and inactive surfaces.

075-5.7.2.5 Primers (Activators). Primers are available that will activate inactive material surfaces and accelerate the curing process within different times.

075-5.7.2.6 Assembly Time Requirements. Grade N is a general purpose primer. Fixture time with this primer is approximately 30 minutes, with full cure of the compound achieved in 24 hours. Grade T primer is a fast-curing primer that will provide a full cure in 6 hours. Fixture time with grade T primer is approximately 5 minutes. Table 075-5-5 lists some of the NSNs that may be used for procuring these primers in grades N and T. For special applications that require faster curing times, grade NF 736 primer with a cure time of 4 hours is available, but this primer requires great caution, since fixture occurs within 15 seconds and final tightening within a total of 30 seconds following application of the primer. The grade NF 736 primer may be obtained commercially. Use is subject to approval on a case basis. Primers to MIL-S-22473 can be used with anaerobic compounds to MIL-S-46163.

075-5.7.2.7 Using Heat to Cure. Heat can also be used to activate and accelerate the curing process. Complete cure will occur in 1 hour, provided the bond line temperature is held at 200°F to 250°F during that period. The use of heat may be an impractical way to accelerate curing unless special heating equipment is available, the fastener is readily accessible, and the component can accept the heat. Do not try to use a torch, as the temperature cannot be controlled accurately and the heat has to be applied for an hour.

075-5.7.2.8 Tightening Chemically Locked Fasteners. All threaded fasteners treated with anaerobic compounds should be assembled and given their final torquing while the compound is still liquid. When tightened wet, the fastener will have essentially metal-to-metal contact of the load bearing thread surfaces after curing. This provides a stronger joint and reduces the tendency of the initial fastener preload to relax with time. An additional benefit is that the compound, in its liquid form, acts as a lubricant to help achieve the proper fastener preload.

**Table 075-5-3. LISTING OF ANAEROBIC COMPOUNDS TO MIL-S-46163**

NSN (8030)	Type	Grade	Container	Size	Loctite No.
00-148-9833	I	K	10-Plastic Squeeze Bottles	10 cc each	271
01-158-6070	I	K	Plastic Squeeze Bottle	50 cc	271
01-063-7510	I	L	Plastic Squeeze Bottle	50 cc	277
01-054-3968	II	M	Plastic Squeeze Bottle	10 cc	222
01-069-3046	II	M	Plastic Squeeze Bottle	50 cc	222
01-055-6126	II	M	Plastic Squeeze Bottle	250 cc	222
01-104-5392	II	N	Plastic Squeeze Bottle	10 cc	242
01-014-5869	II	N	Plastic Squeeze Bottle	50 cc	242
01-025-1692	II	N	Plastic Squeeze Bottle	250 cc	242

**Table 075-5-4. COMMON ACTIVE AND INACTIVE SURFACES**

Active Surfaces	Inactive Surfaces (use activator primer)
Soft Steel or Iron	Bright Platings
Copper	Zinc
Brass	Anodized Surfaces
Manganese	Pure Aluminum
Bronze	Passivated Surfaces
Nickel	Stainless Steel
Commercial Aluminum (containing copper)	Titanium
	Cadmium
	Magnesium
	Plastics
	Natural or chemical black oxide on steel

**Table 075-5-5. LISTING OF PRIMERS (ACTIVATORS) TO MIL-S-22473**

NSN (8030)	Grade	Container	Size
00-082-2508	T	Bottle	4 oz
00-083-3442	T	Can	1 gal
00-181-8372	T	Aerosol Can	6 oz
00-900-2373	N	Bottle	4 oz
00-935-5816	N	Can	1 gal
00-980-3975	N	Can	6 oz

075-5.7.2.9 Tightening of Studs Set with Chemicals. Studs must be set while the locking compound is still liquid. Care should be taken to ensure the proper stud stand-out is maintained since little adjustment can be made after the compound has become fixed which requires 15 seconds to 30 minutes depending upon the primer used. Normally, the joint should not be assembled until the locking compound has cured which can take up to 24 hours if primers are not used. Using grades T or NF 736 primer will reduce the waiting times to 6 and 4 hours, respectively. Where heat at 200° to 250°F can be applied to the bond line and held between the specified limits, the waiting period can be reduced to 1 hour.

075-5.7.2.10 Threadlocking Compound Selection. Base selection of the specific compound on the type and material of the fastener on which it is to be used and the desired end result. Five variables are involved in the

selection process: fastener type, fastener material, service temperature, required breakaway and prevailing torque (locking torque strength), and size of gap (class of thread fit) to be filled.

075-5.7.2.10.1 Standard Anaerobic Threadlocking Compounds. Unless otherwise specified, or where some unusual requirement exists, most shipboard threadlocking needs can be satisfied by one of the following anaerobic compound grades (or equivalent MIL-S-24733 grades):

- a. MIL-S-46 163 Type II, Grade M, (purple); 300°F service temperature, low strength, permits some fastener adjustment after curing, removable with hand tools, suitable for 1/4-inch and smaller fasteners.
- b. MIL-S-46 163 Type II, Grade N, (blue); 300°F service temperature, medium strength, general purpose, removable with hand tools, suitable for fasteners larger than 1/4 inch. This is the most commonly used grade.
- c. MIL-S-46 163 Type I, Grade K, (red); 300°F service temperature, high strength for fasteners up to 1 inch, permanent locking, requires heat (500°F) and hand tools to remove.
- d. MIL-S-46 163 Type I, Grade L, (red); 300°F service temperature, high strength for fasteners over 1 inch, permanent locking, requires heat (500°F) and hand tools to remove.
- e. NSN 8030-01-171-7628, (red); 450°F service temperature, high strength, permanent locking, requires heat (500°F) and hand tools to remove.

075-5.7.2.10.2 Fastener Type. For the purpose of selecting the proper grade of anaerobic thread locking compound, all threaded fasteners fall into one of the three following types: studs, fasteners 1/4-inch and smaller, and fasteners larger than 1/4 inch.

- a. Studs. Unless otherwise specified, studs that must have their set end locked may be locked with an anaerobic threadlocking compound instead of a class 5 fit, provided that a class 2 to 3 thread fit is achieved and the requirements for cleaning, priming, temperature, and curing are met.
  1. The purpose of locking the set end of a stud is usually to enable the self-locking nut on the opposite end to be installed without rotation of the stud in its tapped hole. To this end, use MIL-S-46163 Type II, Grade N, as its breakaway torque is greater than that of a reusable self-locking nut. Where greater locking torque strength or permanent locking is required, use NSN 8030-01-171-7628.
  2. NSN 8030-01-171-7628 requires the application of heat (500°F) for removal. If these temperatures cannot be applied safely, the stud may have to be drilled or otherwise machined out for removal.
- b. Small Fasteners. Lock fasteners 1/4 inch and smaller with a low-strength compound such as MIL-S-46163, Type II, Grade M.
- c. Large Fasteners. Lock fasteners larger than 1/4 inch with a medium-strength compound such as MIL-S-46163 Type II, Grade N.

075-5.7.2.10.3 Fastener Material. The locking torque strength of the anaerobic compound is partially dependent on the material of the fastener to which the compound is applied. Most torque strength data are based on the use of uncoated steel fasteners, which have a naturally active surface. Anaerobic compounds used on a zinc-coated fastener will develop only 70 percent of the torque strength of compounds used on a bare steel fastener; those used on an aluminum fastener will develop only 30 percent of the torque strength of compounds used with steel. Other nonferrous materials have similar properties. To get the best locking with all materials, always use a primer that will ensure a clean active surface (see paragraph [075-5.7.2.2](#)).

075-5.7.2.10.4 Service Temperature. The service temperature for the fastener (design operating temperature) can be determined from the system or component specifications. If the service temperature is between -65° and +300°F, most of the locking compounds will give satisfactory service over this temperature range. Where permanent locking is acceptable for non-nuclear applications, NSN 8030-01-171-7628 can be used between -65° and +450°F.

075-5.7.2.10.5 Locking Torque Strength. The locking torque strength required is usually determined by the following three considerations:

- a. Do you need to disassemble the fastener or remove the stud?
- b. Can heat (500°F) be applied to the fastener?
- c. Is a fastener preload specified?

The first consideration is based on maintenance requirements and usually is obvious. The second depends on the fastener material and on determining whether heating the fastener would damage the equipment. If a minimum preload is specified, locking compounds with a breakaway torque lower than the prevailing torque are unacceptable. The anaerobic threadlocking grades listed in paragraph 075-5.7.2.10.1 all have acceptable breakaway torque to prevailing torque ratios.

075-5.7.2.10.6 Gap Size (Class of Thread Fit). The gap size is determined by the class of thread fit. Studs are usually permitted to have a class 2 fit on their set end, but some applications specify a class 3 fit. All other shipboard threaded fasteners have a fit at least as tight as class 2. The anaerobic threadlocking grades listed in paragraph 075-5.7.2.10.1 will all fill the gaps associated with class 2 and tighter fits satisfactorily.

075-5.7.2.10.7 Inspection of Studs Set with Anaerobic Compounds. If no other guidance is provided, studs should be subjected to a torque inspection test following installation. The inspection torque applied is to provide assurance that the studs will not turn with normal nut installation and removal. The torques listed in Table 075-5-6 are essentially the maximum breakaway torque permitted for NASM25027 self-locking nuts. Normally, the joints will withstand much higher torques which are dependent upon the anaerobic compound used and the depth to which the stud is set. Inspection shall be in accordance with the following:

1. Allow the compound to cure for the time specified in paragraph 075-5.7.2.3.
2. Select the proper stud or studs for testing, one from a group of three or less or two from a group of four or more. Where two are selected they should be approximately 180 degrees apart.
3. On the stud to be tested, install a stud removal tool that grips the threads without damaging them. Apply the inspection torque from Table 075-5-6 in the direction that would loosen the stud. Stud removal tools are listed in the Afloat Shopping Guide under FSC 5120. If a stud removal tool is not available, double nuts may be used. The material of the nuts selected shall have low galling potential. ASTM A 194 Grade 7 or equivalent nuts are recommended for inspection of both ferrous and non-ferrous studs.
4. If the stud does not rotate on the application of the torque, installation of that stud is satisfactory. The stud installation is also satisfactory if the stud does not rotate more than 1/4 turn.
5. If any stud rotates more than 1/4 turn, every stud in the group shall be inspected and all which rotate more than 1/4 turn shall be removed, reinstalled. The reinstalled studs shall be subject to reinspection starting with step 1 above.

**Table 075-5-6. PROOF TORQUE VALUES FOR FASTENERS INSTALLED WITH ANAEROBIC COMPOUND**

Fastener Diameter (inches)	Torque (ft-lb) <sub>1</sub>	Fastener Diameter (milli-meters)	Torque (N-M) <sub>2</sub>
1/4	2.5	3	0.6
5/16	5	4	1.2
3/8	6.7	5	2.1
7/16	8.3	6	4.0
1/2	12.5	8	9
9/16	17	10	14
5/8	25	12	21
3/4	33	13	31
7/8	50	16	42
1	67	20	72
1-1/8	75	24	106
1-1/4	83	30	140
1-3/8	100	36	180
1-1/2	115		
1-3/4-5	150		
1-3/4-8	160		
2	180		
2-1/4	215		

1 Ft-lbs may be converted to Newton-Meters by multiplying by 1.356.  
2 Newton-Meters may be converted to ft-lbs by multiplying by 0.738.



## SECTION 6

### THREADED FASTENER REMOVAL

#### 075-6.1 GENERAL

075-6.1.1 CONTROL. As the complexity and sophistication of ships increase, it becomes more and more important to treat threaded fasteners carefully. When fasteners are removed during equipment overhaul or repair, or for inspection, and are to be reused, a suitable control system for identifying, stowing, and handling them is required (i.e., tag and bag). This is important because some uniform strength fasteners used for equipment hold-down or other applications designed for HI-shock are identical to or closely resemble standard fasteners (see paragraph 075-2.9.2 for further information on identifying uniform strength fasteners). Some applications, such as fitted bolts or class 5 interference fit studs, require that each fastener be identified by the hole from which it came.

075-6.1.2 LEFT-HAND THREADS. Most threaded fasteners have right-handed threads which are turned clockwise to tighten and obviously should be turned counter-clockwise to loosen. Some fasteners used on rotating elements of machinery, however, may use left-hand threads to prevent the fastener from loosening during operation. Pay particular attention to these areas and look carefully at the hand of the thread before loosening the fasteners. If you can't see any of the thread, examine the bolt head or nut for some kind of identification such as the letters LH or L, which denotes a left-hand thread. If the hand of the thread is not obvious, check the equipment manuals, technical manuals, and drawings. If you can find the number, check the APL for a replacement, it may give the hand. If none of these approaches work, then try to turn the fastener with a torque wrench. Start by trying to turn the fastener opposite to the direction of the component's rotation. Apply the torque slowly and build up to the value given in Table 075-4-1 for the fastener size in question. If the fastener turns but the torque required to turn it is increasing, then you are probably turning it the wrong way. Stop and try the other way and it should loosen. There is usually some margin in the specified torque values and you will not damage the fastener by exceeding the specified torque by 10%.

075-6.1.3 AVOIDING PROBLEMS. Don't let little mistakes lead to major problems. Few things are more frustrating than rounded-off wrench flats and broken studs or capscrews. Although there will always be some of these problems, you don't have to make a career out of them. A few simple precautions will greatly reduce the number of damaged fasteners and knuckles.

075-6.1.3.1 Plan Your Job. Examine the fasteners that you have to remove. Look for rust and corrosion. If you find it, clean off as much of the dirt, paint, and rust as you can so that you can get down to the threads and the joint between the fastener and its bearing surface. Apply penetrating oil and let it soak in. Penetrating oils are listed in the Afloat Shopping Guide (ASG) under FSC 9150. For propulsion plant equipment in nuclear powered ships, only penetrating fluid per MIL-P-24548 can be used. If the equipment will not be damaged, tapping on the fastener with a hammer will help the penetration. Make sure that you get your wrench all the way on the nut or head and pull on the wrench at as close to a 90-degree angle to the fastener centerline as you can. If you're working with a nut and bolt, turn the nut, not the bolt. If at all possible, use a 6-point socket or boxend wrench; they are far less likely to round off the corners. Open end wrenches are for fasteners located where you simply can't get a socket or box-end wrench on them.

075-6.1.3.2 Think Safety. Make sure that you hold the wrench on the nut straight and pull straight, if you don't, there is a good chance that the wrench will twist and round off the corners. There is also a good chance you will

hurt yourself. Look at where your hand or your head will end up if the wrench slips or if the fastener breaks loose suddenly. If you see a problem, reposition the wrench or protect yourself with a rag.

075-6.1.3.3 Stubborn or Damaged Fasteners. After you have made the initial preparations outlined in the preceding two paragraphs, you are ready to start. If you suspect that the fastener is stuck, or if you have tried it and it is stuck, try an impact wrench with a six-point impact socket. The impact load will put more load on the nut than a steady pull will. Manual Impact Wrenches are listed in the ASG under FSC 5120. If this doesn't work see Section 9 for information on removing damaged or stubborn fasteners.

075-6.1.4 NORMAL REMOVAL. Most threaded fasteners are removed with ordinary hand tools: box and open-end wrenches or socket wrenches. The job will always go smoother if you use the best tool for the job. You'll waste more time and a lot more energy struggling with a wrench that's too short than you will in going to your tool box and getting one with a long enough handle. Get a long handle breaker bar for your socket set and use it. If you can get a power-driven nut runner, treasure it and use it; break the nut loose with the breaker bar and use the nut runner to remove it. Don't use an open-end wrench when you have a socket wrench and a ratchet handle that will fit. Use 3/8-drive sockets wherever you can; they are a lot easier to use overall.

075-6.1.4.1 If you are working with large fasteners, use large wrenches. Get 1-inch drive sockets; don't fool around with 2-inch diameter sockets on a 1/2-inch drive handle. If you have several large fasteners to loosen, get a 1-inch drive impact wrench and a six-point impact socket.

075-6.1.4.2 If you can turn the fastener but it's difficult because of rust or corrosion, don't keep turning until it seizes. Use penetrating oil to break down the rust and reduce thread friction so that you can remove the fastener without a major problem. For propulsion plant equipment in nuclear powered ships, only penetrating fluid per MIL-P-24548 can be used. Apply the chemical liberally to the thread area and to the bearing surface. Turn the fastener back a little bit and then apply more chemical. Once the fastener starts to turn more freely, apply more chemical and work the fastener back and forth. This will work the chemical into the thread area and you should then be able to remove the fastener. It helps to let it soak for several hours to allow the chemical to seep into the smallest cracks.

075-6.1.4.3 Several commercial products are on the market that are not corrosive and work well. They can be obtained from the ship's supply system or by local purchase. When using such products, observe the manufacturer's cautions and directions printed on the container. Some products contain corrosive chemicals that accelerate the corrosion of some metals with which they come in contact. Since these products tend to seep into small cracks and inaccessible areas and cause further damage, don't use them. Check the label on the container or ask the supplier about the potential corrosive nature of the products. Removing damaged or especially stubborn fasteners is detailed in Section 9 of this NSTM chapter.

075-6.1.5 REMOVAL OF CHEMICALLY LOCKED FASTENERS. Fasteners locked with an anaerobic compound can be disassembled by one or a combination of the following methods: applying high torque, applying heat, applying chemicals.

075-6.1.5.1 Using Torque to Loosen. First apply torque in excess of breakaway values (short of breaking the fastener) to break down the compound. Then, continue to apply torque at prevailing torque levels until the fastener is apart.

075-6.1.5.2 Using Heat and Torque to Loosen. If the above method does not loosen the fastener, apply heat to the fastener and continue to apply loosening torque. The compound will soften appreciably or decompose at 500°F.

075-6.1.5.3 Using Chemicals and Torque to Loosen. Chemicals are available which will loosen anaerobic compound. However, their use is generally prohibited aboard ship because of environmental or personnel hazards.

### CAUTION

**When applying heat, make sure that the heat applied will not damage the equipment, nearby seals or gaskets, or present a fire hazard. If you've applied chemicals to soften that locking compound, wash them off with appropriate solvents and dry the area before applying heat.**

075-6.1.5.4 Nonanaerobic Locking Compounds. You may encounter many nonanaerobic locking compounds, and identifying them may be impossible. In any event, the procedures described above usually works for them also.



## SECTION 7

### INSTALLATION OF THREADED FASTENERS

#### 075-7.1 GENERAL

075-7.1.1 If you are only replacing undamaged fasteners removed for some inspection or repair operation, selecting the proper threaded fastener system is simple. Put the old fasteners back in the same joint they came out of and tighten them to the proper preload. The only potential problems here are: Which joint did which fastener come out of? What is the proper preload? and How are you going to measure the preload? Have you ever had to put a piece of equipment back together that someone else took apart? If you have, then you can understand the importance of tag and bag. The fasteners used for a particular joint should be thought of as a threaded fastener system. It takes the right combination of nuts, bolts, washers, locking devices, and joint design to ensure proper joint performance. Since you may not be the first person to take down a particular joint you should be alert to the possibility that the fasteners that are now in the joint may not be the correct ones. Check the ship's equipment and component APLs, and the technical manuals or component drawings before you start the job to see what fasteners you can expect to find. If you are working on a MIC Level I system, the quality assurance (QA) department must become involved in the overall job and with all new material taken from the MIC Level I supplies (see paragraph [075-3.2.1](#)).

#### 075-7.2 FASTENER SELECTION PROCEDURE

075-7.2.1 If possible, obtain technical input from NSWCCD using Table [075-3-7](#). When no other guidance is available, use the following:

1. Check max operating temp of system fastener will be exposed to.
2. Determine material fastener is clamping.
3. Select material which is suitable for the application.
4. Verify material selected can withstand operating temps.
5. Determine clamping force needed and select the fastener having sufficient strength greater than needed.
6. Select size, shape, & type fastener per other section of manual.
7. At next availability, obtain tech assistance to verify selection.

The following paragraphs discuss several specific topics related to the proper selection of fasteners. In addition, refer to Section [2](#) and Section [3](#) of this chapter for guidance on identifying fasteners, Section [4](#) for guidance on tightening fasteners, and Section [5](#) for guidance on locking threaded fasteners.

#### 075-7.3 FIVE BASIC SITUATIONS

075-7.3.1 GENERAL. There are five basic situations that you will encounter in installing fasteners: 1) the original fasteners were removed without damage to them and were properly tagged for reinstallation, 2) there are damaged fasteners, 3) fasteners are missing, 4) the fasteners were not tagged for reinstallation, or 5) a combination of the above. There is an additional consideration that is common to each of the five basic situations: Are the fasteners you have now the correct ones, or were they mixed up during previous maintenance? When trying to identify lost or damaged fasteners, keep in mind that there is usually more than one fastener of the same type in a particular piece of equipment. Pipe line flanges, cover plates, pump casings, cylinder heads, connecting rods,

and pipe hangers all have more than one fastener. Look at the remaining fasteners and see if they have legible markings, or look at the same equipment in another space on your ship or on another ship. You can then identify the fastener and get a new one.

**075-7.3.2 NEW EQUIPMENT.** If the component is new or has not been previously disassembled and the equipment or component has not experienced problems with leakage, breakage, or corrosion, you can be reasonably certain that its fasteners were the proper ones for the job. Check the machinery history records for any previous maintenance or modifications. If the fasteners were removed without damage and properly controlled (tagged and bagged), inspect them as described in paragraph [075-8.3](#), and then reinstall the fasteners using the installation procedures outlined in this section.

**075-7.3.3 DAMAGED FASTENERS.** If the original fasteners have been damaged, see paragraph [075-8.5](#) for thread repair procedures.

**075-7.3.4 UNREPAIRABLE FASTENERS.** For damaged fasteners that cannot be repaired, check Allowance Parts Lists to see if replacement fasteners are identified. If not on the APL, next check technical manuals or component drawings. If you have these documents, the correct replacement fastener can be determined and a new one obtained through the supply system. If you do not have these documents, inspect the original fastener for markings in accordance with paragraph [075-3.3.3](#) and Table [075-3-1](#). The markings will enable you to determine the material and grade of the previously installed fastener. If you have experienced no previous problem (leakage, breakage, or corrosion), you may use the same type fasteners as those removed as a temporary replacement fastener, while you try to obtain further documentation. If you cannot read the markings, see paragraph [075-7.3.5](#) below.

**075-7.3.5 UNIDENTIFIABLE FASTENERS.** If you cannot identify the correct fastener to be installed because: 1) the original fasteners have been lost, 2) the original fastener was not the proper one for the application, 3) the technical documentation does not have the necessary information, 4) the needed fastener cannot be identified by inspecting similar equipment, or 5) the original fasteners have no markings; refer to Section [2](#) for help in selecting an acceptable, temporary replacement fastener. Also, you may utilize the Inquiry & Technical Response Record Form (Table [075-3-7](#)) to obtain technical assistance by facsimile transmission.

**075-7.3.5.1** Determine the required fastener diameter, number of threads per inch, and length by measuring the original fastener; or measure the hole diameter, thickness of parts to be clamped, and assume a UNC Class 2A and 2B fit unless evidence indicates otherwise.

**075-7.3.6 USE OF TEMPORARY FASTENERS.** When temporary fasteners are used in accordance with paragraph [075-7.2](#), prepare a work request requesting a review of the replaced fastener at the next opportunity.

## **075-7.4 SELECTION OF PROPER THREADED FASTENER SYSTEMS**

**075-7.4.1 THREADED FASTENER SYSTEM.** There is more to most bolted joints than just a nut and a bolt. A number of different elements usually make up a particular bolted joint. The proper combination of the following basic elements, taken together, make up the fastener system for a particular joint.

- a. A capscrew, bolt, stud, or bolt-stud.
- b. One or more nuts.

- c. One or more washers.
- d. One or more threadlocking devices.
- e. One or more different chemical locking compounds.
- f. Tapped holes.
- g. Thread inserts.
- h. Design requirements for the joint such as service temperature and pressure, gasket type (sealing), gasket material "hardness", joint materials, thread engagement length available, clearance or metal-to-metal contact joint faces, location environment (weather, bilge, shock grade, fire hazard).

You must address each of the remaining topics in Section 7 to be sure that all of the required components are properly installed.

**075-7.4.2 TECHNICAL MANUALS AND SYSTEM DRAWINGS.** The first step in performing any maintenance or repair operation on a piece of equipment is to **READ THE INSTRUCTIONS**. The second step is to **FOLLOW THOSE INSTRUCTIONS**. If you have the necessary manuals and drawings, then you can proceed and expect the job to be completed successfully.

**075-7.4.3 UNAVAILABILITY OF TECHNICAL MANUALS.** If the necessary technical manuals or drawings are not available, the topics in the remainder of Section 7 will enable you to properly install a safe fastener system until you can get the required specifications and either verify that what you did was satisfactory or make the necessary changes.

## **075-7.5 LENGTH OF THREAD PROTRUSION**

**075-7.5.1 MINIMUM THREAD PROTRUSION.** A minimum thread protrusion length is given to ensure that all the threads are engaged. This is required to ensure a full-strength fastener. Equipment component drawings should specify the type, length, and size of bolt, stud, bolt-stud, etc. to be used to obtain the proper thread protrusion. If not specified on the drawings, threaded fasteners of commercially stocked lengths should be used. Threaded fasteners, when installed and tightened, should protrude a distance of at least one thread beyond the top of the nut or plastic insert. Excessive protrusion should be avoided, particularly when necessary clearances, accessibility, and safety are important. Thread protrusion is considered excessive if it could cause damage to machinery or harm to personnel. Where practicable, the number of threads protruding should not exceed five. In no case should thread protrusion exceed ten threads. In the case of a stud, excessive thread protrusion may indicate that the stud has not been properly driven in the blind hole. In self-locking nuts where the distance from the top of the nut to the locking element (plastic insert) is equal to or greater than the chamfer, the bolt or stud end may be flush with the top of the nut. For existing or reused fasteners where the thread protrusion exceeds 10 threads, verification should be made that the proper length fastener was installed. For existing installations utilizing standard nuts, acceptable minimum thread protrusion would be where the male thread, below any unthreaded chamfer or crown, is flush with the top of the nut. Washers should not be added to reduce protrusion except as specifically required by equipment component drawings or technical manuals. If minimum thread protrusion is not met, the bolt or stud shall be replaced with an identical but longer bolt or stud and the appropriate documentation issued by the activity causing the correct Technical Variance Document (TVD) changes.

**075-7.5.2 MAXIMUM THREAD PROTRUSION.** There is no maximum thread protrusion from the standpoint of the function of the fastener. Obviously, too much is a waste of material and weight. There is also a safety problem from long, sharp, threaded rods sticking out from equipment, and protruding threads can get in the way

of other parts of the equipment. A good rule to follow is to always use the shortest standard length fastener that gives a minimum one thread protrusion. Small and/or short bolts come in 1/8- or 1/4-inch increments. As the fastener gets larger and longer the increments change to 1/2 inch. Up to a five-thread protrusion from a fastener is certainly reasonable, you shouldn't take a hacksaw to it for that; but if you have ten or more threads, you could probably have done a better job of selecting the length. There is no requirement to reduce the length of protrusion of existing fasteners before reinstalling them. There is also no reason you cannot cut off excess protrusion if it is obviously too long or in the way. However, you cannot use washers solely to reduce thread protrusion.

## **075-7.6 DEPTH OF ENGAGEMENT FOR STUDS AND CAPSCREWS**

**075-7.6.1 DETERMINING REQUIRED DEPTH OF ENGAGEMENT.** The proper depth of engagement for studs and capscrews depends on several factors. The primary consideration is the relative strength of the stud and the material into which it is set. The set depth has to be greater when you are setting a high strength stud, such as ASTM A354 grade BD or K-Monel, into mild steel than when you are setting it into HY-80, if you want to develop the full strength of the fastener. Likewise, you do not need as great a set depth when you are setting a low-strength fastener into high-strength material; however, the set depth does have to be deep enough to grab enough of the stud threads to develop the full stud strength.

**075-7.6.2** Where specific data is not available from equipment manuals or drawings, use of Table [075-7-1](#) and the following procedure from FED-STD-H28 is recommended:

- a. When the ultimate strength of the stud or capscrew and the tapped hole material are similar, use the dimensions given in Table [075-7-1](#).
- b. When the ultimate strength of the stud or capscrew and the tapped hole material are dissimilar, determine the material strength ratio  $R_2$  where:

$$R_2 = \text{tensile strength of tapped material over tensile strength of screw material}$$

If  $R_2$  is less than  $R_1$  in Table [075-7-1](#), multiply the required length of engagement given in Table [075-7-1](#) by  $R_1/R_2$ . The tensile strength of fasteners made of various materials is given in Table [075-3-1](#) of Section 3 of this chapter.

## **075-7.7 SQUARENESS OF SPOTFACE WITH HOLE**

**075-7.7.1 FASTENER-BENDING LOADS.** The bearing surface of bolt heads and nuts should always set flat on the bearing surface of the component in which they are used to keep from putting a bending load on the bolt. Bolts and studs do not take bending loads well. If a fastener already has a large tensile load, the addition of a relatively small bending load can cause it to fail. Small bending loads can result in large reductions in fastener fatigue life.

**075-7.7.2 EFFECT OF BEARING SURFACE ON TORQUE LOAD.** If the bearing surface is not square with the bolt hole, the bearing load will be uneven and may cause local galling or compression failure of the material. This will increase the force required to turn the fastener and also make it more difficult to develop the proper clamping force. It can also contribute to increased bending loads.

**Table 075-7-1. REQUIRED DEPTH OF ENGAGEMENT FOR TAPPED HOLES**

Thread Designation	Minimum Required Length of Engagement	*R <sub>1</sub>
1/4-20 UNC 2A	0.1566	0.8552
5/16-18 UNC 2A	0.2037	0.8723
3/8-16 UNC 2A	0.2466	0.8745
7/16-14 UNC 2A	0.2891	0.8677
1/2-13 UNC 2A	0.3331	0.8743
9/16-12 UNC 2A	0.3765	0.8737
5/8-11 UNC 2A	0.4163	0.8704
3/4-10 UNC 2A	0.5064	0.8778
7/8-9 UNC 2A	0.5957	0.8781
1-8 UNC 2A	0.6814	0.8728
1-1/8-7 UNC 2A	0.7609	0.8634
1-1/4-7 UNC 2A	0.8576	0.8766
1-3/8-6 UNC 2A	0.9270	0.8618
1-1/2-6 UNC 2A	1.0233	0.8719
1-3/4-5 UNC 2A	1.1801	0.8599
2-4.5 UNC 2A	1.3438	0.8586
2-1/4-4.5 UNC 2A	1.5334	0.8711
2-1/2-4 UNC 2A	1.6913	0.8649
*R <sub>1</sub> Shear Stress Area Ratio R <sub>1</sub> = Shear Area of External Threads over Shear Area of Internal Threads		

## 075-7.8 HEX-HEAD BOLTS AND CAPSCREWS

075-7.8.1 DIFFERENCES BETWEEN HEX-HEAD BOLTS AND CAPSCREWS. Bolts are intended for use with nuts. Hex-head bolts are the most common type although occasionally a square head bolt may be used in some applications. In general, square-head bolts are usually used only as cheap, low strength, temporary fasteners during ship construction. Do not install bolts into tapped holes, use a capscrew. Hex head capscrews are similar in appearance to hex head bolts but have tighter manufacturing controls on straightness and alignment of the bearing surface with the thread centerline. This is done to make it easier to screw the capscrew into a tapped hole and, as discussed in paragraph 075-7.7.1, minimize the bending moment on the fastener. Often capscrews are more readily available and less expensive than bolts. Accordingly, capscrews can be substituted for bolts of the same material. However, bolts should never be substituted for capscrews.

075-7.8.2 TYPES OF BOLTS. Bolts come in six basic configurations as shown in Figure 075-7-1; roll-formed threads over their entire length, 2) cut threads over their entire length, 3) roll-formed threads on the end with a reduced shank diameter equal to the thread pitch diameter, 4) cut threads on the end with a full diameter shank, 5) cut threads on the end with the shank diameter reduced to the thread root diameter, and 6) cut threads on the end with an axial hole drilled through the head and down through the unthreaded portion of the shank to the beginning of the threads. Some of these configurations may also have a larger head-to-shank fillet radius and a more gentle transition from threads to shank. Be particularly careful not to interchange these different types of bolts, especially when working on engine cylinder head and bearing bolts, turbine casing bolts, or on foundation or hull integrity bolts. See paragraph 075-2.9.2 for a discussion on uniform or constant strength fasteners.

075-7.8.3 THROUGH BOLTS. The majority of bolts are used as through bolts; that is, they are inserted through the bolt holes of two or more items with the bolt head on one side and a nut on the other.

075-7.8.4 CAPSCREWS IN THREADED HOLES. There are many applications in which capscrews are installed in drilled and tapped holes. However, there are four major concerns associated with these applications.

- a. Ensuring adequate depth of thread engagement.
- b. Not bottoming or shouldering the bolt.
- c. Not stripping or otherwise damaging the threads in the tapped hole.
- d. Making sure that the hole is bottom-tapped and clean of all chips, dirt, and liquids.

075-7.8.4.1 Selecting Proper Screw Length. The first two concerns involve selecting the proper screw length. Make sure that you use a screw that is long enough to meet the minimum thread engagement required for the application (see paragraph [075-7.6](#)), and yet not be bottomed out in the hole before developing the proper clamping force. Remember that, if you cut off part of the end of a screw to prevent it from bottoming, you may have to run the threads further up the shank to prevent shouldering the screw when you tighten it. Note that you cannot satisfactorily extend roll-formed threads by cutting as the shank is too small in diameter and the shallow threads that you do cut will weaken the fastener. Also, some screws are hardened after threading and any additional threading may not be practical.

075-7.8.4.2 Preventing Damage to Tapped Threads. The next concern, that of not damaging the tapped threads, is the driving force behind the requirement to use studs. If you use a stud, make sure that the hole is drilled and tapped deep enough and that the stud is set deep enough before the equipment parts are assembled. Then, if you have to disassemble the equipment, you do not have to remove the stud and run the risk of ruining a tapped hole which you may not be able to repair.

075-7.8.4.3 Cleaning the Tapped Hole. The last concern is to make sure that the hole is clean, all of the threads are sound, and full threads extend to the bottom of the hole. This may be difficult to do in some applications; you may need to use a bottoming tap. Make sure that you are using the proper tap for the specified thread fit. For example, in the case of a 1/2-inch coarse thread hole, there are five different tap diameters available: class 1B, 2B, 3B, NC5 IF, and NC5 INF. Each of these taps is designed to produce a particular class of thread fit. Note that starting, plug, and bottoming taps do not produce different classes of fit, they only offer different tapers on the end to assist in starting the tap. See paragraph [075-8.5](#) for a discussion on cleaning up the various thread fits. After all thread inspection and repair has been done, clean the hole with an appropriate solvent and use a blow gun to dry it out.

075-7.8.4.4 Use of Thread Locking, Lubricating, and Antiseize Compounds. Determine whether or not a chemical thread-locking compound will be needed. If it is needed, keep the hole clean and oil-free. The wet locking compound will serve as a thread lubricant while tightening the fastener. If no chemical locking compounds will be used, then either a thread lubricant or a combination lubricant and antiseize compound will be required. See paragraph [075-4.6](#) for information on proper thread lubricants and antiseize compounds.

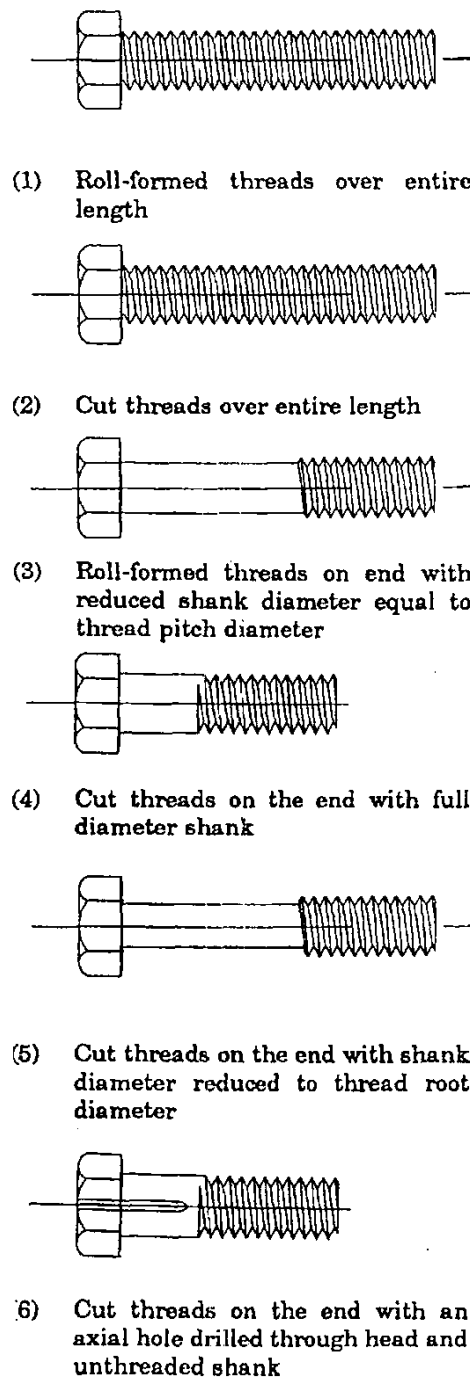


Figure 075-7-1. Types of Bolts

## 075-7.9 FITTED BOLTS

075-7.9.1 WHY AND WHERE THEY ARE USED. Fitted bolts are special bolts designed to maintain equipment alignment and/or resist high shear loads. These bolts have a smoothly machined shank which is larger in

diameter than the bolt threaded portion. For some applications that do not require a precise fit, a bolt with cut threads can be used, as the unthreaded shank of these bolts is slightly larger in diameter than the threaded portion (bolts with roll-formed threads cannot be used as fitted bolts due to their reduced diameter shank). Bolt-studs could also be used for these applications; however, it is not common practice.

**075-7.9.2 HOLE PREPARATION.** Bring the equipment into proper alignment and lock it in that position using the standard fasteners (bolt-studs and nuts). Drill the hole for the fitted bolts one drill size smaller than the desired fitted bolt size. A drill fixture should be used to make the holes square with the bearing surface. Then use either an expansion reamer or a series of straight reamers (ones with a slight taper on the starting end) to true up the holes and enlarge them to the desired size. Make sure that the final reaming is done with the material around the hole at room temperature.

**075-7.9.3 FITTED BOLT PREPARATION.** Measure the diameter of the previously prepared hole and have the machine shop prepare a fitted bolt in that same size for a size-on-size drive fit, or smaller, as required, to provide the desired clearance. If a precise fit is required, make sure that all final machining is done with the material at room temperature.

**075-7.9.4 ALTERNATE FIT UP PROCEDURE.** Where standard size fitted bolts are available or where regular cut thread bolts are to be used, ream the hole to suit the bolt size. If you have easy access to the hole and it is easy to ream, you may want to fit the hole to the bolt in any case.

## **075-7.10 BOLT-STUDS**

**075-7.10.1 WHY AND WHERE THEY ARE USED.** Bolt-studs can generally be used anywhere a bolt can be used. They are usually easier to install in tight quarters. Their primary advantage over bolts is greater fatigue resistance and higher absorption capability under high shock loads.

**075-7.10.2 TYPES OF BOLT-STUDS.** Bolt-studs come in five basic configurations (see Figure [075-7-2](#)); 1) continuously threaded from end-to-end with roll-formed threads, 2) continuously threaded with cut threads, 3) roll-formed threads on each end with the unthreaded shank diameter in the middle equal to the thread pitch diameter, 4) cut threads on each end with a full diameter unthreaded shank in the middle, and 5) cut threads on each end with the unthreaded shank in the center reduced to the thread root diameter. Be particularly careful not to interchange these different types of bolt-studs, especially when working on engine cylinder head and bearing fasteners, or on foundation or hull integrity fasteners. See paragraph [075-2.8.2](#) for a discussion on the relative strengths and energy absorption capabilities of the five different types of bolt-studs shown in Figure [075-7-2](#).

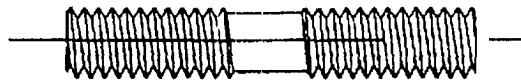
**075-7.10.3 TIGHTENING.** When determining the length of a bolt-stud for a particular application, be sure to allow enough extra length for a temporary jam nut on one end. When you try to tighten a bolt-stud with a nut on each end, especially self-locking nuts, one nut will always thread on first. That nut will then become easier to turn and the other nut will not go on any further. At this point, run the first nut on far enough to allow a jam nut to be installed. Tighten the jam nut against the permanent nut and treat the assembly as if it were a bolt head. You will then be able to run the other nut on the other end and tighten it while holding the jam nut with a wrench. After tightening, remove the jam nut without disturbing the inner nut.



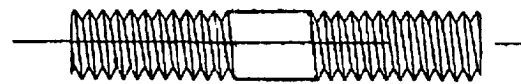
- (1) Continuously threaded from end-to-end with roll-formed threads



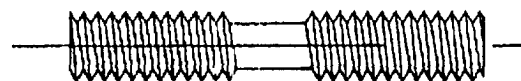
- (2) Continuously threaded with cut threads



- (3) Roll-formed threads on each end with unthreaded shank diameter equal to thread pitch diameter



- (4) Cut threads on each end with full shank diameter



- (5) Cut threads on each end with unthreaded shank equal to thread root direction

Figure 075-7-2. Types of Bolt-Studs

## 075-7.11 STUDS

075-7.11.1 WHY AND WHERE THEY ARE USED. The choice of using a stud instead of a bolt is a serious decision for the equipment designer. A stud is stronger than a bolt and its use is less likely to lead to equipment damage during maintenance (stripping or cross-threading) than a bolt. Studs generally have a slightly better energy absorption capability and hence a better resistance to shock than do bolts or capscrews. See paragraph [075-2.9.2](#) for a discussion on uniform strength fasteners.

075-7.11.2 TYPES OF STUDS. Studs come in five basic configurations: 1) continuously threaded from end-to-end with roll-formed threads, 2) continuously threaded from end-to-end with cut threads, 3) roll-formed threads on each end with the unthreaded shank diameter in the middle equal to the thread pitch diameter, 4) cut threads on each end with a full diameter unthreaded shank in the middle, and 5) cut threads on each end with the unthreaded shank in the center reduced to the thread root diameter. There may be some applications where noncontinuously threaded studs will have a coarse thread on one end and a fine thread on the other. Where studs are set with class 5 interference fit threads, the set end will have the class 5 fit and the nut end will have a class 2 fit or sometimes a class 3 fit; this includes both the continuously threaded and noncontinuously threaded types. Studs are marked on the nut end and must be installed so that the marking is visible when the stud is set. See paragraph [075-2.9.2](#) for a discussion on the relative strengths and energy absorption capabilities of the different types of studs.

075-7.11.3 SETTING STUDS. There are two reasons for setting studs: 1) to prevent them from loosening during equipment operation (it does no good to use a locknut if you do not lock the stud into the tapped hole), and 2) to prevent them from coming out when you remove the nut (studs are used to prevent damage to tapped holes in equipment that could result from frequent removal of capscrews. For applications above the temperature limit for chemical thread locking compounds specified in paragraph [075-5.7](#), studs should be set with either a class 5 interference fit or if specified on the applicable drawings, by bottoming the stud. Class 5 fit studs are difficult to set properly, therefore, a chemical thread locking compound should be used instead of a class 5 fit when the temperature requirements for the allowed thread locking compounds specified in paragraph [075-5.7](#) are met.

075-7.11.3.1 Class 5 Fit. Preparing class 5 fit studs and tapping their holes is a job for someone with experience in this type of work. Except for emergency situations where you do not have any choice, leave this job for an expert. Where class 5 fit studs must be used, care must be taken to ensure that the proper thread fits are achieved or else the stud will either back out of the hole in service or seize before it is driven completely in. It is also very important that the hole to be tapped is drilled square with the mating surface. This means using a drill fixture to align and support the drill. You cannot do this with a hand-held drill. After drilling the hole, leave the drill motor in place and hold the tap in alignment with a lathe center drill installed in the drill chuck, or better yet, get the machine shop to make you a centering tool by machining a point on a short piece of 1/4 inch rod. Then start the tap with a wrench and maintain the alignment by following the tap down with the drill and centering tool. There is probably no practical way to cut satisfactory class 5 fit threads on a stud using hand tools unless you have a high-quality die of the proper class and a die handle with a precise alignment collar. If you have access to more sophisticated drilling and threading equipment, use it.

075-7.11.3.1.1 There are many classes of interference fit threads. The proper combination of class and material must be used. Failure to do this may result in serious damage such as not being able to drive the stud deep enough, followed by breaking the stud off in the hole when you try to remove it. Paragraph [075-2.3.2.2.1](#) identifies recommended fits.

075-7.11.3.2 Nonstandard Class 5 Fit Threads. Be alert for nonstandard class 5 fit threads. A number of shipyards and repair facilities developed their own class 5 fit taps and dies before the current handbook H-28 and ASME standards were developed. If you have access to thread gauges and are familiar with their use, measure the existing hole threads and repair them as required. If not, you can use the standard class 5 taps and dies to determine what you have within reasonable limits. Start with the largest die or smallest tap and see if they will remove any metal. If they do not, change to the next size and try again. If the next size removes some metal, stop and go back to the last size as that is probably what you now have. Determine the material you have and use paragraph 075-7.11.3.1.1 to determine what fit you should have on the stud. Next, either install the stud if everything is within limits, or modify the stud and/or hole as required to meet the specified dimensions.

## **075-7.12 USE OF FLAT WASHERS**

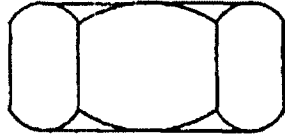
075-7.12.1 GENERAL. The bearing surfaces of most shipboard nut and bolt heads are washer faced and therefore do not require separate washers. However, where oversized or slotted holes are used for adjustment; thick, hard washers which cannot be deformed should be used. Some soft materials or thin-sheet metal covers will also require washers to distribute the bolt loads over a larger area. Here also, the washer must be thick enough and hard enough to distribute the load without being deformed itself. Some high-strength fasteners use a very thick, hard, slightly cup-shaped washer (belleville washer) to provide better preload control and some thread-locking capabilities.

075-7.12.2 WASHERS FOR EQUIPMENT WITH SLIDING FOOT FASTENERS. Be careful when you are working with equipment holddown fasteners located in slotted or oversize holes designed to allow for thermal expansion of the equipment. These applications will have some sort of a bushing in the hole which is designed to permit tightening of the nut without restricting the sliding movement of the equipment. These bushings are often custom-fitted and must be checked to ensure that the equipment is still free to slide after the fastener is tightened. For these applications, a thick, hard washer is required so it cannot be forced down over the bushing, causing binding when the sliding foot tries to move.

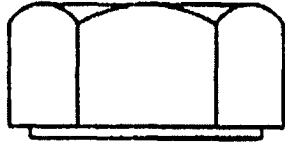
## **075-7.13 INTERCHANGEABILITY OF NUTS**

075-7.13.1 GENERAL. Many nut standards for plain hexagon nuts (see list below) do not distinguish between nuts that are "double chamfered" and those that are "washer faced" (see Figure 075-7-3). Therefore, when nuts are ordered from these standards either configuration may be received. However, the two configurations are completely interchangeable and substitution may be made without requesting prior authorization. The washer faced nut should be installed with the washer face toward the bearing surface.

075-7.13.2 STANDARDS FOR PLAIN HEXAGON NUTS WITH THE SAME PART NUMBER FOR DOUBLE CHAMFERED AND WASHER FACED CONFIGURATIONS. The following standards for plain hexagon nuts lists the same part number for both the double chamfered and washer faced configurations: MS35690, MS35691, MS51471, MS51472, MS51473, and MS51971.



DOUBLE CHAMFERED



WASHER FACED

Figure 075-7-3. Nut Configurations

## SECTION 8

### THREADED FASTENER INSPECTION AND REPAIR

#### 075-8.1 GENERAL

075-8.1.1 This section covers the inspection and repair of threaded fasteners on board ship. Some threaded fasteners, such as equipment holddown fasteners and hull integrity fasteners, require periodic inspection for proper torque and overall condition. In general, fasteners are not removed for inspection unless the joint has to be disassembled for other reasons. All fasteners removed during overhaul and repair operations should be cleaned and inspected prior to reinstallation. Damaged fasteners found during inspection should be discarded and replaced with new ones. If no spares are available, temporary repairs should be accomplished as described in paragraph 075-8.5. When fasteners are removed during equipment overhaul or repair, or for inspection, and are to be reused; a suitable control system for their identification, stowage, and handling must be used (i.e., tag and bag). This is important as some constant strength fasteners used for equipment holddown, or other applications designed for high shock, are very similar in appearance to standard fasteners (see Section 3 for further information on identification of constant strength fasteners).

#### 075-8.2 INSPECTION OF INSTALLED THREADED FASTENERS AND JOINTS

075-8.2.1 GENERAL INSPECTION. Inspect threaded fastener joints for missing fasteners or locking devices and for overall condition and tightness. Check for fasteners that are bent or cocked with respect to the hole centerline. Check for obvious looseness and, where required, check for proper torque. Joints that have fasteners of more than one material are not acceptable. Figure 075-8-1, Fastener Replacement Decision Tree, shall be used by ship's force to determine if a discolored or rusted fastener requires replacement.

075-8.2.1.1 Acceptance criteria for threads and self-locking fasteners:

- a. Cracks are not acceptable.
- b. Broken, chipped, or missing threads are not acceptable.
- c. Isolated minor defects are allowed. An isolated minor defect is a single nick, gouge, or flattened thread, (after removal of sharp edges and raised metal) that has a depth greater than 1/64 inch but less than 1/2 the thread height (depth) and a width less than the thread spacing (pitch). Defects less than 1/64 inch may be ignored.
- d. An isolated minor defect that exceeds the width criteria is acceptable when the total length of the defect does not exceed 15% of one thread length in any one complete thread. One complete thread or one thread length is defined as one complete rotation (360 degrees on a single thread), starting at a point along the thread.
- e. Any combination of minor defects is acceptable when the total combined length of the defects does not exceed 15% of one thread on one complete thread.
- f. Clearance fit threads must engage by hand.
- g. Self-locking fasteners must have a positive reinstallation torque. Cuts or tears in self-locking elements which are deeper than the existing thread impressions are not acceptable.

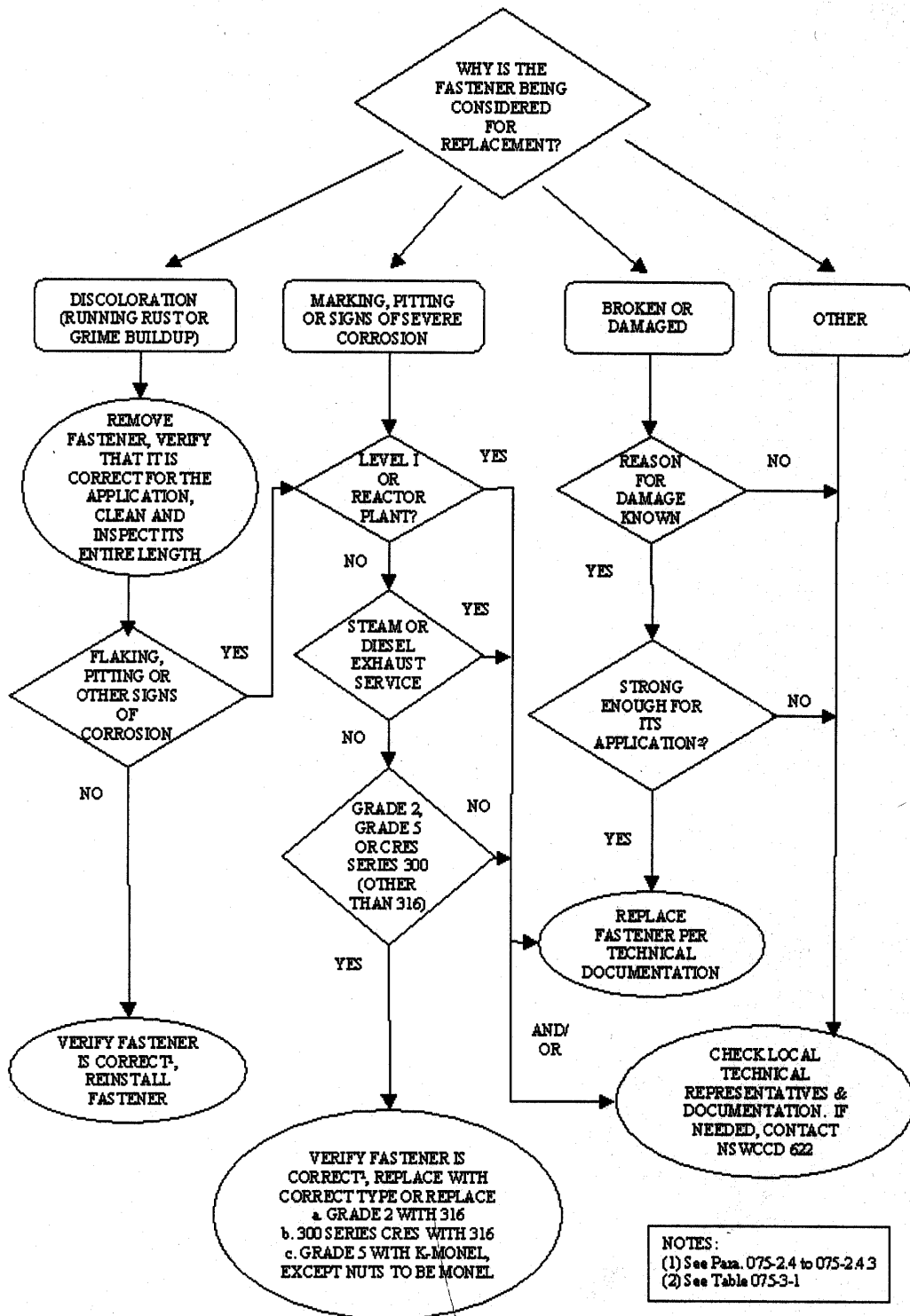


Figure 075-8.1. Fastener Replacement Decision Tree.

**075-8.2.2 RUST AND CORROSION.** Check for corrosion of the entire joint area as well as the fastener shank, threads, heads, and the nut (if installed). A surface layer of rust or corrosion on a fastener is no cause for alarm but excessive corrosion may indicate a weakening of the fastener. Surface rust or corrosion should be removed and the affected areas represerved. Fasteners that have spalled areas or are pitted should be replaced.

**075-8.2.3 THREAD PROTRUSION.** Check to see that at least one thread protrudes beyond the top of the nut. See paragraph [075-7.5.1](#) for a detailed discussion. Thread protrusion is also acceptable if the male thread, below any unthreaded chamfer or crown, is flush with the top of the nut. Excessive protrusion should be avoided, particularly when necessary clearances, accessibility, and safety are important. In the case of a stud, excessive thread protrusion may indicate that the stud has not been driven to its proper set depth. For existing or reused fasteners, there is no requirement to reduce the existing thread protrusion except where excessive protrusion could damage machinery or injure personnel. Generally, thread protrusion of more than 10 threads should be avoided.

**075-8.2.4 TAB WASHERS.** Inspect tab washers for missing tabs or cracks where the tab is bent, especially on the outside of the bend radius. Defective tab washers should be replaced (see [Section 5](#) for use of alternative locking devices).

**075-8.2.5 CHECKING PRELOAD.** In most cases, there is no way to accurately check the preload of an installed fastener without loosening it. However, where installed fasteners must be checked for proper torque, the only practical technique is to use a torque wrench (see [Section 4](#) for proper torquing procedures). When a loose fastener is encountered, the temptation is to simply retorque it to the specified value. This approach may be acceptable in a few noncritical cases but, unless threads are cleaned and lubricated and proper torquing procedures followed, there is no assurance that the preload will be restored. Therefore, if a fastener is loose, or if insufficient preload is suspected, remove the fastener, clean and lubricate the threads, and reinstall the fastener tightening it in accordance with the procedures in [Section 4](#). Whenever it is suspected that a fastener has been overtightened (excessively yielded), it should be discarded and a new one installed. There is no practical way to visually determine if minute cracks exist and to nondestructively determine if a fastener has been subjected to excessive strains.

### **075-8.3 VISUAL EXAMINATION OF FASTENERS PRIOR TO INSTALLATION**

**075-8.3.1 INSPECTING FOR PROPER APPLICATION TYPE.** First, check fastener for markings. See [Section 3](#) for instructions on interpreting fastener markings and information on fastener selection.

**075-8.3.2 HEAD DAMAGE.** Check for head damage. If a fastener has been used, identifying markings may have been obliterated, or the hex flats may have been rounded such that a wrench cannot tighten the fastener without slipping. If head damage is found, replace the fastener. Check the bearing surface for burrs or other damage that would increase friction when tightening. Minor damage to the bearing surface can be repaired by use of a fine stone. Be careful not to scratch or nick the fillet where the head joins the shank. If severe damage exists, replace the fastener. Check the fillet where the head joins the shank for cracks or nicks. If any are found, replace the fastener.

**075-8.3.3 RUST OR CORROSION DAMAGE.** A surface layer of rust or corrosion on a fastener is no cause for alarm, but excessive corrosion may indicate a weakening of the fastener. Surface rust or corrosion should be removed and the affected areas represerved. Fasteners that have spalled areas or are pitted should be replaced. Fasteners that show signs of coating failure, rust, or corrosion and are located in a corrosion-prone area should be replaced with new fasteners of appropriate materials or fasteners with appropriate protective coatings (see [Section 2](#) for selection procedures).

075-8.3.4 OVERTIGHTENED (YIELDED) FASTENERS. Whenever you suspect that a fastener has been overtightened (excessively yielded), discard it and install a new one. There is no practical way to visually determine if minute cracks exist and to nondestructively determine if the fastener has been subjected to excessive strains.

075-8.3.5 THREAD FLATTENING. Check for thread flattening damage, where threads appear as flattened ridges instead of sharp ridges. This condition can be caused by improper installation or removal (see paragraph 075-8.5 for acceptable repair procedures).

075-8.3.6 SELF-LOCKING ELEMENTS. Check the condition of the plastic (nylon or Vespel) locking elements in self-locking nuts. Replace self-locking nuts with loose or cracked elements and nuts with cracks in the metal surrounding the element.

#### **075-8.4 ADDITIONAL EXAMINATIONS**

075-8.4.1 GALLING. If a visual inspection does not indicate any apparent damage to an externally threaded fastener, run an undamaged nut onto the threads to check for galling. Galling is the tearing of the thread surfaces to the extent that metal is built up in small mounds making any further sliding action impossible. Depending on the extent of the galling, either filing the threads with a fine tapered thread file, using a lapping compound, or using a cleanup die-nut may relieve the condition (see paragraph 075-8.5).

075-8.4.2 CHECKING SELF-LOCKING NUTS. Replace self-locking nuts which do not provide specified locking torque. Table 075-5-1 provides minimum recommended breakaway torques for previously used self-locking nuts up to 2-1/2 inches in diameter.

#### **075-8.5 THREAD REPAIR**

075-8.5.1 GENERAL. Except for minor damage which can be repaired as described herein, replace damaged fasteners if spares are available. When replacement spares are not available, temporary thread repairs may be possible. Damaged internal threads in the tapped holes of equipment or structure, depending on the extent of the damage and type of material, may either be cleaned up or permanently repaired, either by grinding out all of the old threads, plug welding the hole and retapping or by using thread inserts.

#### **NOTE**

Use of thread inserts in MIC Level I/SUBSAFE applications is prohibited unless specifically required by component drawings. Waivers of this prohibition for repair may be sought from NAVSEA on a case-by-case basis.

#### **CAUTION**

**Use of a die-nut on Ni-Cu-A (K-Monel) fasteners is not recommended as this very hard material will wear the die out quickly.**

075-8.5.2 **THREAD REWORK.** If a cleanup tap or die-nut of the appropriate size and fit is available, use it to rework slightly damaged threads and to remove stubborn foreign material where necessary.

075-8.5.3 **THREAD FILING.** Flattened or galled threads on externally threaded fasteners, depending on the extent of the damage, can sometimes be cleaned up with a fine tapered thread file. Extensive filing will reduce the strength of the fastener, but this is usually a minor consideration if less than 50 percent of the threads are involved. Be careful not to nick the root of roll-formed threads as it is the rounded and work-hardened root that gives these threads their extra strength.

075-8.5.4 **THREAD LAPPING.** For minor galling damage, apply a lapping compound to the threads and run the nut up and down on the bolt or stud several times to smooth out the surface. Be sure to clean off all traces of lapping compound from the threads and surrounding area before assembling the joint.

## **075-8.6 REWORKING OF THREADED FASTENER JOINTS**

075-8.6.1 **FASTENER REMOVAL.** All standard threaded fasteners have right-handed threads and should be turned counterclockwise to loosen except when the nut is on the back side of the machinery on which you are working, think about this for a moment. If turning the fastener is difficult due to rust or corrosion, apply penetrating oil to break down the rust and reduce thread friction so that the fastener can be removed without damage. Penetrating oils are listed in the Afloat Shopping Guide under FSC 9150. For propulsion plant equipment in nuclear powered ships, only penetrating fluid per MIL-P-24548 can be used. Apply the chemical liberally to the thread area and to the bearing surface. Try to turn the fastener and then apply more chemical and work the fastener back and forth. This will work the chemical into the thread area and you should then be able to remove it. It helps to let it soak for several hours as these chemicals will seep into the smallest cracks. If you still cannot break the fastener loose and feel that you are about to wring it off, stop and get a torque wrench. Apply about 10 percent more torque than the maximum specified for the fastener you are working on. If the fastener does not loosen, refer to Section 9 where removal of damaged or especially stubborn fasteners is detailed.

075-8.6.2 **SUBMARINE FASTENER APPLICATIONS.** General guidelines for fasteners for overhaul, repair and conversion of combatant submarines is contained in NAVSEA S9505-AM-GYD-010, Submarine Fastening Criteria (Non-Nuclear). The guidance therein does not supersede torque requirements or procedures of applicable drawings or technical manuals.

075-8.6.3 **REWORK/REPLACEMENT OF CLASS 5 INTERFERENCE FIT THREADS.** For non-high temperature applications (less than 300°F), Class 5 interference fit studs may be replaced by studs installed using anaerobic-locking compounds. For higher temperature applications, Class 5 (interference fit) studs are required unless specific approval is obtained for use of anaerobic or other thread locking compounds.

075-8.6.3.1 **Replacements Using Anaerobic Compounds.** The following procedure applies for using replacement studs installed with anaerobic compounds.

- a. Remove existing studs. Retap holes. While Class 3 threads are preferred, Class 2 threads are acceptable.
- b. Clean the hole thoroughly by repeated flushing and scrubbing with a general purpose liquid detergent (MIL-D-16791 or equivalent) and a soft wire brush. See FSC Class 7930 in Afloat Shopping Guide. Blow out all liquid, and dry with oil-free compressed air or a clean cloth.
- c. If studs are in good condition, use thread die to clean up the studs to a Class 3 (preferred) or Class 2 (accept-

able) dimensions. If studs are damaged, obtain new studs. Scrub the studs with the same detergent used to clean the tapped holes and dry with oil free compressed air.

- d. Apply primer (activator) as required. See paragraph [075-5.7.2.2](#) and paragraph [075-5.7.2.5](#) for selection of primers. Table [075-5-5](#) provides stock numbers for primers. Apply sparingly to both male and female threads in accordance with manufacturers directions.
- e. Apply anaerobic locking compound to both male and female threads. (Select anaerobic compound in accordance with the guidance in paragraph [075-5.7.2.](#)) Apply enough compound so that the gap between the male and female threads will be completely filled.
- f. Install the studs using the standout specified on the installation drawing. No lubricant is to be used as the anaerobic compound will act as a lubricant. See paragraph [075-5.7.2.9](#) for more detailed instructions.
- g. After curing is completed, ensure the studs are properly bonded by applying an inspection torque in accordance with paragraph [075-5.7.2.10.7](#).

**075-8.6.3.2 Replacement Interference Fit Studs.** Because of many slight variations in thread forms used by various activities it is not possible to provide detailed guidance for the replacement of interference fit threads. In many cases the repair or replacement of interference fit threads may be beyond forces afloat capability. The following general information applies.

- a. Reinstallation of a removed interference fit stud may sometimes be feasible. Clean tapped hole and stud in accordance with paragraph [075-8.6.3.1](#), above.
- b. Apply appropriate thread lubricant sparingly.
- c. Install studs using the standout specified on applicable drawings.
- d. Subject each stud to an inspection torque the same as for a stud set with anaerobic compound. It is recommended that the torque in Table [075-5-6](#) be used. If a torque wrench is not available, any unused (new) self-locking nut with a plastic element may be used. If a self-locking nut with plastic element is to be installed, it is recommended that the torque in Table [075-5-6](#) for Grade N Locking Compound be used. If the stud turns when the torque is applied the installation is unsatisfactory.
- e. When installations are unsatisfactory, reinstallation without use of a lubricant and a repeat of the inspection torque may be attempted. If still unsatisfactory, an oversize custom fit stud will be required.
- f. Prior to manufacturing or selecting an oversize stud, measure the tapped hole threads at three places: near the bottom, midway, and three threads from the top of the hole. Take thread readings as accurately as possible.
- g. Provide the tap hole dimensions taken above to an engineering activity (shipyard, NAVSEA) which has a copy of ASME B1.12, Class 5 Interference-Fit Thread. Ask the engineering activity to determine the major pitch diameter required to maintain the same interference as that which would be obtained using the thread forms recommended in paragraph [075-2.3.2.2.3](#)
- h. Have a stud or studs made to the required dimensions.
- i. Lubricate stud with the appropriate lubricant (see Table [075-4-3](#) for listing of lubricants).
- j. Install studs to the specified standout length.
- k. Whenever some studs are set with anaerobic compound and others are interference fit, document the installation with a sketch with each location numbered and the set end pitch diameter readings recorded.

075-8.6.4 REMOVAL AND REUSE OF ASSEMBLED STUDS. The procedure for removal and reuse of locking compound assembled studs is as follows:

- a. To remove studs which have been set with anaerobic (or non-anaerobic) locking compound, apply torque alone or in combination with chemicals or heat, as spelled out in paragraph [075-6.1.5](#)
- b. Inspect the studs for damage as outlined in paragraph [075-8.3](#) and paragraph [075-8.4](#). Discard and replace damaged studs. Also inspect the stud holes, repairing damaged threads or installing thread inserts as required (Note: If locking compound is intended for the replacement stud, use it on the thread insert as well).
- c. Brush away the old compound with a wire brush and apply proper primer for the new locking compound. Then reinstall and inspect the stud in accordance with paragraph [075-5.7.2.10.7](#).

075-8.6.5 STEPPED STUDS. If a thread insert cannot be used and a larger stud size cannot be accommodated, internal thread damage can be remedied by replacing the existing stud with a stepped stud whose set end is one size larger than the existing stud. These stepped studs will not have as much energy absorption as the standard ones they replaced. A fillet with a 1/8-inch radius should be left where the large and small shanks meet to reduce the stress concentration at that point. A slight chamfer can be machined in the opposite hole to accommodate the fillet. Remove the damaged threads in the hole by redrilling and tapping the hole to the next larger diameter. Then install the stepped stud in the normal manner. Stepped studs shall not be used in hull integrity joints, or for component or equipment bedplate or foundation holddown bolting without specific prior approval from NAVSEA for each application.



## SECTION 9

### REMOVING DAMAGED OR STUBBORN THREADED FASTENERS

#### 075-9.1 GENERAL

075-9.1.1 This section provides procedures for removing those fasteners on which all other removal methods (covered in Section 6) have failed. There will always be some fasteners that are either damaged or just stubborn, and even the best workmanship will not get them loose using normal tools and equipment. It is hoped that the procedures given here will help with those problem fasteners. For reactor plant applications, where maintenance or replacement requires the removal of stuck nuts or studs, removal shall be accomplished in accordance with the procedures provided in NAVSEA 389-0317.

#### 075-9.2 PREVENTING PROBLEMS

075-9.2.1 Paragraph 075-6.1.3 discusses preventive techniques to maximize the chances of successfully removing fasteners using normal procedures. These procedures do not guarantee success in every case, but if you follow them the chances of success will be greatly improved.

#### 075-9.3 NORMAL REMOVAL

075-9.3.1 Paragraph 075-6.1.4 gives normal threaded fastener removal procedures.

#### 075-9.4 ROUNDED-OFF NUT AND HEAD CORNERS

075-9.4.1 GENERAL. Rounded-off corners, caused by rust or abuse, are a common fastener problem. This problem can be minimized by following the precautions outlined in paragraph 075-6.1.3. When this problem does occur, try the procedures in the following paragraphs.

075-9.4.2 NUTS INSTALLED ON THROUGH BOLTS AND BOLT-STUDS. If you are working with a nut installed on a through bolt (or bolt-stud) and don't need to save the bolt (providing personnel and equipment safety will not be compromised and you are sure that the nut is steel), just burn the nut off with a cutting torch. Otherwise, use an abrasive cutoff wheel or a hacksaw. Where access permits, cut diagonally through the nut from the side and into the bolt. You can also saw down through the end of the bolt and nut or just to the side of the bolt, being careful not to cut into the flange. The space you have to work in will dictate which method to use. You can try heating the nut to expand it also. Heat the nut quickly and try to turn it before the bolt heats up. If you need to save the bolt, use the procedures listed below for nuts on studs.

075-9.4.3 NUTS ON STUDS. If you are working with a stud, you may not want to damage the stud itself. You must be careful not to bend the stud or twist it off. Try the following steps in the order given:

1. Clean dirt, paint, and rust off of the nut, especially around the threads and where the nut bears on the flange.
2. Soak the area with a penetrating liquid. See Afloat Shopping Guide, FSC 9150 for penetrants. For propulsion plant equipment in nuclear powered ships, only penetrating fluid per MIL-P-24548 can be used. Allow as much time as is possible for penetration, keeping the thread and bearing areas wet.

3. Always use a six-point box-end wrench or socket. This may work if the corners of the nut were rounded off by a twelve-point wrench. Make sure that the wrench is all the way on the nut and on straight. If using a box-end wrench, use one with the least offset and pull on it in a straight line. If using a socket, use an extension and hold the handle at the top of the extension with one hand so that there is no side force being applied to the extension, only torque. If you are not dealing with delicate machinery and can get it on the nut, try an impact wrench with its heavy duty six-point socket first.
4. If the area you are working in and the equipment will permit it, apply some heat to the nut. Heat the nut quickly and try to turn it before the stud gets hot. The heat will tend to loosen any rust or corrosion and may expand the nut enough to loosen its grip on the threads. See Step 3 and Step 8 for types of wrenches to use.
5. Once you are able to turn the nut, stop, add some penetrating oil and work the nut back and forth. This will work some lubricant into the threads and the nut will usually come off.
6. If at any point you cannot get a grip on the nut to turn it, skip to one of the more drastic procedures listed below.
7. If you can hit the nut with a hammer without damaging the stud or equipment, proceed as follows:
  - a. Find a heavy block of steel with square edges; about 10 pounds will do.
  - b. Have someone hold the block against one side of the nut.
  - c. Find a straight steel bar with one end that you can hold against the opposite side of the nut.
  - d. Drive the steel bar against the nut with a heavy machinist hammer. This may deform the nut between the bar and backup block enough to crush the rust in the thread area and allow some penetrating oil to soak in. The nut may turn then.
8. The next step is to try vise-grips or a pipe wrench, depending on the size of the nut.
9. Use of a sharp chisel is the next alternative. Hold the heavy backup block against one side of the nut and cut on the other side from the flat in towards the threads. This may spread the nut enough so that you can turn what is left of it. If you have a nut splitter tool, you can try to cut the nut with it first.
10. If the area and equipment will permit it, you can use a cutting torch to burn a steel nut off without ever touching the threads on the stud. Use a large enough tip and concentrate the preheat on the nut. If you work fast enough and hold the torch at the proper angle, the stud will not get hot enough to burn when you cut in the oxygen. Practice on some spare fasteners until you feel comfortable doing it. A hint; cut across a corner, from flat to flat, while endeavoring to avoid damaging the stud's threads. With a little practice you can destroy the nut without even nicking the stud.

075-9.4.4 CAPSCREWS. Capscrews present a somewhat different problem. If the corners were rounded off while trying to loosen the fastener, the threads may well be seized in the tapped hole. If this is the case, the fastener will probably twist off at the top of the hole. You do not want this to happen as it will be more difficult to drill out the remains of the fastener. If the corners of the head were just eaten away by rust, try some of the steps listed above for removing nuts on studs. If the threads are seized, do the following:

1. Locate the center of the head as precisely as you can. Take your time and do it carefully.
2. Determine the diameter of the shank and drill down through the head with a drill one size larger than the shank.
3. If you cannot drill the head (it may be too hard), grind it off.
4. Disassemble the equipment, if possible, and treat the fastener as a broken stud. Once you have relieved the tensile load on the capscrew by removing the head and gotten the equipment out of the way, you may be able to turn the fastener by the shank.

**NOTE**

Saving a portion of the unthreaded shank of the capscrew will allow you to find the center of the fastener for drilling it out of the hole.

**075-9.5 SEIZED THREADS**

075-9.5.1 The removal procedures for seized threads are essentially the same as those for rounded-off corners except you do not have the problem of how to turn the nut or capscrew.

**075-9.6 BROKEN STUDS AND CAPSCREWS**

075-9.6.1 GENERAL. Because both broken studs and capscrews are treated essentially the same except for class 5 fit studs or studs set with anaerobic locking compound, only studs will be referred to in the following paragraphs.

075-9.6.2 NONLOCKED STUDS. If the stud broke while tightening it, but it is not seized in the hole, you may be able to remove it with an ezy-out.

**NOTE**

If the stud is protruding enough to get a pair of vise grips engaged, try this before drilling for ezy-out.

075-9.6.2.1 Drilling an Axial Hole in a Stud. Before using the ezy-out, the first, and most important step is to find the center of the broken fastener. This is not easy as most studs break off at the top of the hole. From this location it is very difficult to find the center of the fastener. The complete diameter of the hole or the fastener cannot be seen and the spiral of the threads shifts the apparent center to one side. This is why it is so important to save some of the unthreaded shank of the capscrew to help in finding the fastener center. When you find the fastener center, carefully centerpunch it. Using a small drill bit, about one-fourth the diameter of the stud or 1/4 inch, whichever is less, drill a straight pilot hole down through the length of the stud. If the hole is not centered and you used a small drill bit, you may be able to true up the hole with a die-grinder. If possible, use a drill fixture to align the drill and hold it true with the stud centerline.

075-9.6.2.1.1 If some of the broken stud is left above the hole, use a drill guide included in a broken stud removal kit, to center the pilot hole or ask the machine shop to make one as follows:

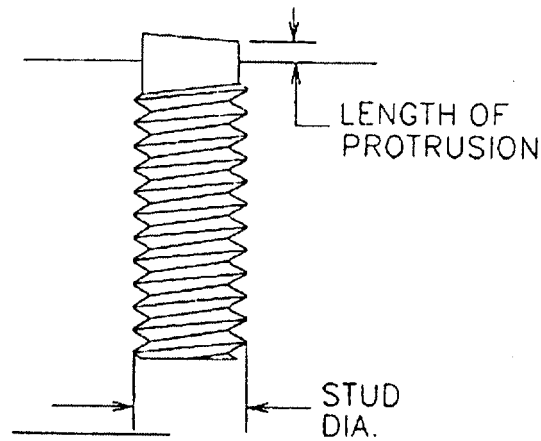
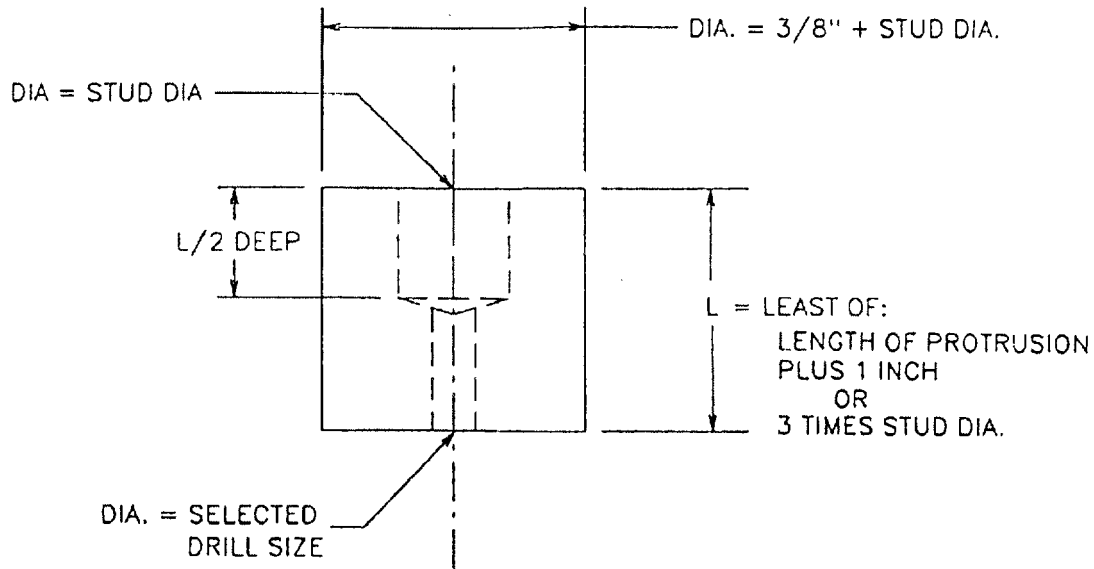


Figure 075-9-1. Broken Stud Drill Guide Removal Device

- Find a piece of steel bar stock about  $\frac{3}{8}$  inch larger in diameter than the stud and three times as long as the diameter of the stud or the length of the broken stud's protrusion plus one inch, whichever is less (see Figure 075-9.1).
- Using a lathe or a rigid clamp on a heavy duty press, drill an axial hole in one end of the bar, equal to the stud diameter, and halfway down the length of the bar.
- Without disturbing the setup holding the bar and using the drill size you plan to use for the pilot hole, drill the smaller hole the rest of the way through the bar. Then fit the guide over the broken stud and use the small hole to guide the drill. Harden the guide after you make it by preheating with a torch and quenching in water to keep the pilot hole drill from wearing out the guide; you may need it again.

075-9.6.2.2 Using Ezy-outs. If the stud broke from overtightening but the threads are not too badly seized, try using an ezy-out to remove the stud. For these applications, enlarge the hole to about three-fourths of the stud diameter using a standard tapered reamer for the last step. Since the ezy-out is tapered, tapering the hole will allow the ezy-out to distribute its grip over a much larger section of the stud. Since the ezy-out is made of high-strength material it can remove a stud that is larger than itself. A problem occurs when you have already twisted off a full-sized stud trying to remove the threaded part; you have already applied a torque equal to all that a full-sized stud could deliver. In this case, it is questionable whether an ezy-out will work, especially since the ezy-out tends to expand the stud making it fit even tighter in the hole. When you are enlarging the hole, be careful not to get it off center as you may need to drill the stud out if the ezy-out does not work. Be careful not to break ezy-out in the hole. Because the ezy-out is made of hardened material it will be very hard to drill out.

075-9.6.2.3 Drilling Out the Stud. If the stud threads are seized you will have to drill out the stud. This is rarely a completely satisfactory process as some of the threads always seem to get damaged in the process. After drilling the pilot hole to help guide the larger drill, select a drill a couple of sizes smaller than the drill size for the tapped hole. This is to allow for errors in centering the pilot hole. As you drill, examine the sides of the hole to see if you are breaking through to the threads. If you do break through, change to a smaller drill bit and complete the hole. Next, chip out the remains of the stud with a small chisel, a pick, a starting tap, or anything else that will work. If the hole is centered, drill through to the threads all the way down and the remains of the stud will unwind fairly easily.

075-9.6.2.4 Using EDM Equipment. If you are working on an expensive or difficult-to-replace piece of equipment, avoid damaging the threaded hole. Broken studs can be removed with no damage to the threads in the hole by using Electric Discharge Machining (EDM) equipment. (Note: This equipment may also be called a metal disintegrator.) The EDM works through the creation of a series of intermittent electric arcs that break down the hardest metals into very small particles. This cutting action is accomplished with an electrode in the head of the device which vibrates as it cuts. As the EDM cuts, coolant is pumped through the electrode to wash away the powdered metal. Larger repair facilities either have this equipment or can get it. It will eat out the stud, or broken tap, without touching the tapped hole internal threads. There are both portable and larger, fixed EDM machines.

075-9.6.2.5 Power Driven Broken Bolt Extractor (NSN 5130-01-387-7451). This kit can be used to remove 1/4-, 5/16-, 3/8- and 1/2-inch diameter screws. Unlike conventional extractors which require drills, center drills, center punches, hammers, and wrenches, the power driven broken bolt extractor requires only a reversible power drill. It is very effective in removing bolts and studs without damaging the threads in the hole. Since this tool can be driven by electrical power, it has the ability of applying tremendous torque during the extraction process. Essentially, this extractor has the following two main parts.

- a. The collet/extractor. This part is equipped with seven serrations, which bite onto the broken bolt.
- b. The drill tip and body. The tip is made out of high quality tool steel and is heat treated. It is able to drill into grade 8 and stainless steel bolts. The tip is equipped with self-centering feature to obtain perfect centering of the bolt. The tip is left hand cutting edge. This feature helps to loosen and sometimes even turn the bolt out during drilling. The body is short and tough. This feature helps the user control the tip with ease, while adding freedom and flexibility in close quarters. Follow instruction supplied with the kit.

075-9.6.3 CLASS 5 FIT AND LOCKED STUDS. If you have a broken, class 5 fit stud, start with the drilling procedure (paragraph [075-9.6.2.1](#)) or use EDM equipment (paragraph [075-9.6.2.4](#)) to remove the stud. If you think you may have to install an oversize stud anyway, drill a pilot hole and then drill the new size tap hole. If you have a low-temperature application and can use an anaerobic thread-locking compound, try to remove the broken stud and enlarge the hole threads to a class 3 fit. If the broken stud was locked with anaerobic compound, apply 500°F heat to the area to break down the locking compound. Then follow the procedures for nonlocked removal. If you cannot use heat, go on to the drilling or EDM procedures.

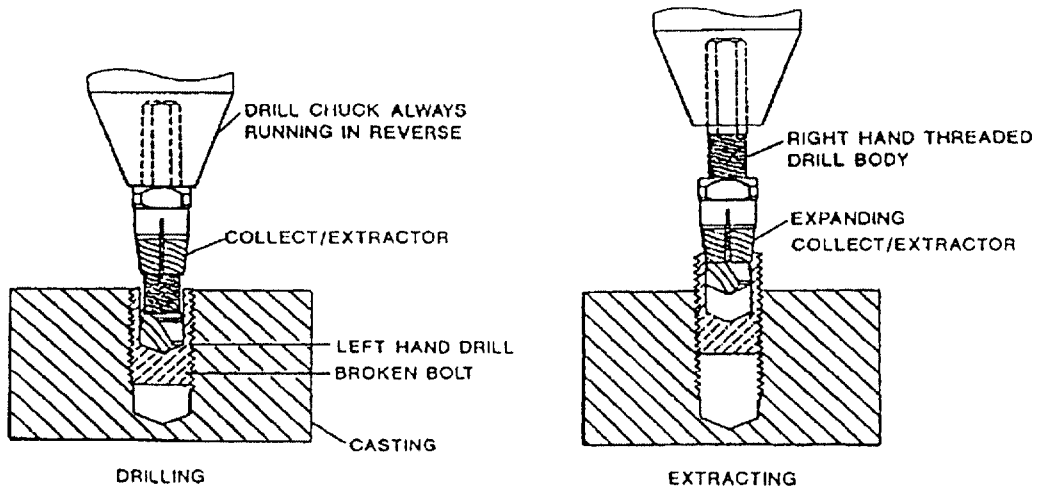


Figure 075-9-2. Broken Bolt Extractor.

**APPENDIX A****TECHNICAL MANUAL DEFICIENCY/EVALUATION REPORT (TMDER)****NOTE**

Ships, training activities, supply points, depots, Naval Shipyards, and Supervisors of Shipbuilding are requested to arrange for the maximum practical use and evaluation of NAVSEA technical manuals. All errors, omissions, discrepancies, and suggestions for improvement to NAVSEA technical manuals shall be reported to the Commander, NAVSURFWARCENDIV, 4363 Missile Way, Port Hueneme, CA 93043-4307 in NAVSEA/SPAWAR Technical Manual Deficiency/Evaluation Report (TMDER), NAVSEA Form 4160/1. To facilitate such reporting, print, complete, and mail NAVSEA Form 4160/1 below or submit TMDERS at web site <https://nsdsa2.phdnswc.navy.mil/tmder/tmder-generate.asp?lvl=1>. All feedback comments shall be thoroughly investigated and originators will be advised of action resulting therefrom.

**TMDER / MAILER**

